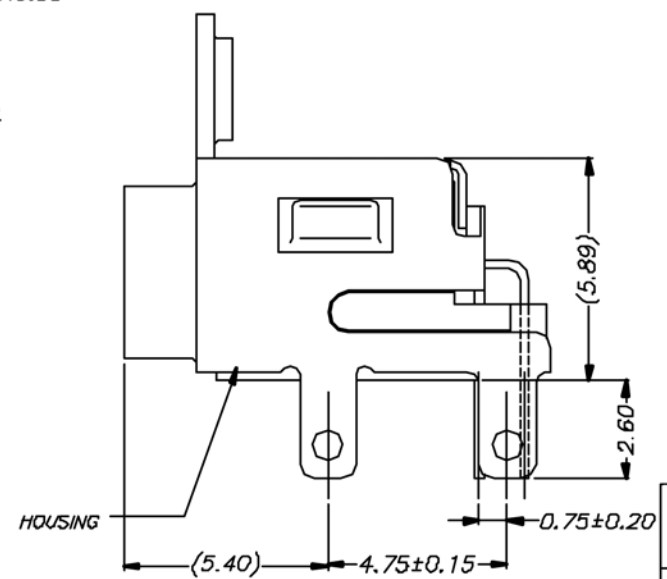
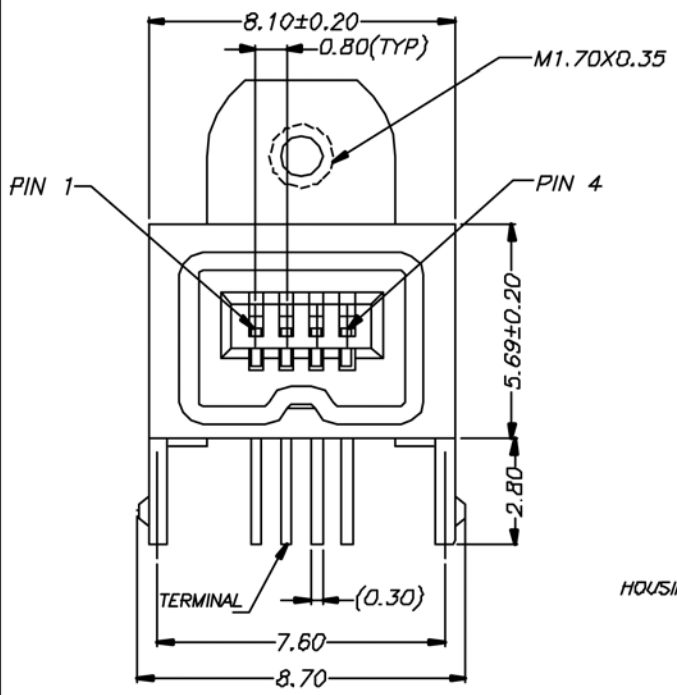
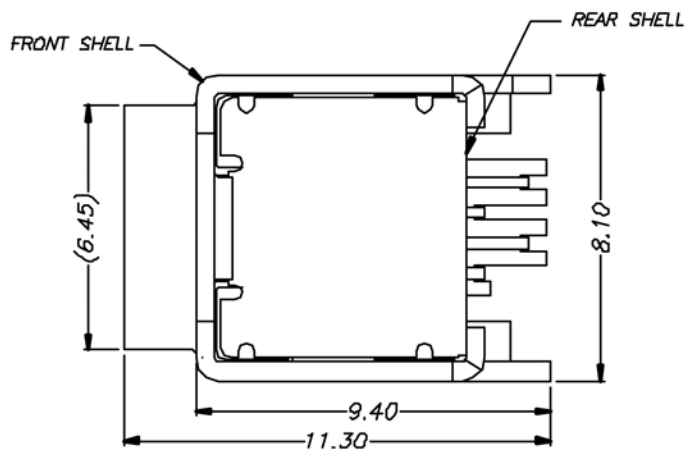
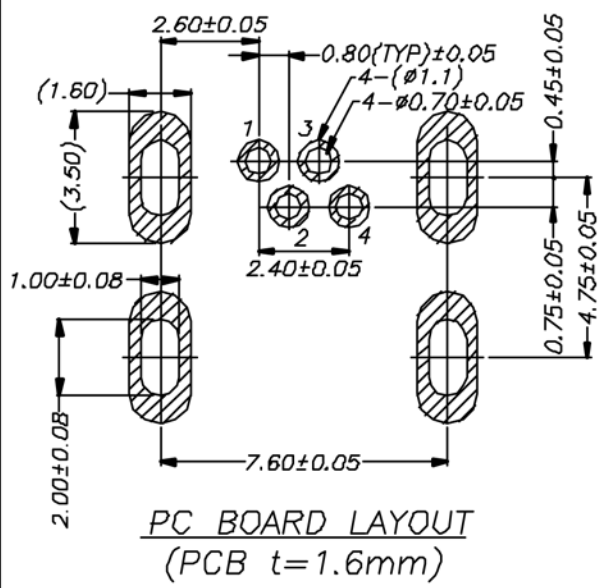


REV.	DESCRIPTION	DATE
------	-------------	------



NOTE:

1.Material:
Housing: High Temperature Polyester
G.F. UL94V-0, Color Black.
Front Shell: Steel.
Rear Shell: SUS301.
Contact: Copper Alloy.

2.Plating:
Front Shell: Tin 200u".
Contact: Au 30u".

 www.cypressindustries.com		Description IEEE1394 4P Receptacle R / A DIP Upper Flange 1.2 Pitch RoHS Compliant	
DATE	04/18/02'	Part No	REV
DWN	Evita	CC1394-32006-301	1
CHK	Allen	SCALE: 5/1	UNIT
APP	C.M. Chang	TOLERANCES	MM
		DX: ±0.50	SHEET
		DX: ±0.25	1/1
		∠: ±1°	