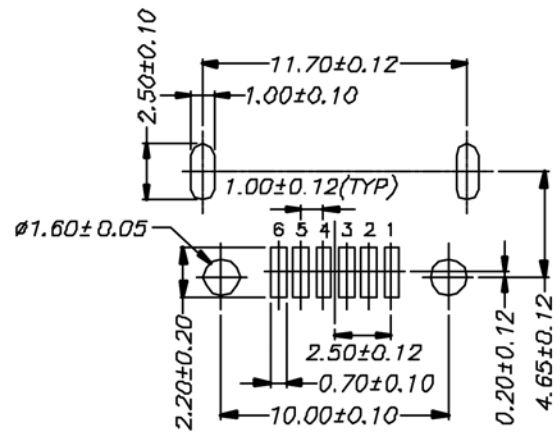
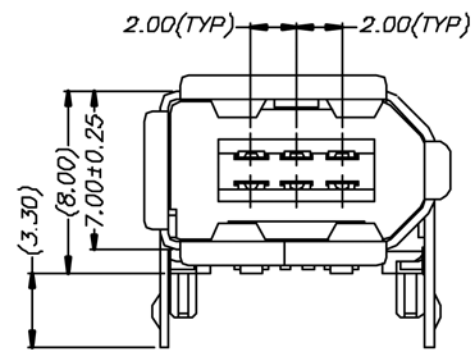
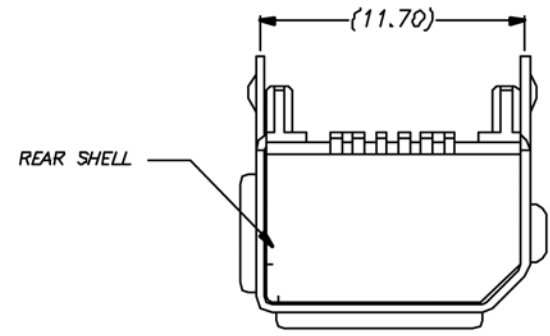
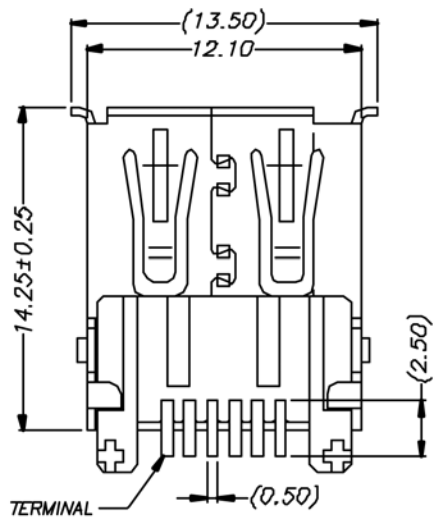
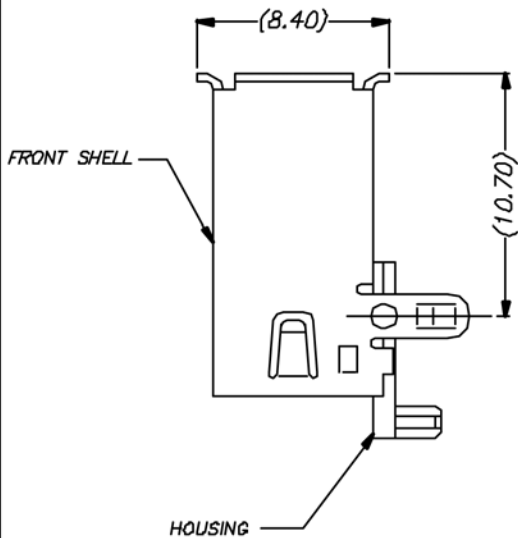



REV.	DESCRIPTION	DATE
------	-------------	------



PC BOARD LAYOUT

- NOTE:
- Material:
 - Housing: High Temperature Polyester G.F. UL94V-0.
 - Front Shell: Copper Alloy.
 - Rear Shell: Steel.
 - Contact: Copper Alloy.
 - Plating:
 - Front Shell: Solderable Nickel 60u'.
 - Rear Shell: Nickel 80u'.
 - Contact: Au 30u'.



		Description IEEE1394 6P Receptacle R / A SMT RoHS Compliant	
DATE	04/19/02'	Part No	REV
DWN	<i>Evita</i>	CC1394-32007-00X	1
CHK	<i>Allen</i>	SCALE: 3/1	UNIT
APP	<i>C. M. Chang</i>	TOLERANCES	MM
		DX: ±0.50	SHEET 1/1
		DX: ±0.25	∠: ±1°