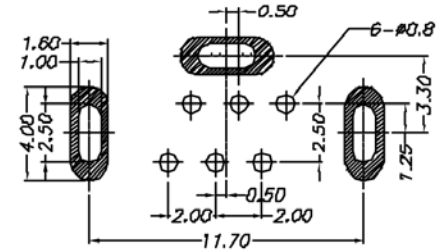
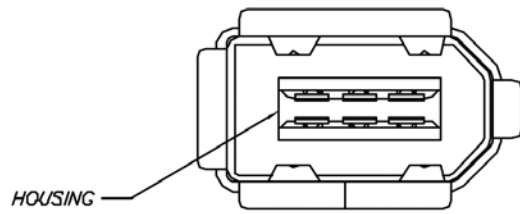
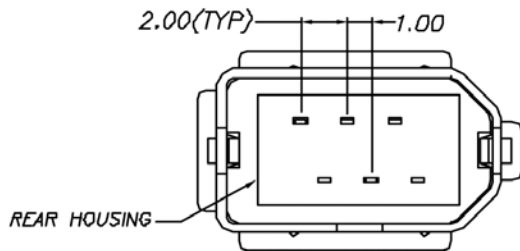
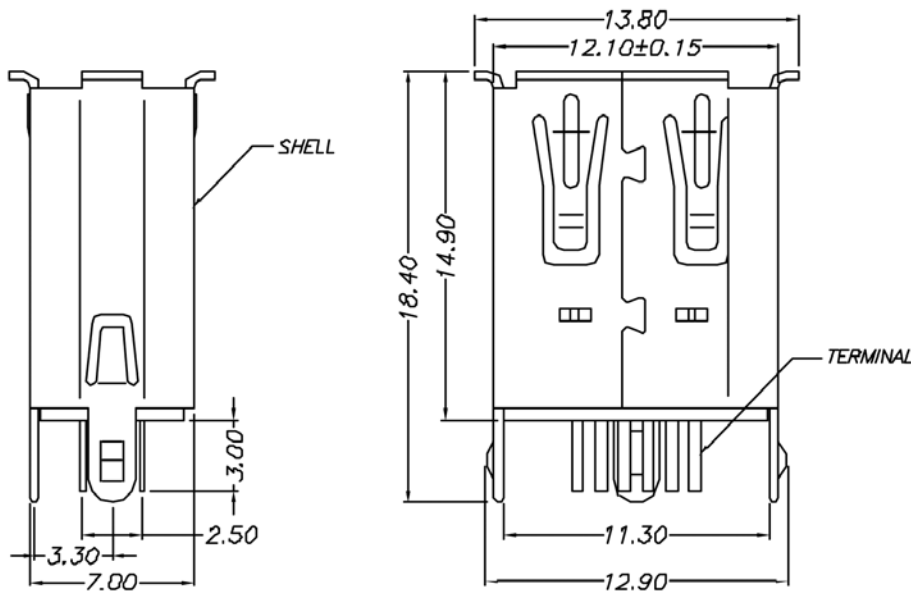


REV.	DESCRIPTION	DATE
------	-------------	------



PC BOARD LAYOUT
t=1.60mm



NOTE:
 1.Material:
 Housing: High Temperature Polyester
 G.F. UL94V-0.
 Rear Housing: PE. Color:Transparent.
 Shell: Copper Alloy.
 Contact: Copper Alloy.
 2.Plating:
 Shell: Tin-Lead 120u".
 Contact: Au 30u".

CYPRESS INDUSTRIES www.cypressindustries.com		IEEE1394 6P Receptacle Vertical DIP RoHS	
DATE	04/19/02'	PART NO	REV
DWN	<i>Extra</i>	CC1394-32007-20X	1
CHK	<i>Allen</i>	SCALE: 3/1	UNIT
APP	<i>C.M. Chang</i>	TOLERANCES	MM
		D.X: ±0.50	SHEET
		D.Y: ±0.25	1/1
		∠: ±1°	