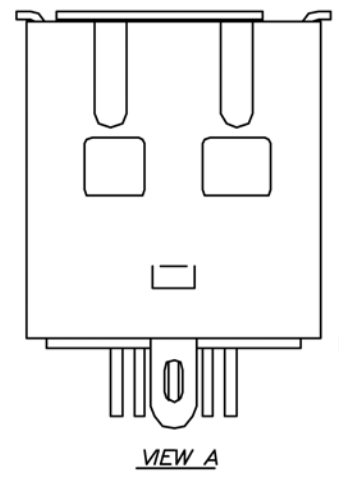
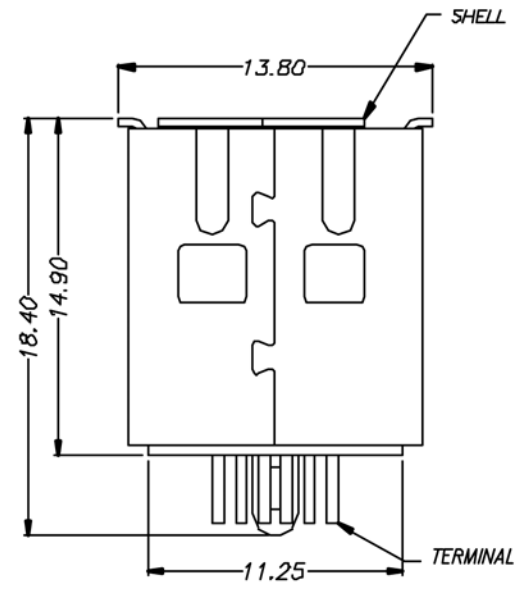
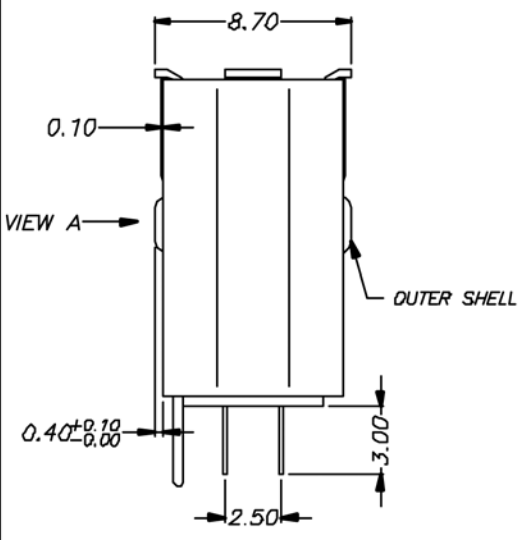
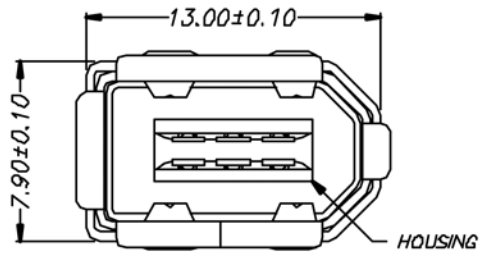
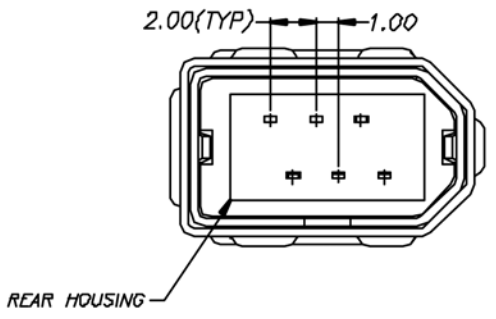

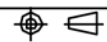


REV.	DESCRIPTION	DATE
------	-------------	------



NOTE:  
 1.Material:  
 Housing: High Temperature Polyester  
 G.F. UL94V-0,Color:Black.  
 Rear Housing: PE. Color:Transparent.  
 Shell: Copper Alloy.  
 Outer Shell: Steel.  
 Contact: Copper Alloy.



 www.cypressindustries.com		Description		
		IEEE1394 6P Receptacle Vertical Solder + Outer Shell RoHS Compliant		
DATE	04/19/02'	Part No CC1394-32007-401	REV	1
DWN	<i>Evita</i>		UNIT	MM
CHK	<i>Allen</i>	 SCALE: 3/1	SHEET	1/1
APP	<i>C.M. Chang</i>		TOLERANCES	□X: ±0.50    □XX: ±0.25    ∠: ±1°