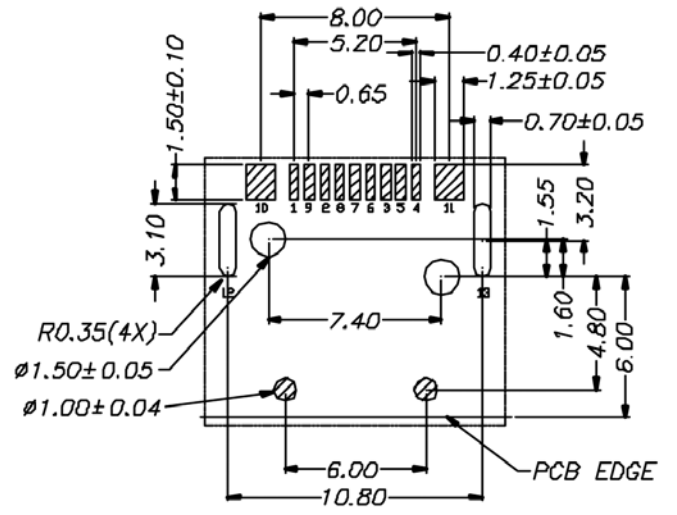
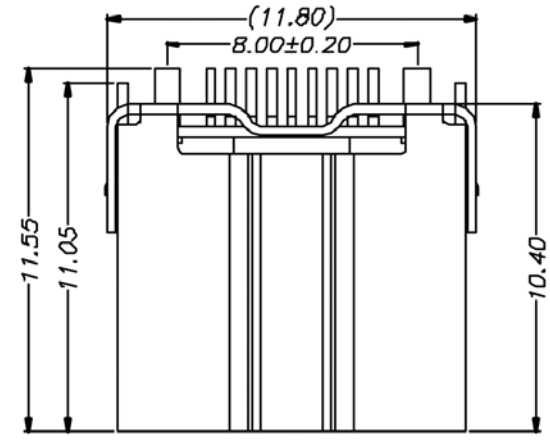
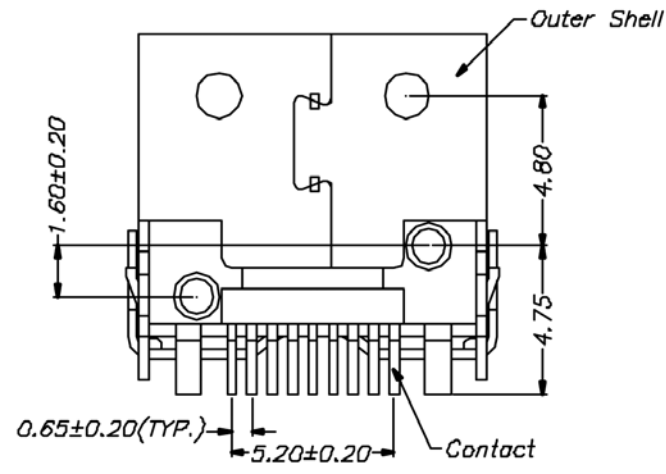
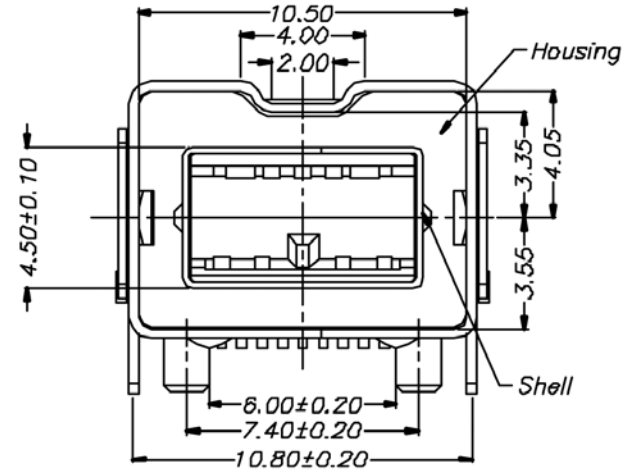
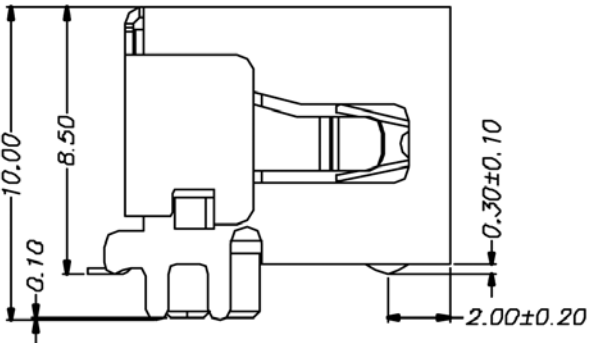


REV.	DESCRIPTION	DATE
------	-------------	------



Bilingual socket PCB footprint
SCALE 3:1

NOTE:
 1.Material:
 Housing: High Temperature Polyester G.F. UL94V-0,
 Shell: Copper Alloy,
 Outer Shell: Copper Alloy,
 Contact: Copper Alloy,
 2.Plating:
 Shell: Ni 60u",
 Outer Shell: Ni 60u",
 Contact: Au 30u".



 www.cypressindustries.com		Description		
		IEEE1394b Receptacle 9 Pin R / A SMT Bilingual RoHS Compliant		
DATE	04/22/02'	Part No CC1394-32008-00X	REV	1
DWN	Extra		UNIT	MM
CHK	Allen	SCALE: 4/1	SHEET	1/1
APP	C. M. Chang		TOLERANCES	QX: ±0.50 QXX: ±0.25 ∠: ±1°