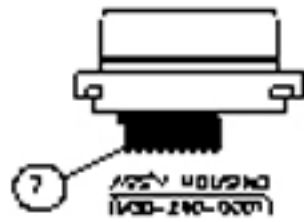
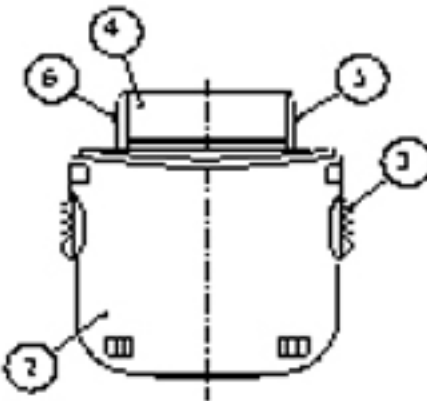
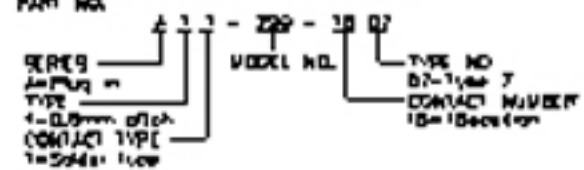


REV	DATE	BY	CHKD	DESCRIPTION
1	06/28/02	HT	CHEN	REVISED
2	08/28/02	HT	CHEN	REVISED



SPECIFICATION
MATERIAL
 See Drawing
STANDARD DATA
 Parting surface 1 GA
 Applicable to ASG/28 Max
 Operating temperature -32°C to +125°C
 Storage temperature -10°C to +85°C
ELECTRICAL
 Insulator resistance 1000V ohm Min @ 250 VDC
 Withstanding voltage 100 VAC / minute
 Contact resistance 50 m ohm Max
MECHANICAL
 Mating force 30N(3.0kgf) Max
 Inserting force (without lock) 4.5N(0.45kgf) Max
 Durability 10000 cycles Min
 Contact retention force 4.2N(0.42kgf) Min
PART NO.



CYPRESS INDUSTRIES

PLUG IN for
Solder type - 18 position

REV: 2/1
DATE: 08/28/02
BY: HT
CHKD: CHEN

TYPE NO: A11-290-1807
CUT NO: CUT-290-008

REV: A

REV	DATE	BY	CHKD	DESCRIPTION
1	06/28/02	HT	CHEN	REVISED
2	08/28/02	HT	CHEN	REVISED