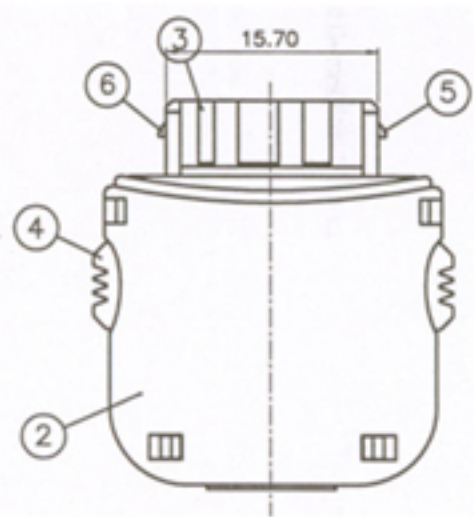


ITEM 項目	PARTS NAME 零件名稱	Q'TY 數量	MATERIAL 材質	FINISH/REMARK 處理/備註
1	TOP COVER	1	A.B.S	(Black)
2	BOTTOM COVER	1	A.B.S	(Black)
3	HOUSING	1	NYLON	UL-94V-0 (Black)
4	BUTTON	2	A.B.S	(Black)
5	LATCH(L)	1	STAINLESS	Non-plating
6	LATCH(R)	1	STAINLESS	Non-plating
7	CONTACT	24	Phosphor Bronze	Gold flash selective



**SPECIFICATION**  
**MATERIAL**  
 See drawing  
**STANDARD DATA**  
 Rating current: 0.5A  
 Applicable wire: AWG#26 Max.  
 Operating temperature: -30°C ~ +60°C  
 Storage temperature: -40°C ~ +85°C  
**ELECTRICAL**  
 Insulator resistance: 1000M ohms Min. @ 250 VDC  
 Withstanding voltage: 100 VAC / minute  
 Contact resistance: 50 m ohms Max.  
**MECHANICAL**  
 Mating force: 30N(3.06kgf) Max.  
 Unmating force (Without lock): 4.2N(0.43kgf) Min.  
 Durability: 10000 cycles Min.  
 Contact retention force: 4.2N(0.43kgf) Min

**PART NO.**  
 A 1 1 - 569 - 24 05  
**SERIES** A 1 1  
**TYPE** A=Plug in  
 1=0.5mm pitch  
**CONTACT TYPE** 1=Solder type  
**MODEL NO.** 569 - 24 05  
**TYPE NO.** 05=Type 5  
**CONTACT NUMBER** 24=24position

**CYPRESS INDUSTRIES**

A E0205-001		△ X 0			UNLESS OTHERWISE SPECIFIED TOLERANCE 尺寸公差	CHECKED 核對	DESIGNED 設計	JERRY 05/02/02*	UNIT 單位	MM	TITLE 產品名稱	Plug in connector Solder type-24 position	
REV. 版本	EON NO. 設計號碼	MARK 記號	REVISIONS 設計內容	SIGN 簽名	DATE 日期	APPROVED 核准	DRAWN 繪圖	JERRY 05/02/02*	SCALE 比例	2.5/1	PART NO. 產品編號	A11-569-2405	
						ANG. ±5°00'			SIZE 尺寸	A3	DOC. NO. 文件編號	CUT-569-008	
												REV. 版本	A