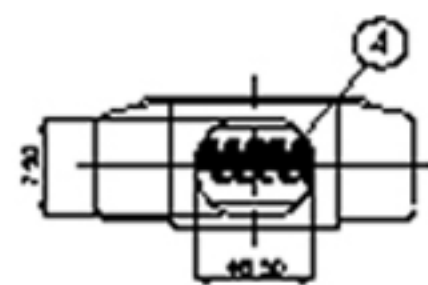
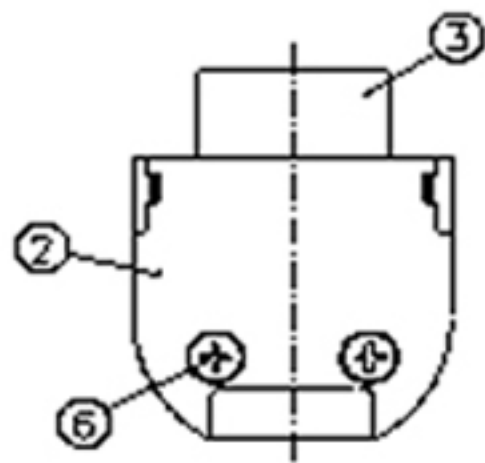
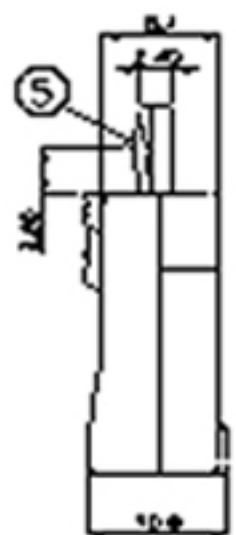
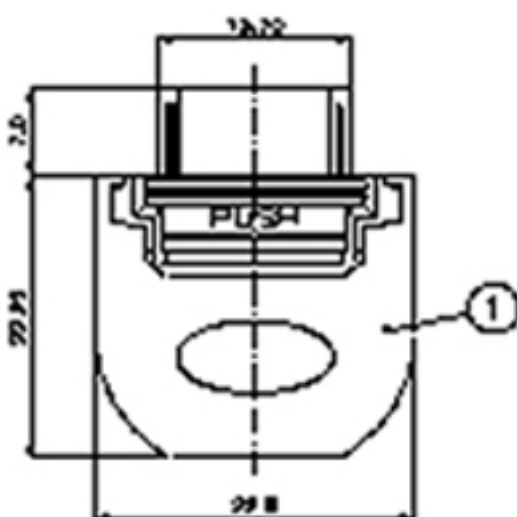
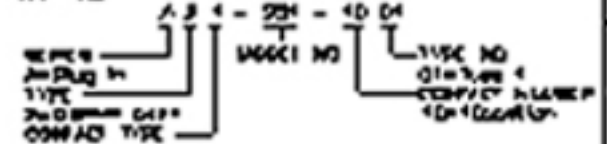


REV	DATE	BY	CHKD	APP'D
1	08/28/07	MT CHEN	MT CHEN	
2	09/28/07	MT CHEN	MT CHEN	
3	09/28/07	MT CHEN	MT CHEN	
4	09/28/07	MT CHEN	MT CHEN	
5	09/28/07	MT CHEN	MT CHEN	
6	09/28/07	MT CHEN	MT CHEN	
7	09/28/07	MT CHEN	MT CHEN	
8	09/28/07	MT CHEN	MT CHEN	



SPECIFICATION
 ELECTRICAL
 Insulation Resistance: 10000 ohms min @ 500 VDC
 Dielectric Withstanding Voltage: 100 VAC / minute
 Contact Resistance: 50 m ohms max
 MECHANICAL
 Insertion Force: 200(200)gf max
 Extraction Force: 100(100)gf max
 Contact Life: 10000 cycles min
 Contact Material: Au / Ni / Pd / Cu
 Contact Finish: Au / Ni / Pd / Cu



CYPRESS INDUSTRIES

REV	DATE	BY	CHKD	APP'D	DESCRIPTION
1	08/28/07	MT CHEN	MT CHEN		PLUG IN CONNECTOR
2	09/28/07	MT CHEN	MT CHEN		PLUG IN CONNECTOR
3	09/28/07	MT CHEN	MT CHEN		PLUG IN CONNECTOR
4	09/28/07	MT CHEN	MT CHEN		PLUG IN CONNECTOR
5	09/28/07	MT CHEN	MT CHEN		PLUG IN CONNECTOR
6	09/28/07	MT CHEN	MT CHEN		PLUG IN CONNECTOR
7	09/28/07	MT CHEN	MT CHEN		PLUG IN CONNECTOR
8	09/28/07	MT CHEN	MT CHEN		PLUG IN CONNECTOR