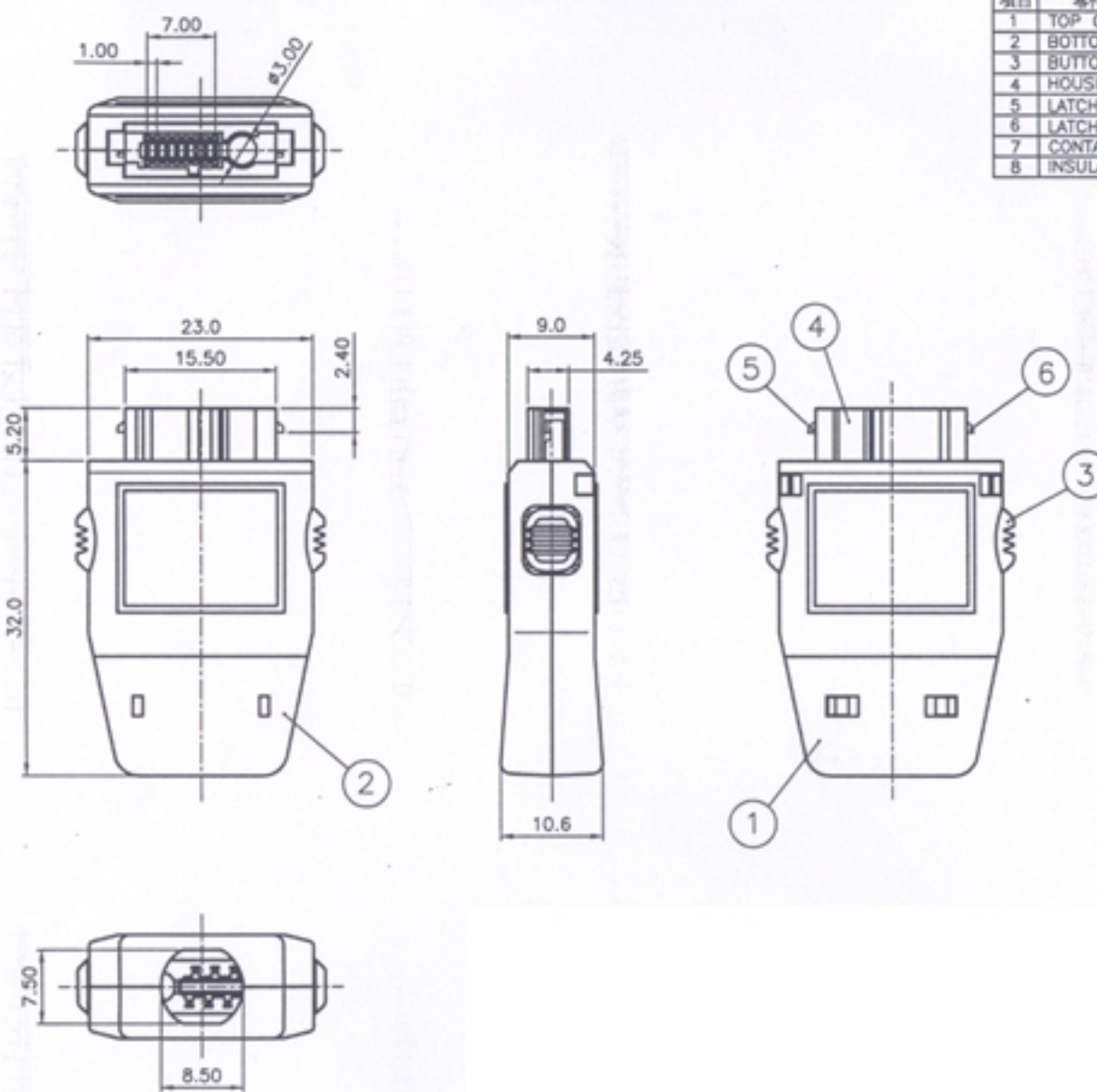


ITEM 項目	PARTS NAME 零件名稱	Q'TY 數量	MATERIAL 材質	FINISH/REMARK 處理/備註
1	TOP COVER	1	A.B.S	(Black)
2	BOTTOM COVER	1	A.B.S	(Black)
3	BUTTON	2	A.B.S	(Black)
4	HOUSING	1	P.B.T+G.F	UL-94V-0 (Black)
5	LATCH-L	1	STAINLESS	Non-plating
6	LATCH-R	1	STAINLESS	Non-plating
7	CONTACT	16	Phosphor Bronze	Gold flash selective
8	INSULATOR	1	P.B.T+G.F	UL-94V-0 (Black)



ASSY HOUSING
(M30-344-0001)

工程
部
02.2002
出圖章

SPECIFICATION
MATERIAL
 See drawing
STANDARD DATA
 Rating current:1.0A
 Applicable wire: AWG#26 Max.
 Operating temperature: -30°C ~ +60°C
 Storage temperature: -40°C ~ +85°C
ELECTRICAL
 Insulator resistance: 1000M ohms Min. @ 250 VDC
 Withstanding voltage: 100 VAC / minute
 Contact resistance: 50 m ohms Max.
MECHANICAL
 Mating force: 30N(3.06kgf) Max.
 Unmating force (Without lock): 4.2N(0.43kgf) Min.
 Durability: 10000 cycles Min.
 Contact retention force: 4.2N(0.43kgf) Min
PART NO.

SERIES A 3 1 - 344 - 16 06
 TYPE A=Plug in
 TYPE 3=1.0mm pitch
 CONTACT TYPE 1=Solder type
 MODEL NO.
 TYPE NO. 06=Type 6
 CONTACT NUMBER 16=16position

CYPRESS INDUSTRIES

A		EXXXX-XXX		X 0		-		UNLESS OTHERWISE SPECIFIED TOLERANCE 尺寸公差		CHECKED 工程 部		DESIGNED 設計 H.T CHEN 06/24/02'		TITLE 產品名稱 PLUG IN CONNECTOR Solder type-16 position	
REV. 版本		ECH. NO. 設計號碼		MARK 記號		REVISIONS 變更內容		SIGN 簽名		DATE 日期		DRAWN 製圖 H.T CHEN 06/24/02'		UNIT 單位 MM	
X		±0.50		.X		±0.30		.XX		±0.20		SCALE 比例 2/1		PART NO. 產品料號 A31-344-1606	
ANG.		±5'00"		APPROVED 核准 許勇欽				SIZE 尺寸 A3		DOC. NO. 文件編號 CUT-344-001		REV. 版本 A			