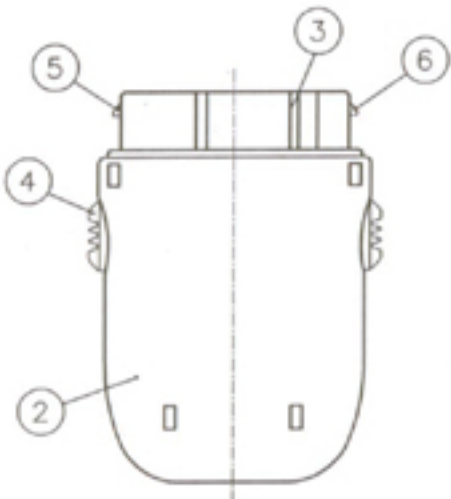


ITEM 項目	PARTS NAME 零件名稱	Q'TY 數量	MATERIAL 材質	FINISH/REMARK 處理/備註
1	TOP COVER	1	A.B.S	(Black)
2	BOTTOM COVER	1	A.B.S	(Black)
3	HOUSING	1	P.B.T+G.F	UL-94V-0 (Black)
4	BUTTON	2	A.B.S	(Black)
5	LATCH(L)	1	STAINLESS	Non-plating
6	LATCH(R)	1	STAINLESS	Non-plating
7	CONTACT	26	Phosphor Bronze	Gold flash selective



SPECIFICATION
MATERIAL
 See drawing
STANDARD DATA
 Rating current: 1.0A
 Applicable wire: AWG#26 Max.
 Operating temperature: -30°C ~ +60°C
 Storage temperature: -40°C ~ +85°C
ELECTRICAL
 Insulator resistance: 1000M ohms Min. @ 250 VDC
 Withstanding voltage: 100 VAC / minute
 Contact resistance: 50 m ohms Max.
MECHANICAL
 Mating force: 30N(3.06kgf) Max.
 Unmating force (Without lock): 4.2N(0.43kgf) Min.
 Durability: 10000 cycles Min.
 Contact retention force: 4.2N(0.43kgf) Min
 Lock strength: 70N(7.14kgf) for 1 minute.
PART NO.
 SERIES: A 3 1 - 553 - 26 02
 MODEL NO. TYPE NO.
 A=Plug in TYPE O2=Type 2
 3=1.0mm pitch CONTACT NUMBER
 CONTACT TYPE 26=26position
 1=Solder type

CYPRESS INDUSTRIES

REV. 版本	ECH NO. 工程號碼	MARK 記號	REVISIONS 變更內容	SIGN 簽名	DATE 日期	UNLESS OTHERWISE SPECIFIED TOLERANCE 尺寸公差 X. ±0.50 .X ±0.30 .XX ±0.20 ANG. ±5°00'	CHECKED 審核 DEC 29 2001	DESIGN 設計 DEC 11 2001	TITLE 產品名稱 Plug in connector Solder type-26 position	UNIT 單位 MM	SCALE 比例 2/1	PART NO. 產品編號 A31-553-2602	REV. 版本 A
1	2	3	4	5	6	7	8	9	10				