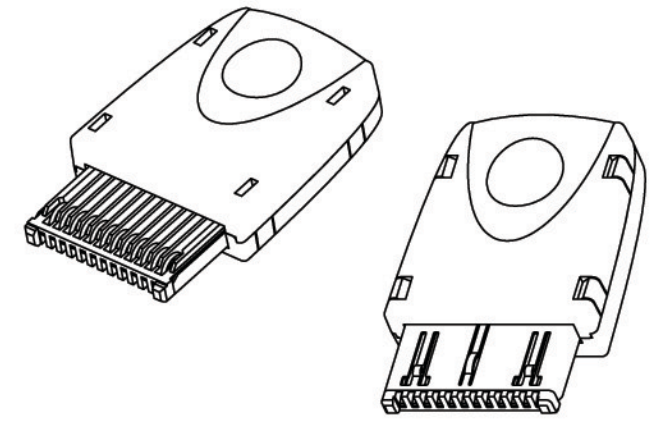
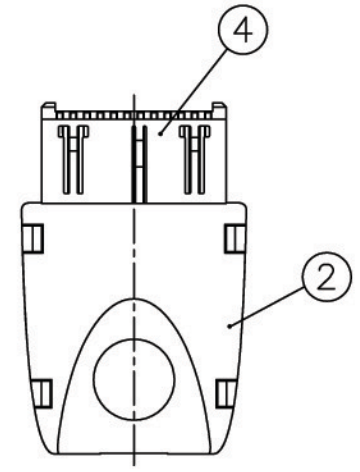
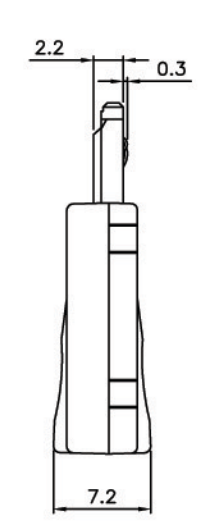
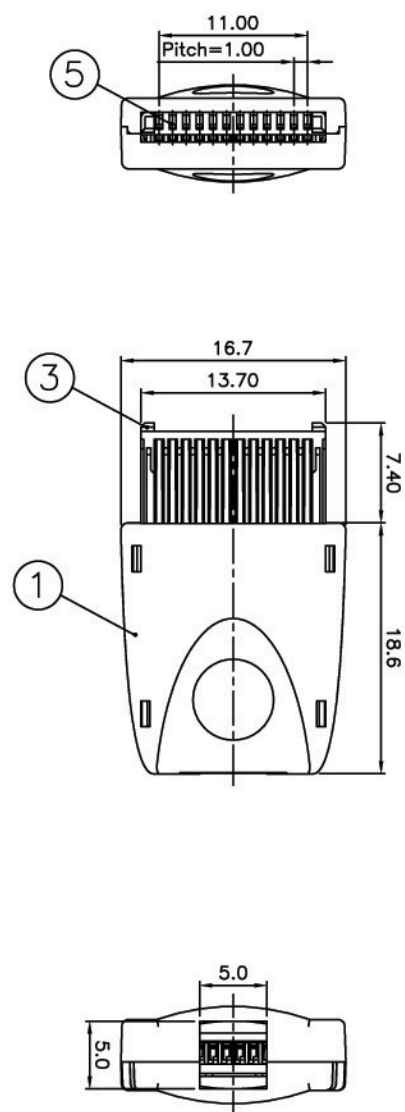


ITEM 項目	PARTS NAME 零件名稱	Q'TY 數量	MATERIAL 材質	FINISH/REMARK 處理/備註
1	TOP COVER	1	ABS	(Black)
2	BOTTOM COVER	1	ABS	(Black)
3	HOUSING	1	P.B.T+G.F	UL-94V-0 (Black)
4	SHELL	1	STAINLESS	-
5	CONTACT	12	Phosphor Bronze	Gold flash selective



SPECIFICATION
MATERIAL
 See drawing
STANDARD DATA
 Rating current:1.0A
 Applicable wire: AWG#26 Max.
 Operating temperature: -30°C ~ +60°C
 Storage temperature: -40°C ~ +85°C
ELECTRICAL
 Insulator resistance: 1000 m ohms Min. @ 250 VDC
 Withstanding voltage: 100 VAC / minute
 Contact resistance: 50 m ohms Max.
MECHANICAL
 Mating force: 30N(3.06kgf) Max.(With lock)
 Durability: 10000 cycles Min.
 Contact retention force: 4.2N(0.43kgf) Min
PART NO.

SERIES A 3 3 - 588 - 12 01
 A=Plug in
 TYPE
 3=1.0mm pitch
 CONTACT TYPE
 3=SMD TYPE
 MODEL NO.
 TYPE NO.
 01=Type 1
 CONTACT NUMBER
 12=12position

Cypress Industries
 www.cypressindustries.com

A		EXXXX-XXX	△ X 0	-	-	-	UNLESS OTHERWISE SPECIFIED TOLERANCE 尺寸公差 X. ±0.50 .X ±0.30 .XX ±0.20 ANG. ±5°00'	CHECKED 審核	DESIGNED 設計 Robin 10/28/02	UNIT 單位 MM	TITLE 產品名稱 CONNECTOR FOR SIEMENS C55	
REV. 版本	ECN NO. 設變號碼	MARK 記號	REVISIONS 設變內容	SIGN 修改	DATE 日期		APPROVED 承認	DRAWN 製圖 Robin 10/28/02	SCALE 比例 2.5/1	SIZE 尺寸 A3	PART NO. 產品料號 CCA33-588-1201	REV. 版本 A