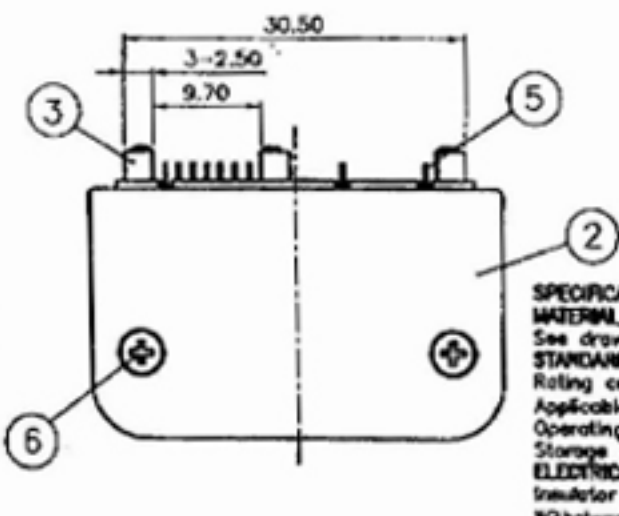
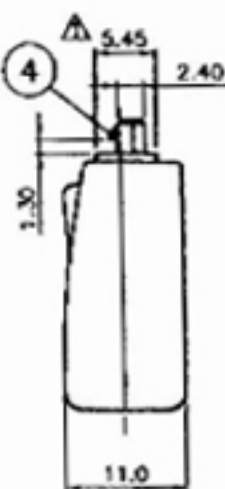
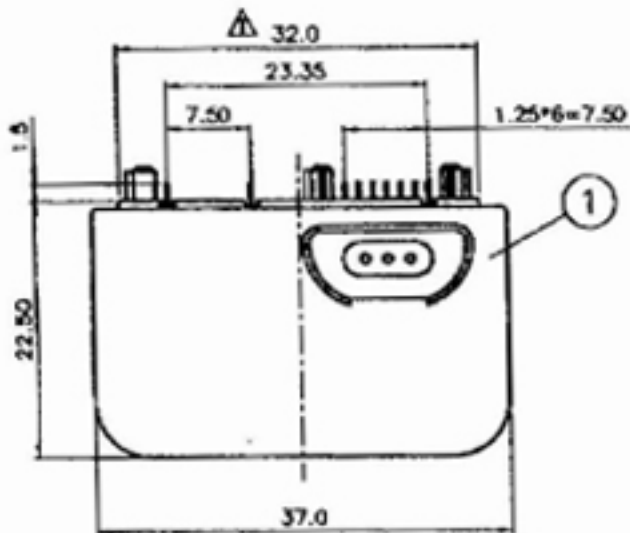
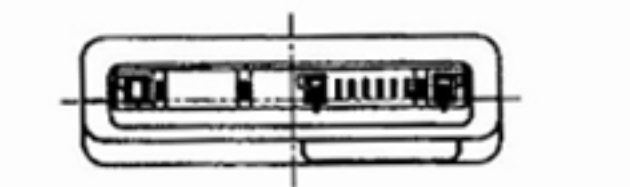
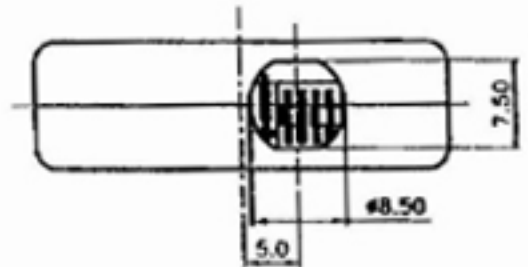
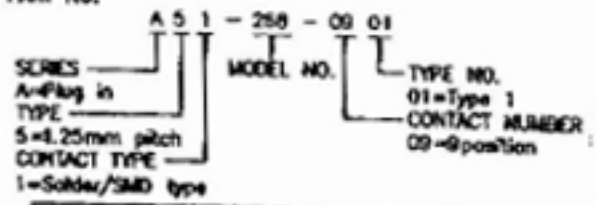


| ITEM 項目 | PARTS NAME 部材名 | QTY 数量 | MATERIAL 材質 | FINISH/REMARK 処理/注記 |
|------------|-------------------|-----------|-----------------|------------------------|
| 1 | TOP COVER | 1 | A.B.S | (Black) |
| 2 | BOTTOM COVER | 1 | A.B.S | (Black) |
| 3 | HOUSING | 1 | P.B.T+G.F | UL-94V-0 (Black) |
| 4 | BOTTOM SHELL | 1 | STAINLESS | Non-plating |
| 5 | CONTACT | 9 | Phosphor Bronze | Gold flash selective |
| 6 | SCREW | 2 | BRN | |



SPECIFICATION
MATERIAL
 See drawing
STANDARD DATA
 Rating current: 1.0A
 Applicable wire: AWG#26 Max.
 Operating temperature: -30°C ~ +60°C
 Storage temperature: -40°C ~ +85°C
ELECTRICAL
 Insulator resistance: 1000M ohms Min. @ 250 VDC
 Withstanding voltage: 100 VAC / minute
 Contact resistance: 130 m ohms Max.
MECHANICAL
 Mating force: 30N(3.0kgf) Max.
 Unmating force (Without lock): 4.2N(0.43kgf) Min.
 Durability: 10000 cycles Min.
 Contact retention force: 4.2N(0.43kgf) Min
PART NO.



CYPRESS INDUSTRIES

| | |
|--|---|
| DESIGNED BY: H.T. CHEN DATE: 07/01/02 | PLUG IN CONNECTOR Solder/SMD type-9 position |
| DRAWN BY: H.T. CHEN DATE: 07/01/02 | PART NO.: A51-268-0901 |

| REV. | EQD. NO. | MARK | REVISION | DATE | FILE | SCALE | UNIT |
|------|-----------|-------|----------|-----------|----------|-------|------|
| B | E0303-014 | △ X 2 | 資料修正 | H.T. CHEN | 03/19/03 | | |