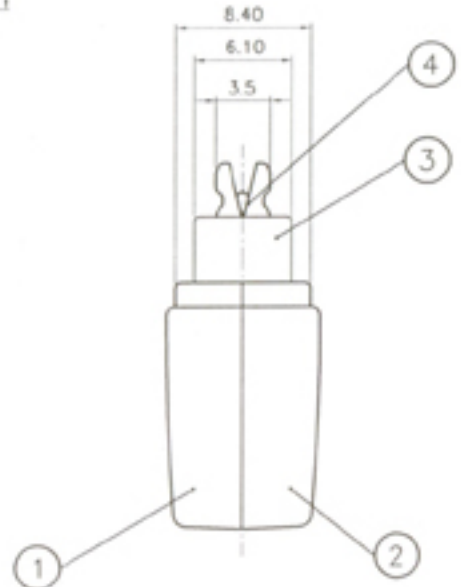
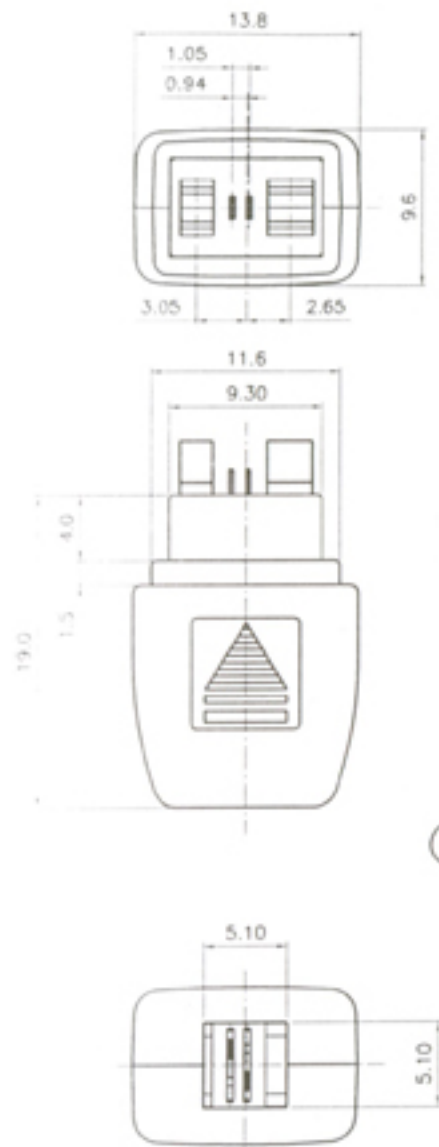
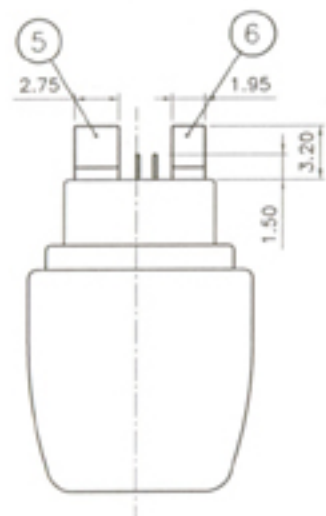


DB=000



ITEM 項目	PARTS NAME 零件名稱	PART NO. 零件編號	Q'TY 數量	MATERIAL 材質	FINISH/REMARK 處理/備註
1	TOP COVER	M21-298-1001	1	A.B.S	(Black)
2	BOTTOM COVER	M21-298-2001	1	A.B.S	(Black)
3	HOUSING	M21-298-0001	1	P.B.T+G.F	UL-94V-0 (Black)
4	CONTACT	M22-234-0010	2	Phosphor Bronze	Cold flash selective
5	LATCH	M21-298-5002	1	PC	(Black)
6	LATCH	M21-298-5001	1	PC	(Black)



SPECIFICATION

MATERIAL
See drawing

STANDARD DATA
Rating current: 1.0A
Operating temperature: -30°C ~ +60°C
Storage temperature: -40°C ~ +85°C

ELECTRICAL
Insulator resistance: 1000M ohms Min. @ 250 VDC
Withstanding voltage: 100 VAC / minute
Contact resistance: 130m ohms Max.

MECHANICAL
Mating force: 30N(3.06kgf) Max.
Unmating force (up&down): 4.2N(0.43kgf) Min.
Durability: 10,000 cycles Min.
Contact retention force: 4.2N(0.43kgf) Min
Lock strength: 10N(1.02kgf) for 1 minute.

PART NO.
A 5 1 - 298 - 02 01

SERIES: A=Plug in
TYPE: 5=1.05mm pitch
CONTACT TYPE: 1=Solder type

MODEL NO.: 298
TYPE NO.: 01=Type 1
CONTACT NUMBER: 02=02 position



REV. ECN NO. 位號		MARK 位號		REVISIONS 位號內容		SIGN 位號		DATE 日期		UNLESS OTHERWISE SPECIFIED TOLERANCE 尺寸公差		CHECKED 審核		DESIGNED 設計		SCALE 比例		TITLE 產品名稱		PART NO. 零件編號		REV. 版次	
B	E0010-009	X 2	CHANGE PART NO. & SPECIFICATION			BEN		10/31/00			X. ±0.50	廖 6 國	BEN LEE	09/11/00	1/10	PLUG IN for NEC DB 2000 Solder type-02 position		A51-298-0201					
REV. 版次		MARK 位號		REVISIONS 位號內容		SIGN 位號		DATE 日期		UNLESS OTHERWISE SPECIFIED TOLERANCE 尺寸公差		CHECKED 審核		DESIGNED 設計		SCALE 比例		TITLE 產品名稱		PART NO. 零件編號		REV. 版次	
										.X ±0.30	李 木 峰	BEN LEE	09/11/00	1/10	CUT-298-001							B	
										ANG. ±5'00"													