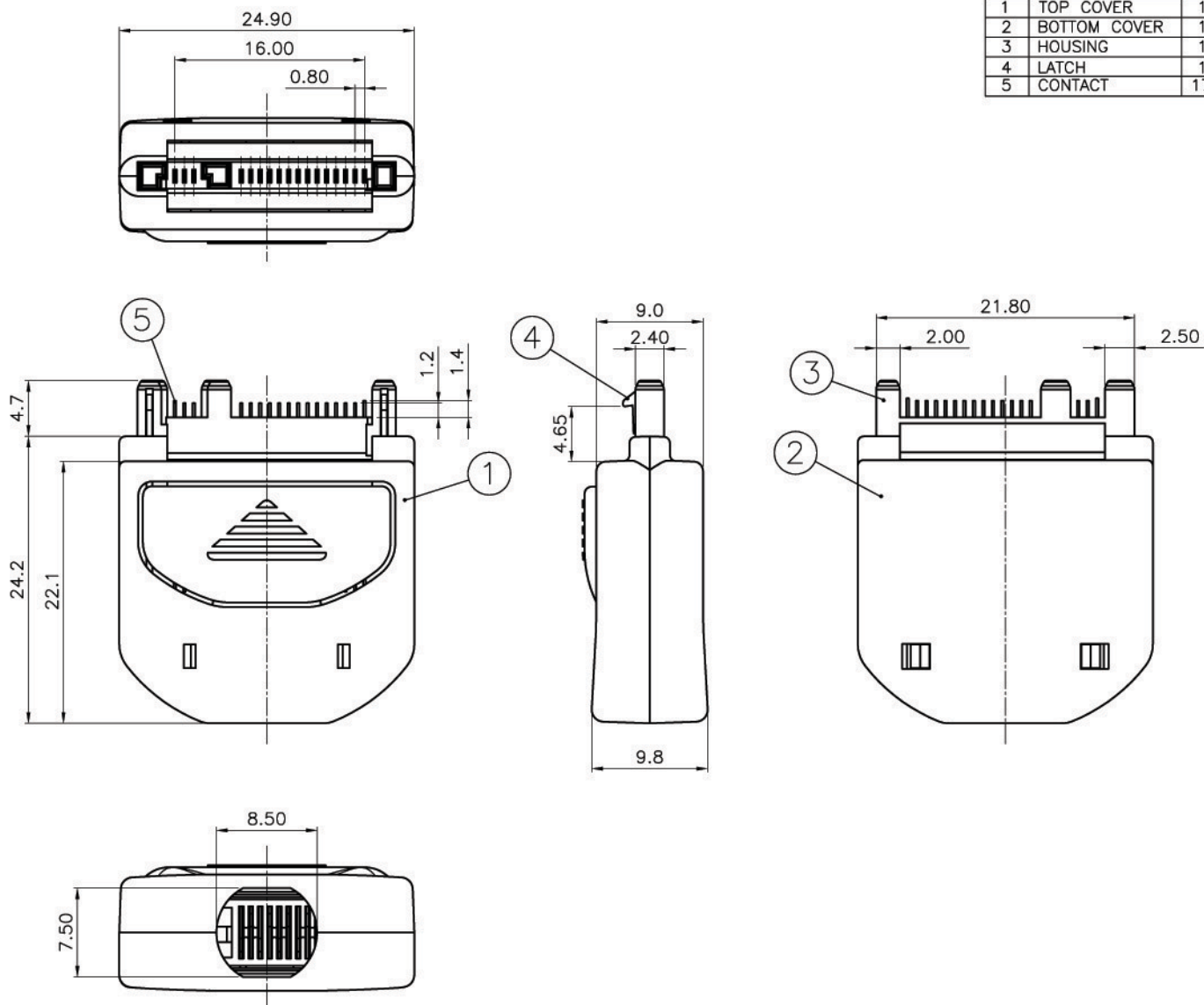


| ITEM 項目 | PARTS NAME 零件名稱 | Q'TY 數量 | MATERIAL 材質 | FINISH/REMARK 處理/備註 |
|------------|--------------------|------------|-----------------|------------------------|
| 1 | TOP COVER | 1 | A.B.S | (Black) |
| 2 | BOTTOM COVER | 1 | A.B.S | (Black) |
| 3 | HOUSING | 1 | P.B.T+G.F | UL-94V-0 (Black) |
| 4 | LATCH | 1 | STAINLESS | Non-plating |
| 5 | CONTACT | 17 | Phosphor Bronze | Gold flash selective |



SPECIFICATION
MATERIAL
 See drawing
STANDARD DATA
 Rating current: 1.0A
 Applicable wire: AWG#26 Max.
 Operating temperature: -30°C ~ +60°C
 Storage temperature: -40°C ~ +85°C
ELECTRICAL
 Insulator resistance: 1000M ohms Min. @ 250 VDC
 Withstanding voltage: 100 VAC / minute
 Contact resistance: 130 m ohms Max.
MECHANICAL
 Mating force: 30N(3.06kgf) Max.(With lock)
 Durability: 10000 cycles Min.
 Contact retention force: 4.2N(0.43kgf) Min
PART NO.

A 5 1 - 564 - 17 02

SERIES ——— A 5 1 ——— MODEL NO. ——— 564 ——— 17 02 ——— TYPE NO.
 A=Plug in
 TYPE ———
 5=0.8mm pitch
 CONTACT TYPE ———
 1=Solder/SMD type

| | |
|--|-----------------------|
| Cypress Industries WWW.CYPRESSINDUSTRIES.COM | CCA51-564-1702 |
|--|-----------------------|

| | | | | | | | | | | | | | | | |
|---|---------|--------------|---------|----------------|---------|---------|---|--------------------------------|-----------------------------------|--------------------------------------|------------------------------|---------|-------------------------------|---------|---|
| A | REV. 版本 | ECN NO. 設變號碼 | MARK 記號 | REVISIONS 設變內容 | SIGN 修改 | DATE 日期 | UNLESS OTHERWISE SPECIFIED TOLERANCE 尺寸公差 X. ±0.50 .X ±0.30 .XX ±0.20 ANG. ±5°00' | CHECKED 審核 | DESIGNED 設計 H.T.CHEN 07/01/02' | TITLE 產品名稱 PLUG IN CONNECTOR(17P) | UNIT 單位 | MM | PART NO. 產品料號 A51-564-1702 | REV. 版本 | A |
| | A | E0110-002 | △ X 0 | - | - | - | APPROVED 承認 | DRAWN 製圖 H.T.CHEN 07/01/02' | SCALE 比例 2.5/1 | | DOC. NO. 文件編號 CUT-564-019 | SIZE 尺寸 | | A3 | |