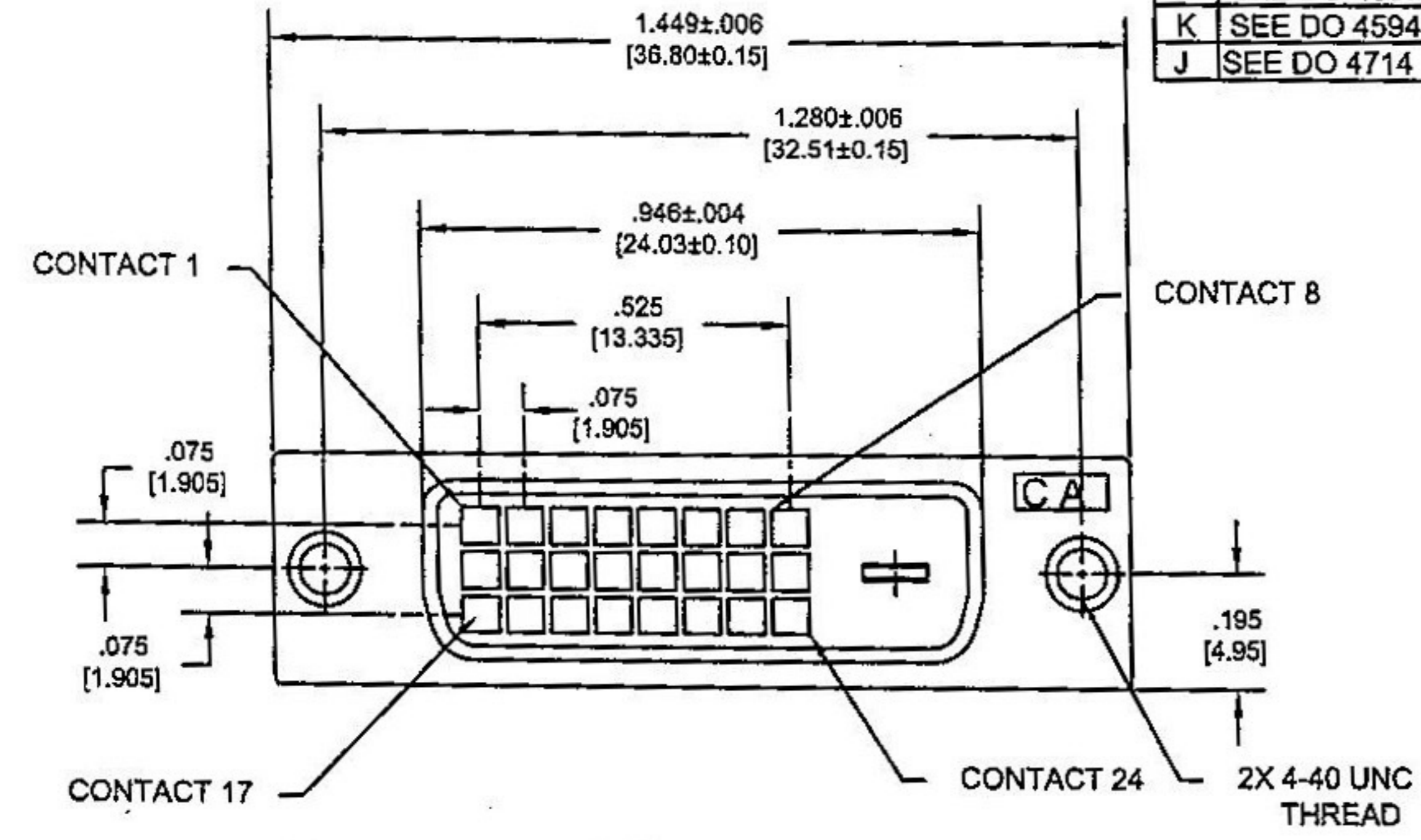
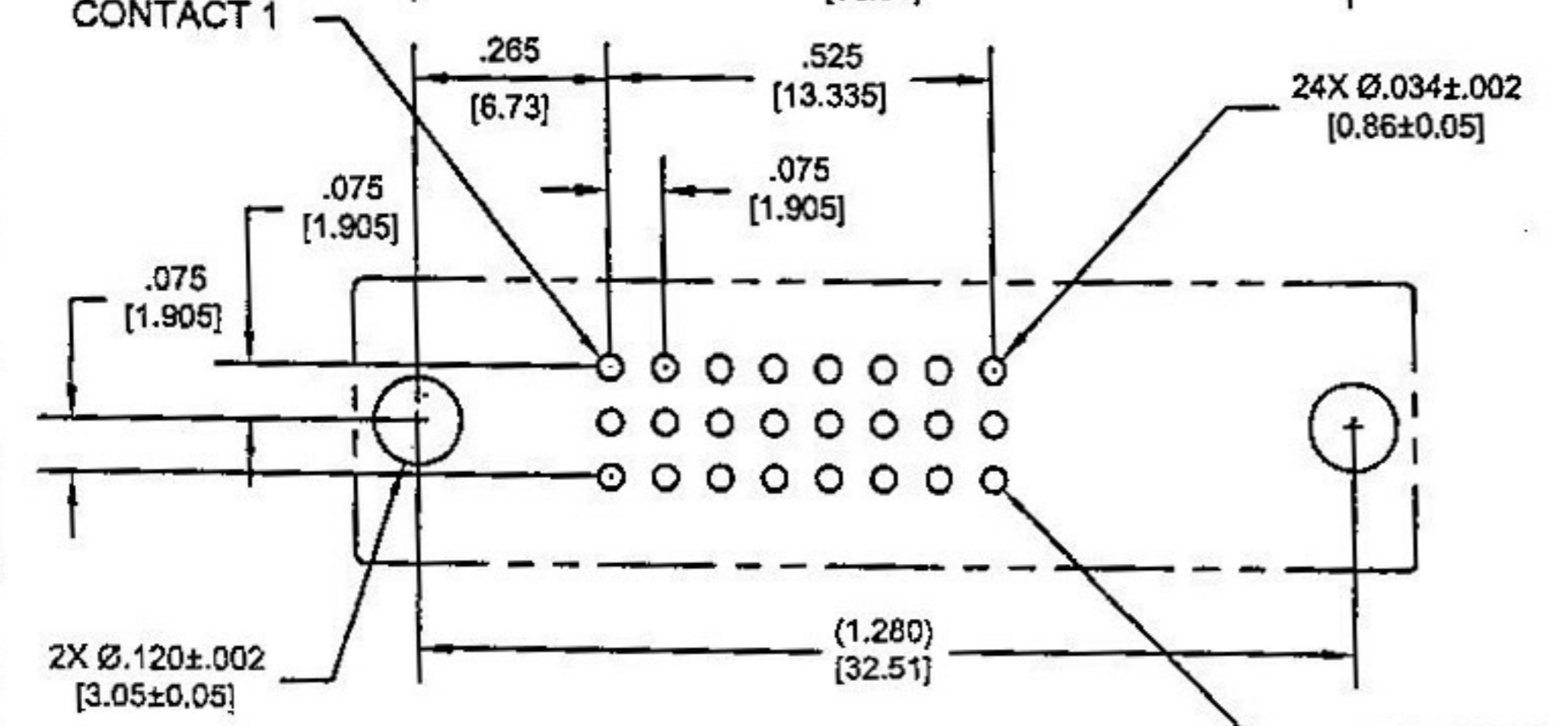
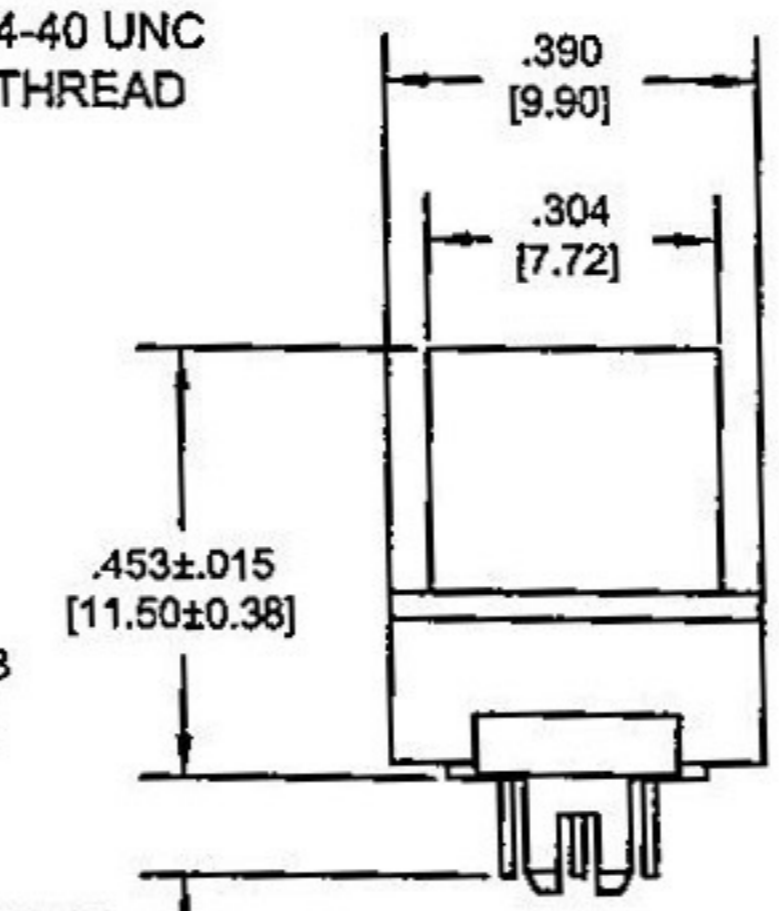
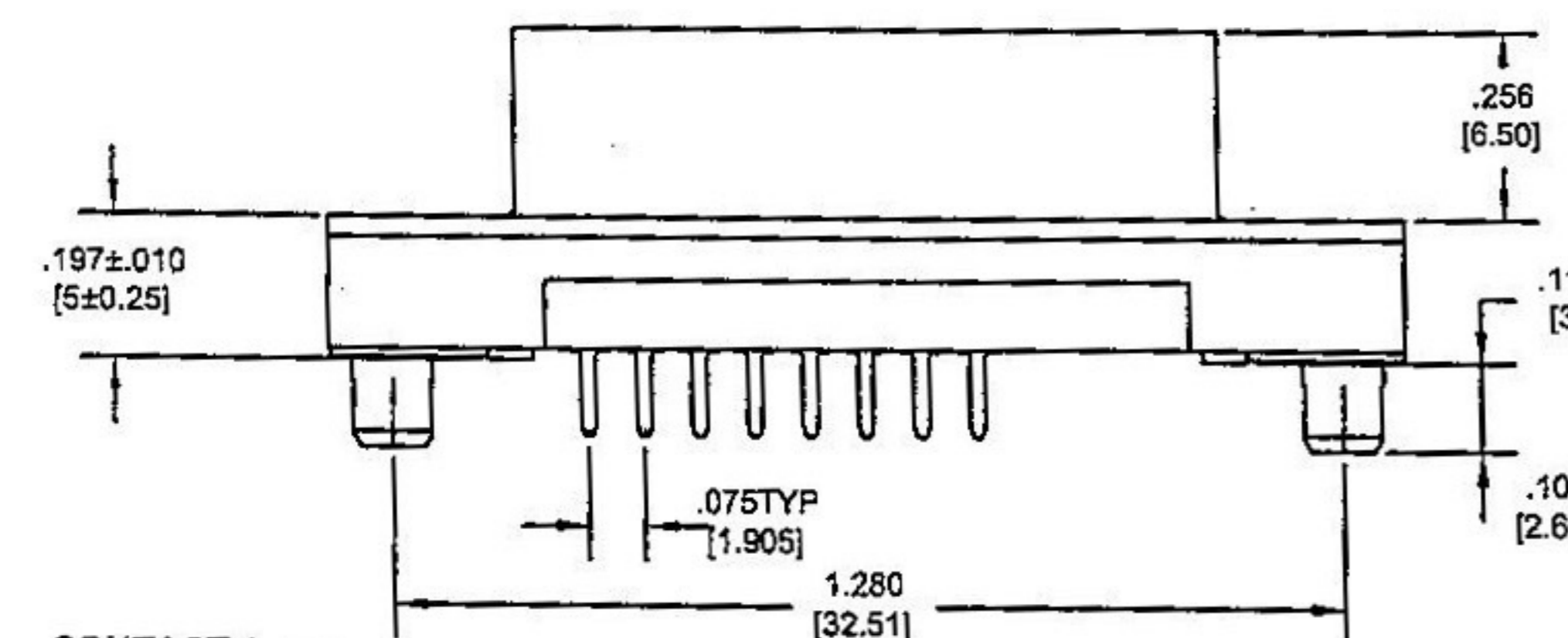


PART NO. 24DVISDX-X-X

LTR	DESCRIPTION	DATE	APPROVED	REVISIONS			
F	SEE DO 4138	JL 08-29-00	B.W.	LTR	DESCRIPTION	DATE	APPROVED
G	SEE DO 4208	JL 10-17-00	A.J.	A	INITIAL RELEASE SEE DO 3961	AJ 04-04-00	A.J.
H	SEE DO 4337	C.P. 01-25-01	A.J.	B	SEE DO 3986	AJ 04-19-00	B.W.
J	SEE DO 4567	C.P. 7-27-01	A.J.	C	SEE DO 3997	AJ 04-26-00	B.W.
K	SEE DO 4594	C.P. 8-20-01	A.J.	D	SEE DO 4024	JL 06-02-00	A.J.
J	SEE DO 4714	C.P. 12-18-01	A.J.	E	SEE DO 4037	JL 06-09-00	J.L.



24 DVI S D V - X - X

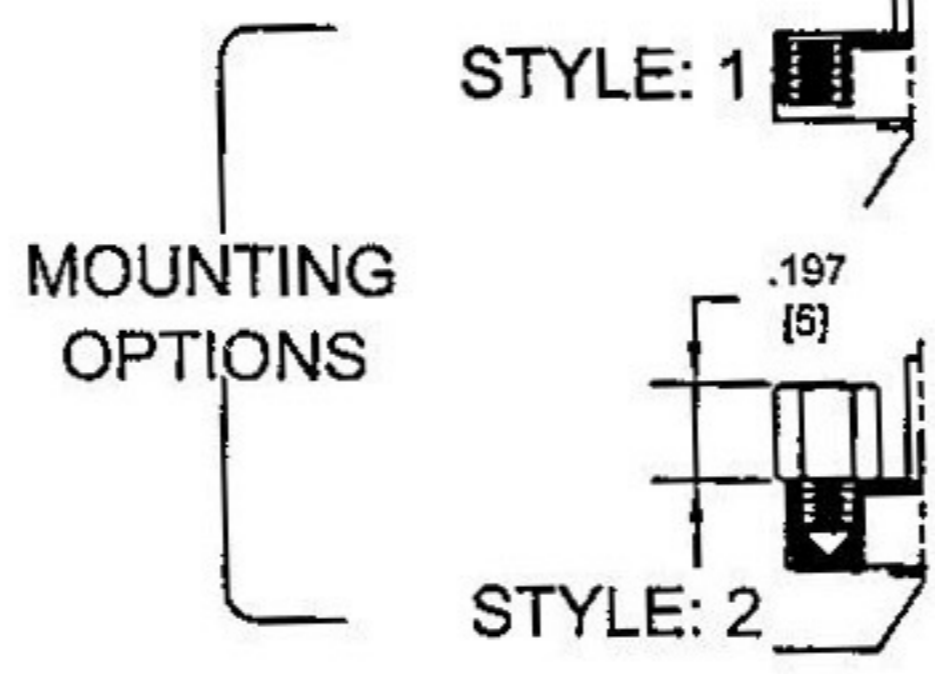


PC BOARD MOUNTING PATTERN
COMPONENT SIDE

24 DVI S D X - X - X

- NO OF PIN POSITIONS _____
- DIGITAL VISUAL INTERFACE _____
- SOCKET _____
- PRODUCT TYPE: DIGITAL _____
- PROFILE: _____
- V = VERTICAL WITH FIXED POST
 B = VERTICAL WITHOUT FIXED POST
 C = FOR CABLE (SOLDER TYPE) WITH FIXED POST
 D = FOR CABLE (SOLDER TYPE) WITHOUT FIXED POST
 E = VERTICAL, EXTENDED HEIGHT
- PLATING: _____
- A = GOLD FLASH OVER NICKEL
 C = .000015 [.00038] GOLD OVER NICKEL
 F = .000030 [.00076] GOLD OVER NICKEL
- MOUNTING OPTION STYLES : _____
- 1 = 4-40 UNC THREADED INSERT
 2 = 4-40 UNC HEX SCREWLOCK
 (2 PCS. PER CONNECTOR; PACKAGED SEPARATELY)
 3 = 4-40 UNC HEX SCREWLOCK (INSTALLED)

- NOTES :
- FOR SPECIFICATION AND PERFORMANCE CHARACTERISTICS SEE CA DWG 100252
 - ENVIRONMENTAL :
TEMPERATURE RANGE -20°C TO +85°C
 - ELECTRICAL :
RATED : 1.5A @ 40V AC (rms)
CONTACT RESISTANCE : 20 MLLIOHMS MAXIMUM
INSULATION RESISTANCE : 1000 MEGOHMS MINIMUM
DIELECTRIC WITHSTANDING VOLTAGE : 500V AC (rms)
 - MECHANICAL :
MATING FORCE : 10 LB. (4.5kg) MAXIMUM
UNMATING FORCE : 2.2 LB. (1kg) MINIMUM, 8.8 LB 94 (Kg) MAXIMUM
 - MATERIAL :
HOUSING : GLASS FILLED THERMOPLASTIC, NATURAL, U.L 94V-0
CONTACT : PHOSPHOR BRONZE
SHELL : ZINC ALLOY, NICKEL PLATED
BOARD LOCK : ZINC ALLOY, TIN PLATED



DIMENSIONS ARE IN INCHES TOLERANCES ARE: DECIMALS ANGLES .XX ± .010 ? D .XXX ± .005	APPROVALS	DATE	CYPRESS INDUSTRIES FEMALE DVI CONNECTOR DIGITAL 24DVISDX-X-X
	DRAWN A. JOCHEN	3-31-00	
DIMENSIONS IN BRACKETS (XXX) ARE IN MILLIMETERS TOLERANCES ARE: DECIMALS ANGLES .X ± .25 ? D .XX ± .13	CHECKED A. JOCHEN	3-31-00	SIZE C
			PN#: CCDVI-24DVISD-VA1 REV. L
DO NOT SCALE DRAWING			SCALE: 4:1 SHEET 1 OF 5