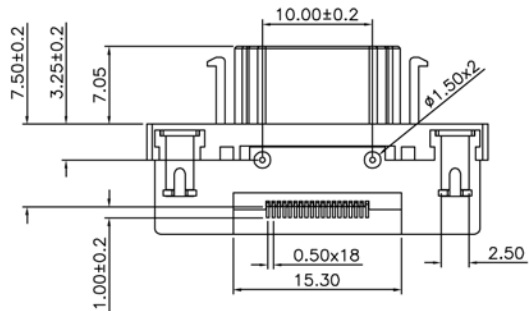
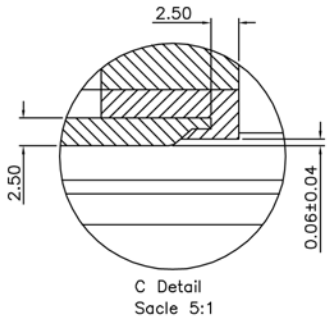
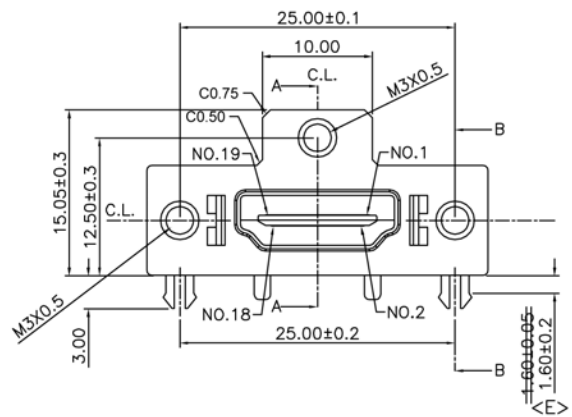
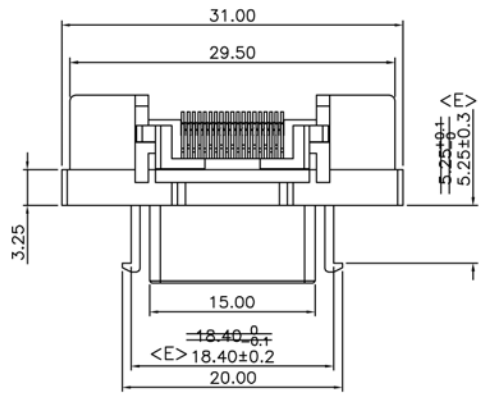


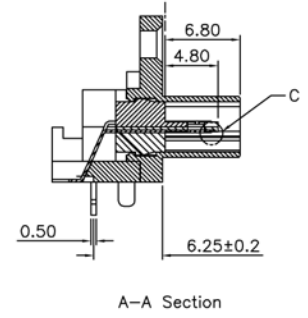
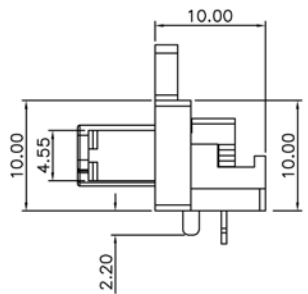
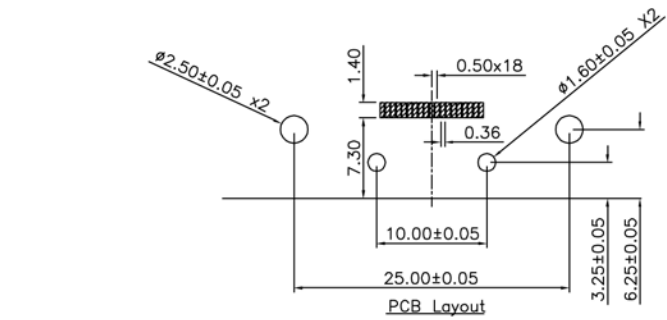
6 5 4 3 2 1

NOTES:

- 1. Material:
 - Housing—LCP,94V-0,Color:Black.
 - Metal Shell—Zn Alloy.
 - Terminal—Copper Alloy.
- 2. Surface:
 - Housing—Polish(SPI-A3)
 - Metal Shell—Ni 120u".
 - Terminal—Au 30u".



REV.	DESCRIPTION	DATE
D	Modify Dimension(ECO-05108)	02/04/05'
E	Modify Tolerance (ECO-06047)	01/20/06'



CYPRESS INDUSTRIES www.cypressindustries.com		DESCRIPTION: HDMI Latch & Screw Type Socket			
DATE	01/20/06'	PART NO	CCHDMI-0011-A01A	REV	E
DWN	<i>Fanice</i>	FILE NO	133-0011-A01AE	UNIT	mm
CHK	<i>Allen</i>		SCALE: 2/1	SHEET	1/1
APP	<i>B.M. Chang</i>	TOLERANCES	0.X: ±0.50 0.XX: ±0.25 ∠: ±2'		