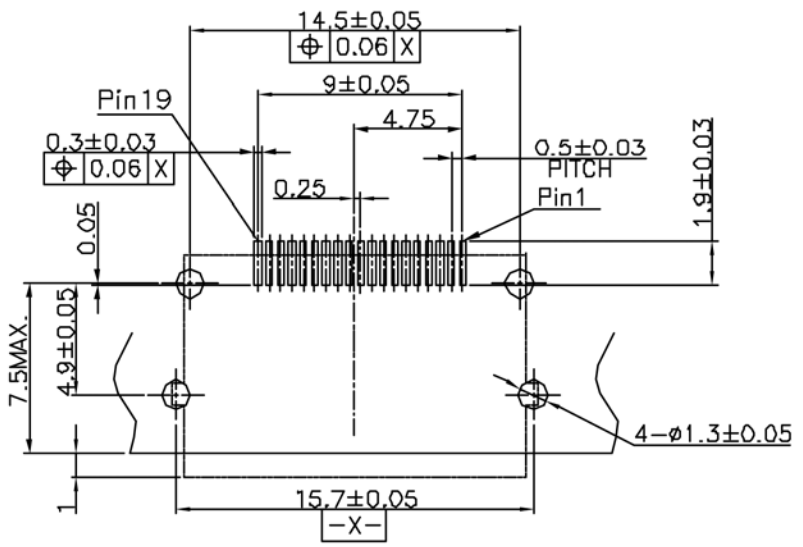
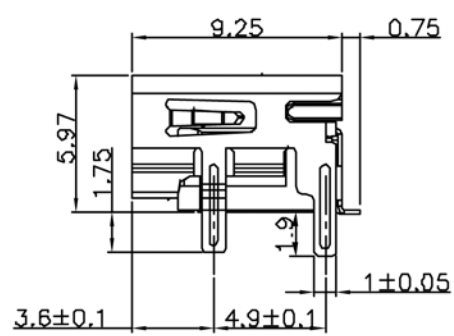
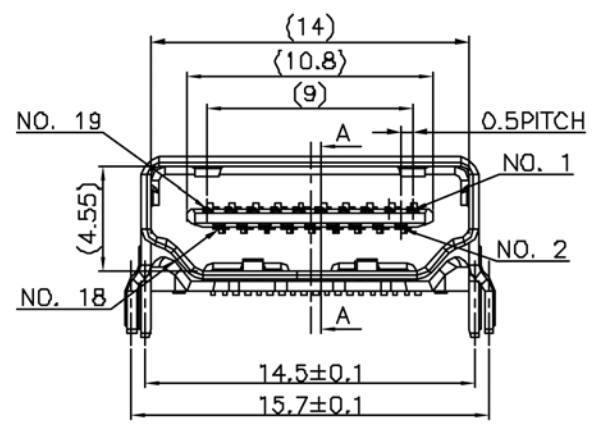
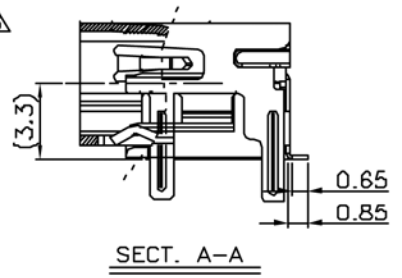
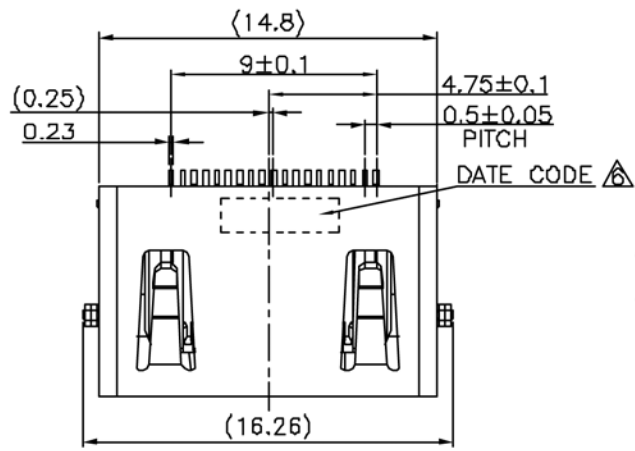
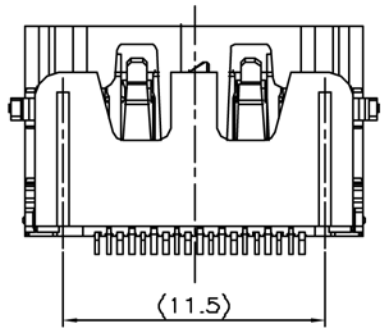


REV. A	ECN NO.	LOCATIONS	DESCRIPTION INITIAL RELEASE	DATE 08/07'06	DESIGN 鄭紅光
--------	---------	-----------	--------------------------------	------------------	---------------

NOTE:
 1. MATERIAL:
 1.1 HOUSING: THERMOPLASTIC, HIGH TEMP, UL94V-0 COLOR: BLACK
 1.2 CONTACT: COPPER ALLOY.
 1.3 SHELL: COPPER ALLOY.
 2. FINISH
 2.1 CONTACT: GOLD PLATING AT CONTACT AREA
 MATTE TIN PLATING AT SOLDER AREA.
 NICKEL UNDERPLATED ALL OVER.
 2.2 SHELL: SOLDER NICKEL PLATED ON ALL OVER
 3. APPLIED TO IR SOLDERING PROCESS
 4. REFLOW SOLDER CAPABLE TO 260°C MAX. 10sec.
 5. MEET TO ROHS.
 Ⓐ DATE CODE.



APPLICABLE P.C.B. DIMENSION(REF)



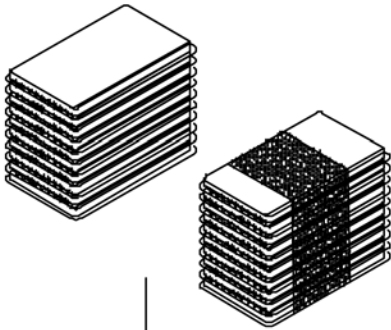
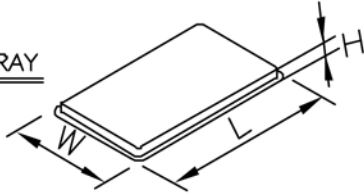
DIM	TOL	DIM	DEG	CYPRESS INDUSTRIES www.cypressindustries.com			
X	±0.35	X'	±5'	FILE: _____		DRAW NAME: _____	
X.X	±0.25	X.X'	±3'	DRAW NO. _____		HDMI SMT Type	
X.XX	±0.20	X.XX'	±2'	P/N: CCHDMI-0050-1931		RoHS, Tray Packaging	
X.XXX	±0.10	X.XXX'	±1'	UNIT: mm	SCALE: N/A	MODEL: _____	HDMI SMT CONNECTOR
DESIGN:	鄭紅光	08/07'06	REV: A	SHEET: 1/2			
CHECK:	李清亮	08/07'06					
APPROVED:	鄭家茂	08/07'06					

REV.	ECN NO.	LOCATIONS	DESCRIPTION	DATE	DESIGN
A			INITIAL RELEASE	08/07'06	鄭紅光

TOP COVER

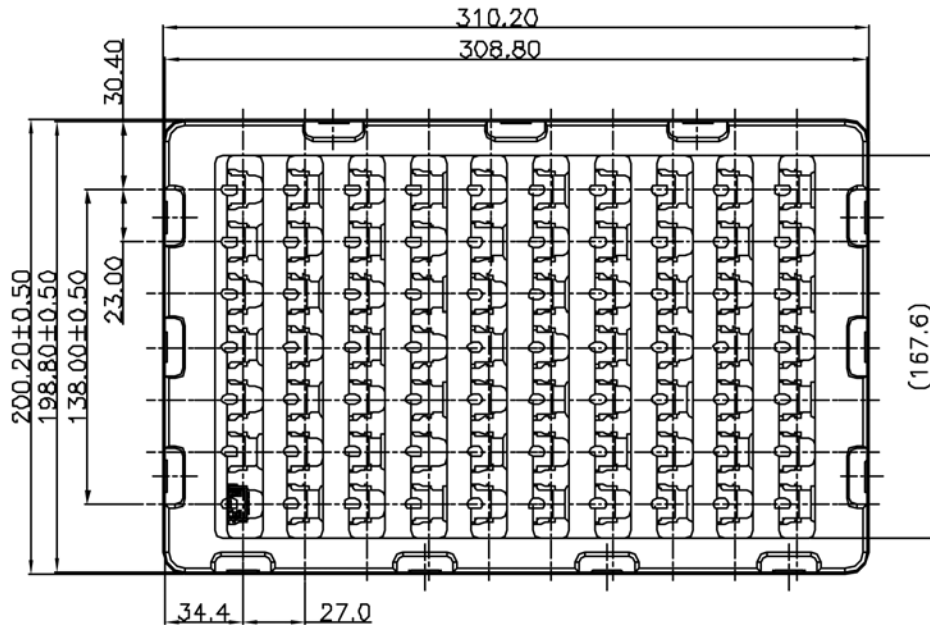


TRAY



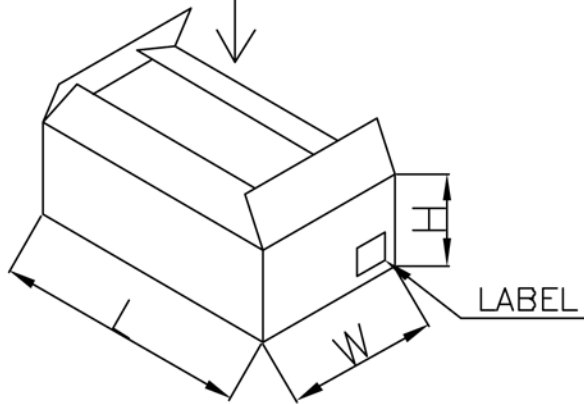
NOTES :

1. MATERIAL :
 - 1.1 TRAY : PS
2. DIMENSION :
 - 2.1 TRAY : L=310.2, W=200.2, H=20.7
 - 2.1 SHIPPING CARTON : L=325, W=210, H=200
3. QUANTITY :
 - 3.1 PRIMARY PACKING: 70 PCS/TRAY
 - 3.2 SECONDARY PACKING: 20 TRAY/CARTON(1,400PCS)



TRAY LAYOUT

SCALE: 1:10



LABEL

DIM	TOL	DIM	DEG
X	±0.35	X'	±5'
X.X	±0.25	X.X'	±3'
X.XX	±0.20	X.XX'	±2'
X.XXX	±0.10	X.XXX'	±1'

CYPRESS INDUSTRIES
www.cypressindustries.com

DESIGN:	鄭紅光	08/07'06	FILE:		DRAW NAME:	HDMI SMT TYPE TRAY PACKING DRAWING
CHECK:	李清亮	08/07'06	DRAW NO.:			
APPROVED:	鄭家茂	08/07'06	P/N:	CCHDMI-0050-1931	UNIT: mm	SCALE: N/A
			REV: A	SHEET: 2/2	MODEL:	HDMI SMT CONNECTOR