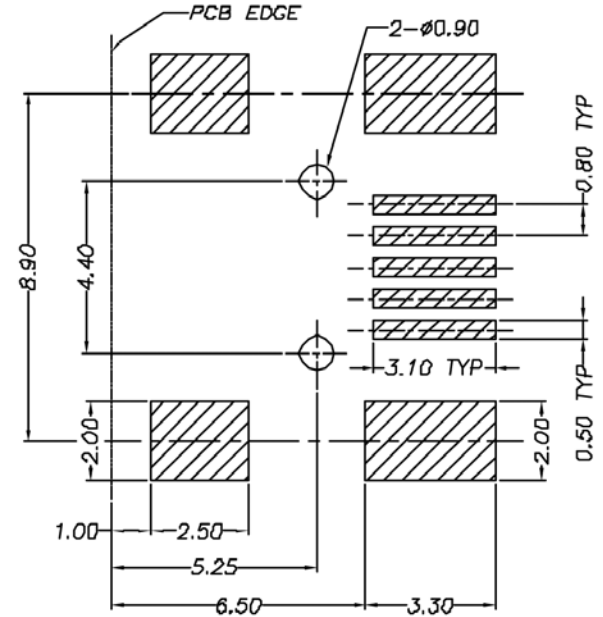
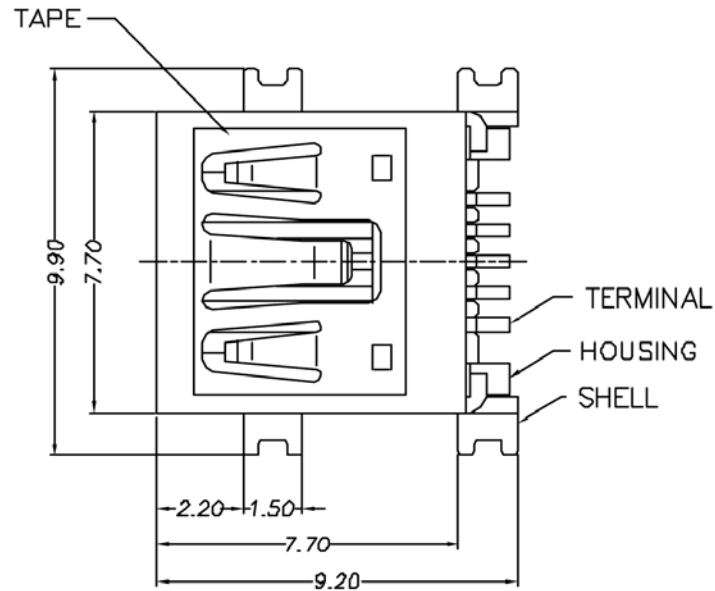


REV.	DESCRIPTION	DATE
2	Change plating & Note	2005/01/01



RECOMMENDED PCB LAYOUT

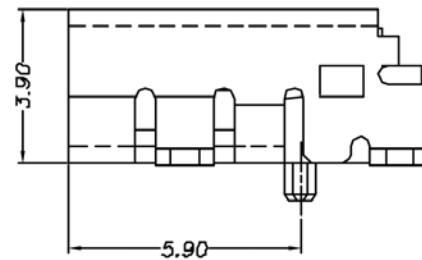
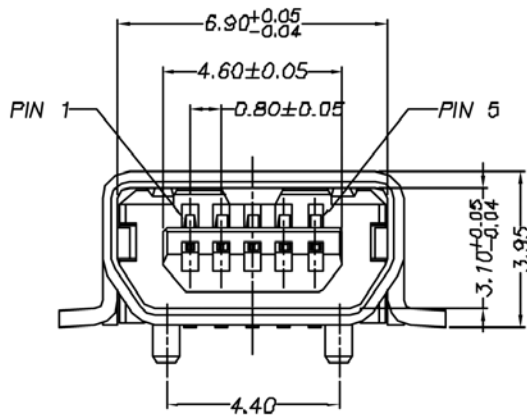
NOTE: (PCB t=0.8)


1.MATERIAL:

- 1.1 TERMINAL : COPPER ALLOY(t=0.20)
- 1.2 SHELL : COPPER ALLOY(t=0.40)
- 1.3 HOUSING : HIGH TEMPERATURE POLYESTER
G.F. UL94V-0 COLOR:GRAY
- 1.4 TAPE : POLYIMIDE(t=0.025)
COLOR:TRANSPARENT YELLOW

2.PLATING :

- 2.1 TERMINAL : CONTACT AREA : Au 30u"
<2> SOLDER TAIL AREA : Au 3u"
- <2> 2.2 SHELL : Ni 40u"



 www.cypressindustries.com		Description	
		Mini USB AB Type Receptacle SMT RoHS, 800/reel, Polyimide Tape	
DATE	01/01/2005'	Part No	REV
DWN	Janice	CCMUSBAB - 32005 - 710	2
CHK	Allen	SCALE: 5/1	UNIT
APP	E.M. Chang	TOLERANCES	MM
		O.X: ±0.50	SHEET
		O.XX: ±0.25	1/1
		∠: ±1°	