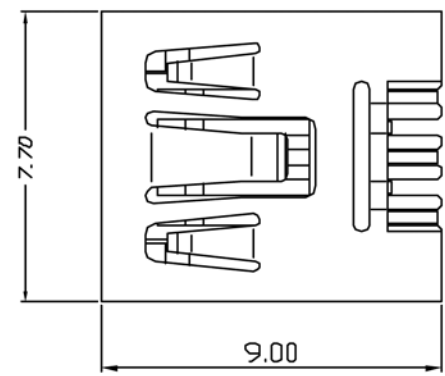
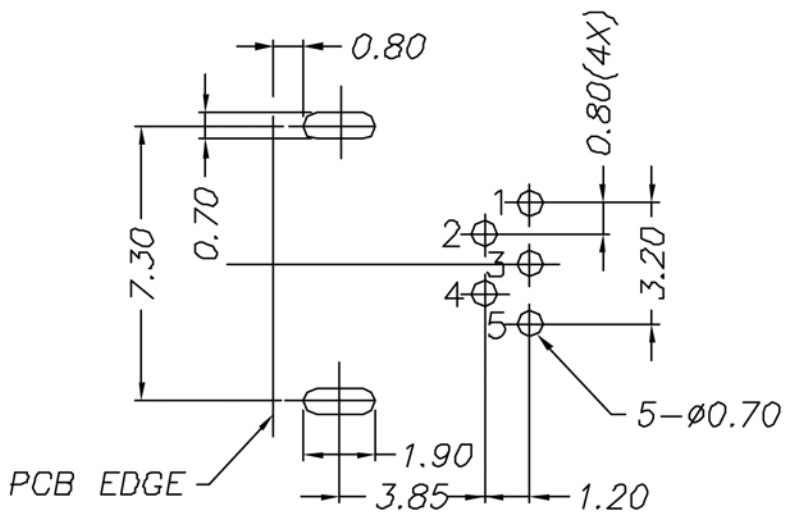
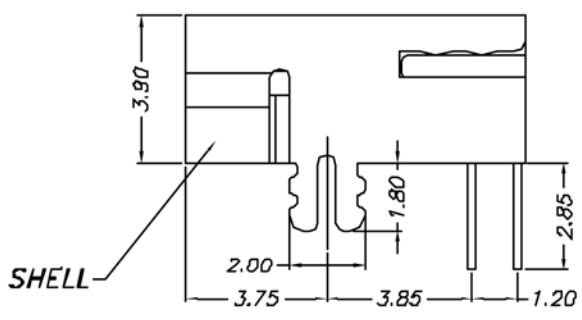
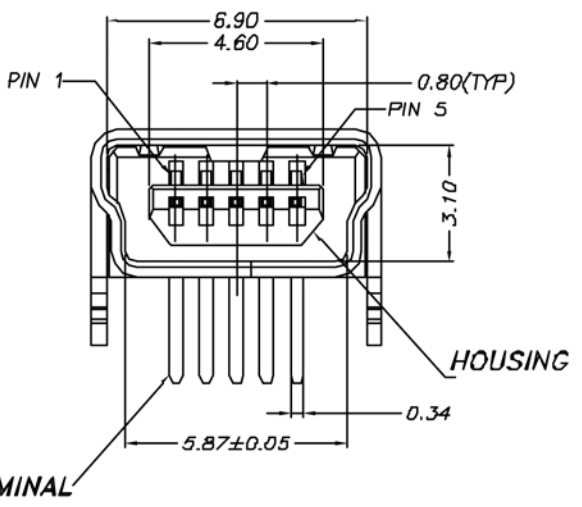


REV.	DESCRIPTION	DATE
------	-------------	------


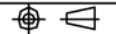


**PCB LAYOUT**

PCB T=1.4~1.6mm



**NOTE:**  
 1.Material:  
 Housing: High Temperature Polyester  
 G.F. UL94V-0,Color Black.  
 Shell: Copper Alloy.  
 Contact: Copper Alloy.  
 2.Plating:  
 Shell: Solderable Nickel 60u"  
 Contact: Au 30u".

 www.cypressindustries.com		Description		
		Mini USB B Receptacle R/A DIP RoHS Compliant		
DATE	11/08/02*	Part No	REV	2
DWN	Evta	CCMUSBB-32005-601	UNIT	MM
CHK	Allen	 SCALE: 5/1	SHEET	1/1
APP	C.M. Chang	TOLERANCES	□X: ±0.50    □XX: ±0.25    ∠: ±1°	

E  
D  
C  
B  
A