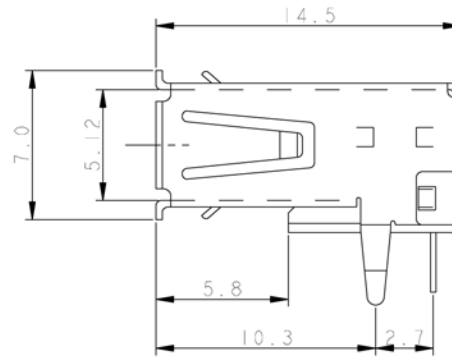
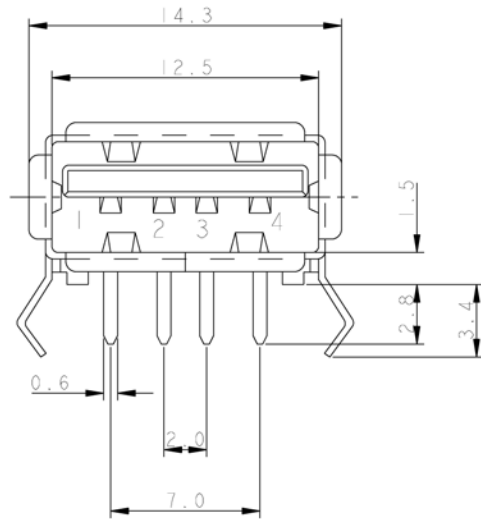
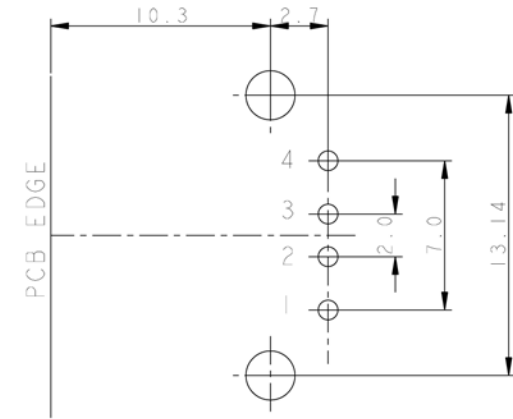


RoHS Compliant



Note:

1. Plating - Contact: Gold Plated 30u"




PCB LAYOUT
(BOTTOM VIEW)

3	SHELL	BRASS	NICKEL PLATED, T:0.3	1
2	PIN TERM.	PHOS. BRONZE	GOLD/TIN PLATED, T:0.25	4
1	HOUSING	P.B.T. G.F.	WHITE	1
NO.	DESCRIPTION	MATERIAL	FINISH	QTY

P1	P2	COLOR	LENGTH
△			
△			
△			
△	07/31/2007	RELEASE FOR PRODUCTION	
REV	REVISIONS DATE	DESCRIPTION	

CUSTOMER APPROVED		TOLERANCE UNLESS OTHERWISE SPECIFIED	UNIT: mm
DRAWING:	Tom	07/31/07	.X ±0.30
CHECKED:	Ray	07/31/07	.XX ±0.20
APPROVED:	Paul	07/31/07	.XXX±0.10

MATERIAL:	SEE TABLE
FINISH:	SEE TABLE
SHEET 1 OF 1	SCALE 3/1



CYPRESS
INDUSTRIES
www.cypressindustries.com

Dwg No.	FDU-A09	Part No.	CCUSBA-32001-00X
Description	USB A Type Receptacle Connector R/A DIP Single RoHS compliant		