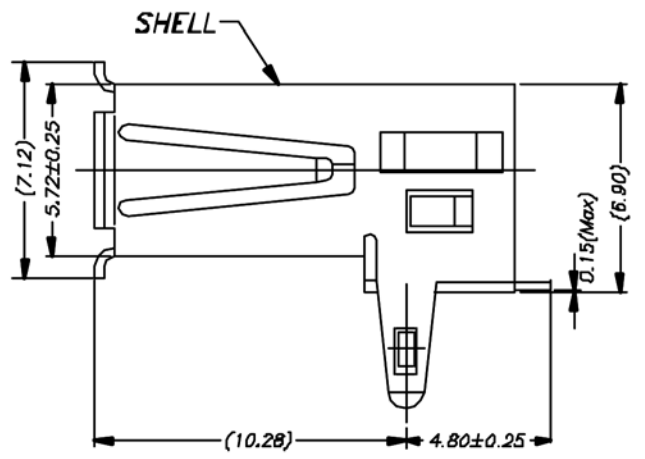
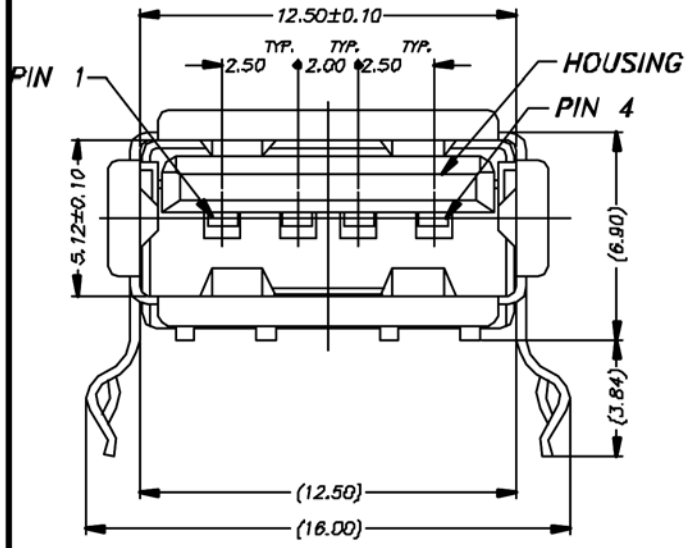
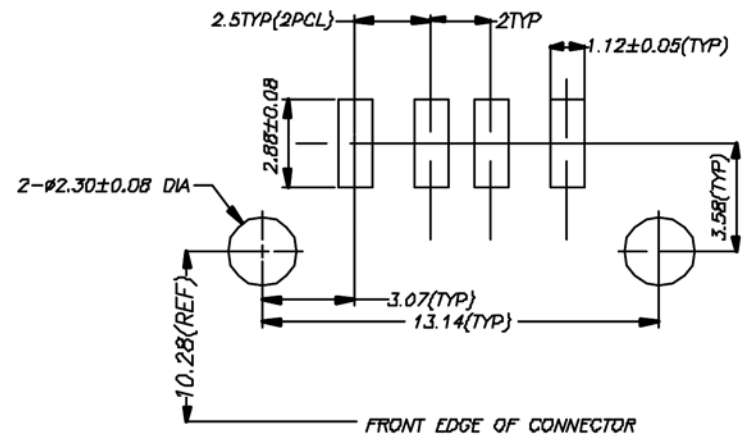
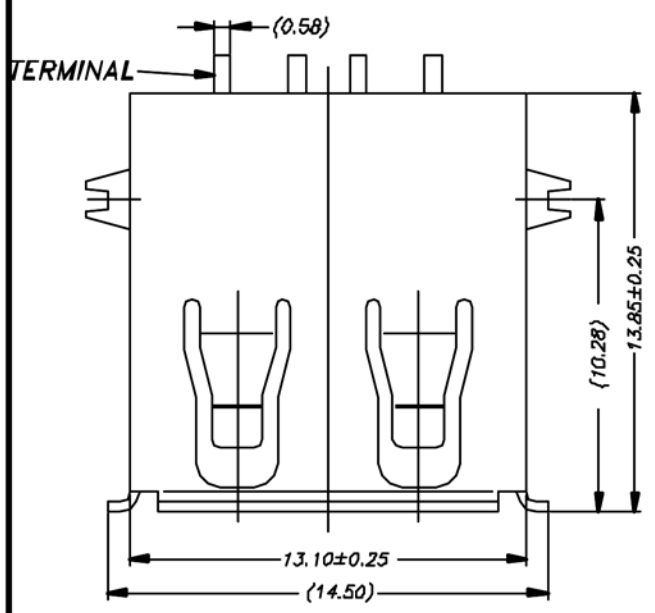


Rev.	DESCRIPTION	DATE
------	-------------	------



NOTE:

1. Material:
 Housing: High Temperature Polyester
 G.F. UL94V-0.
 Shell: Copper Alloy.
 Contact: Copper Alloy.

2. Plating:
 Shell: Solderable Nickel 100u".
 Contact: Au 30u".

 CYPRESS INDUSTRIES www.cypressindustries.com		USB A Type Receptacle R/A SMT Single RoHS compliant		
DATE	04/16/02'	Part No	REV	1
DWN	Evita	CCUSBA-32001-10X	UNIT	MM
CHK	Allen	SCALE: 4/1	SHEET	1/1
APP	C. M. Chang	TOLERANCES	∅X: ±0.50	∅XX: ±0.25
			∠: ±1°	