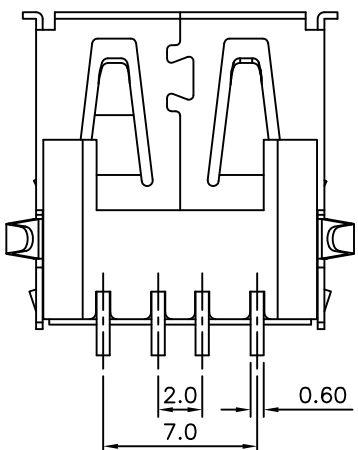
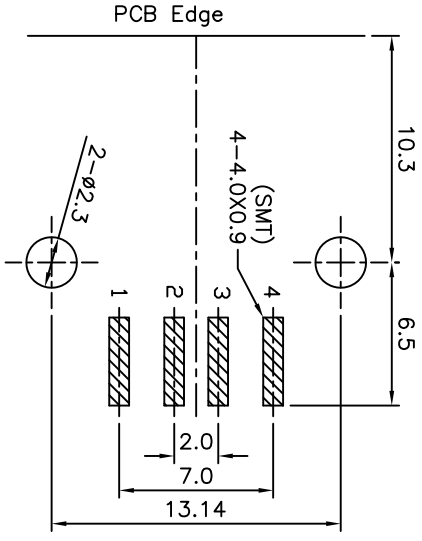
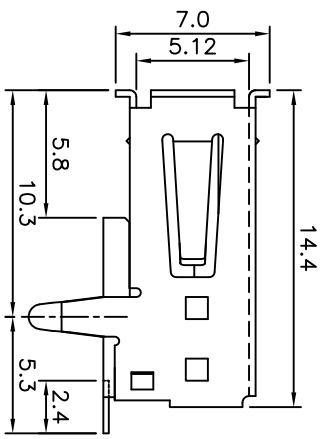
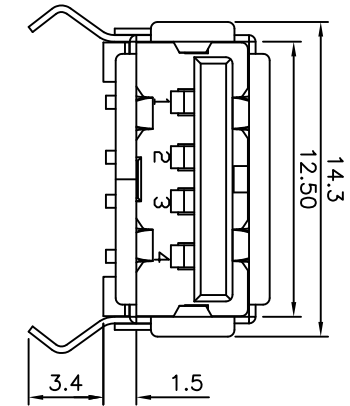


SPECIFICATION

Rated Voltage And Current:1.5A At 250V AC Min.
 Dielectric Withstanding Voltage:500V AC RMS For 1 Minute
 (Rev. 2.0)
 Contact Resistance:30 Milliohms Max.
 Insulation Resistance:1000 Megaohms Min. At 500V DC
 Insertion Force:35N Max.
 Extraction Force:10N Min.
 Durability(Life Test):1500 Cycles
 Housing:PA9T+G.F.,White
 Termindl:Phosphor Bronze
 Gold Plated 30u" On Contact Area,
 Tin Plated On Solder Tail Area,Under Nickel
 Shell:Brass,Nickel Plated
 RoHS Compliant



Recommended P.C.B. Layout(Bottom View)



CATEGORY		APPROVED BY		UNLESS OTHERWISE SPECIFIED TOLERANCES ARE		NO. REV.		REVISIONS		DATE	
PART No. CCUSBA-32001-15		MEI		X. ±0.38		A0		NEW RELEASE		HZF	
DRAWING No. USB1X04SW-2-S30-H		HZF		.X ±0.25						09/15/2009	
SCALE NONE		DRAWING BY WZL		.XX ±0.13						CHK	
REV. A0		UNIT mm		.XXX ±0.05						09/15/2009	