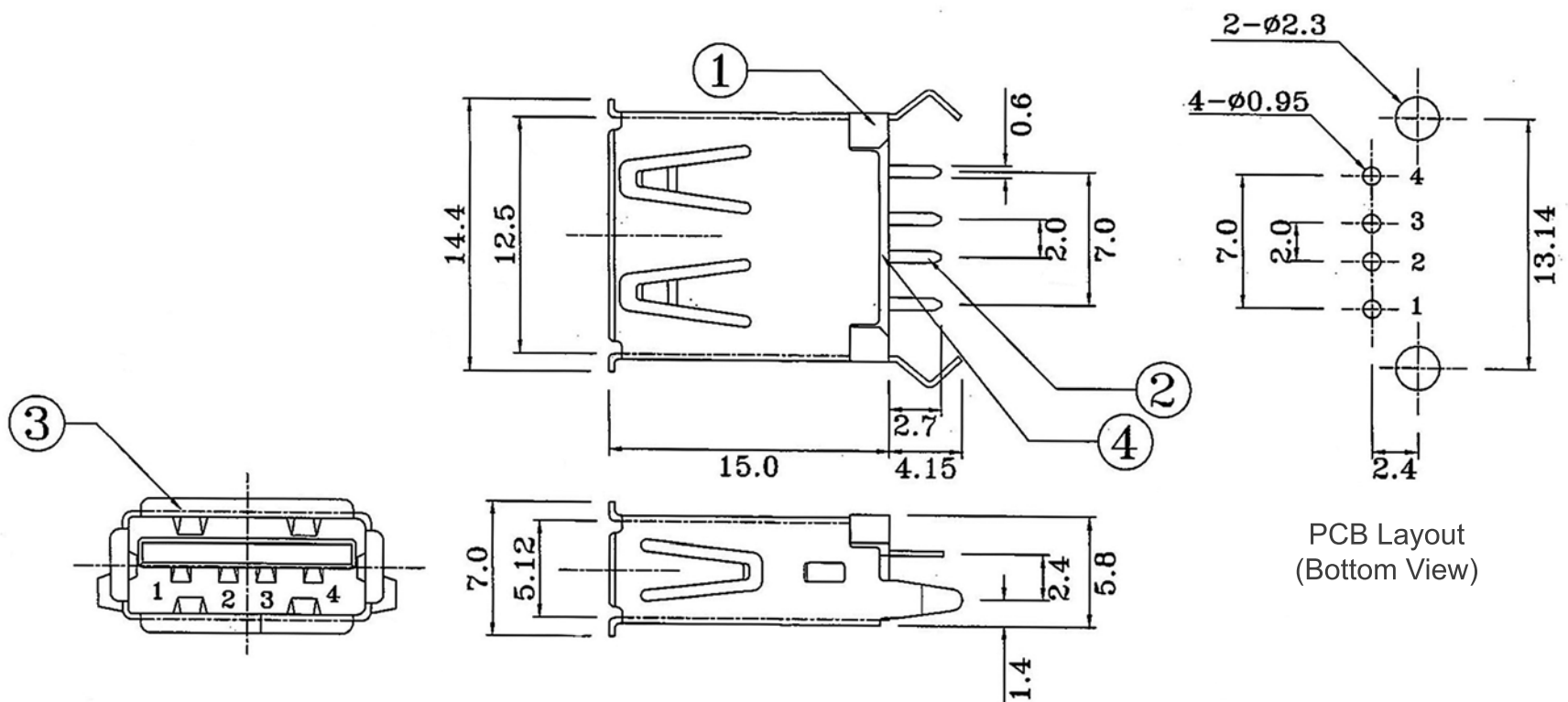


Rev.	DESCRIPTION	DATE
------	-------------	------



PCB Layout
(Bottom View)

Notes

1. Housing - PBT G.F. - Black Color
2. Pin Terminals - Phos. Bronze T:0.25 - Gold/Tin Plated
 NI: 1~1.5u; TIN: 3u
 Gold: 1~3u"
3. Shell - Brass T:0.3 - Nickel Plated - NI: 2~3u
4. Bottom Cover - PBT G.F. - Black Color

 www.cypressindustries.com		USB A Type Receptacle Solder Single RoHS compliant		
DATE	03-05-06	Part No	REV	A
DWN	Tina	CCUSBA-32001-50X	UNIT	MM
CHK		SCALE: 4/1	SHEET	1/1
APP		TOLERANCES	□X: ±0.30 □XX: ±0.15 ∠: ±1°	