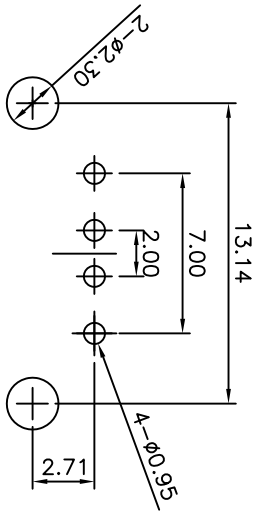
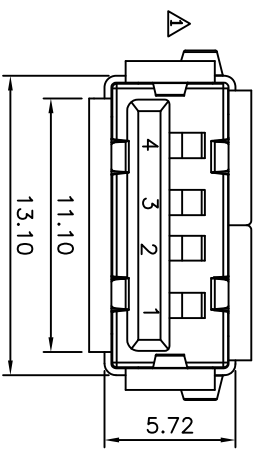
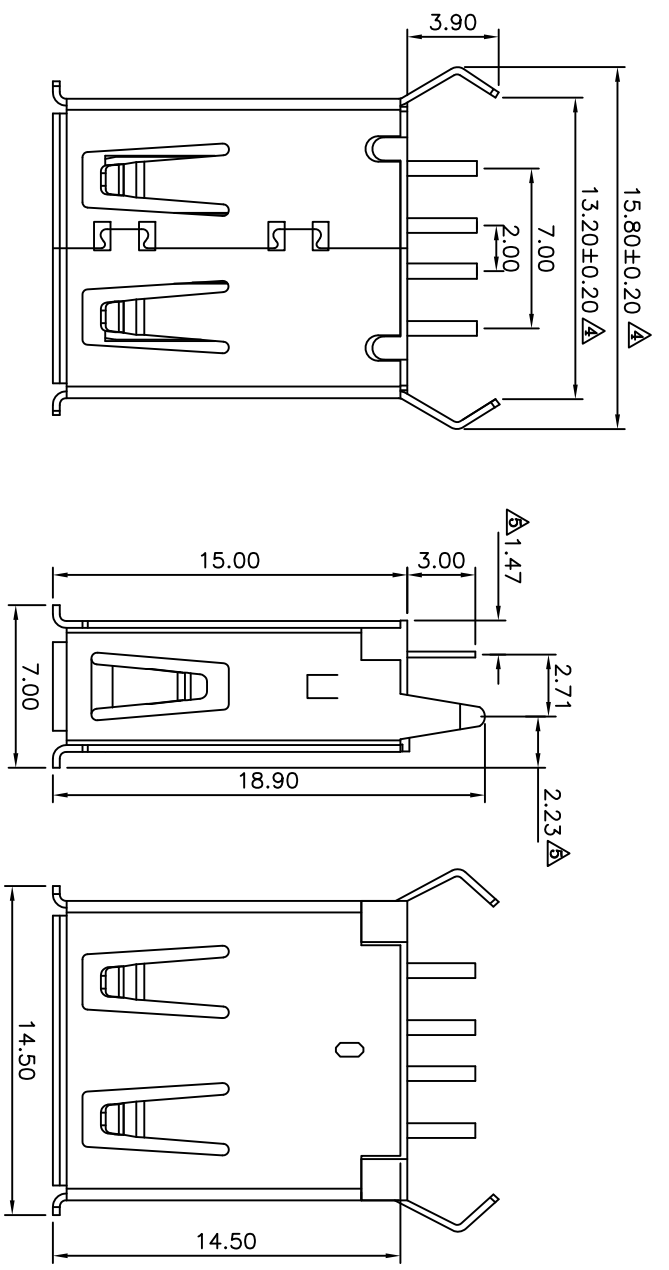


SPECIFICATION
 Current:1.5A Max.
 Voltage:30V Max.
 Withstanding Voltage:500V AC
 Contact Resistance:30 Milliohms Max.
 Insulation Resistance:1000 Megohms Min.
 Temperature Range:-55°C~+85°C
 Mating Force:35N Max.
 Withdrawal Force:10N Min.
 Durability:1500 Cycles Min.
 Contact:Brass
 Gold And Tin Plated Over Nickel
 Insulator:PBT+30%G.F UL94V-0
 Shell:Brass,Nickel Plated Over All
 RoHS Compliant



▲ Recommended PCB Layout

- ▲ USB 1X04 SD-XX-SXX-H
- ▲ (1) (2) (3) (4) (5) (6)
- (1) USB:USB Series
- (2) 1X04:A Type 4Pins
- (3) SD:Female DIP Straight
- (4) XX:Insulator Color
Blank:White
- BK:Black
- (5) SXX:Contact Finish
Blank:Selective Gold Flash
S30:Selective Gold Plated 30u"
- (6) H:RoHS Compliant



CATEGORY	APPROVED BY	UNLESS OTHERWISE SPECIFIED TOLERANCES ARE
PART No. CCUSBA-32001-55	MEI	X ±0.38 X' ±2"
DRAWING No. ▲ USB1X04SD-XX-SXX-H	CHECKED BY HZF	.XX ±0.25 .XX' ±1"
SCALE	REV.	.XXX ±0.13 .XXX' ±0.5"
NONE	AS	UNIT mm

NO.	REV.	REVISIONS	CHK	DATE
A5		Add Dim.	HZF	01/29/2010
A4		Modify Data	HZF	12/01/2009
A3		Modify D/N:USB1X04SD-SXX-H	HZF	10/09/2009
A2		Modify D/N:USB1X04SD-H	HZF	08/05/2009
A1		Add Pin Number&Color	HZF	03/23/2009
A0		NEW RELEASE	HZF	06/18/2008