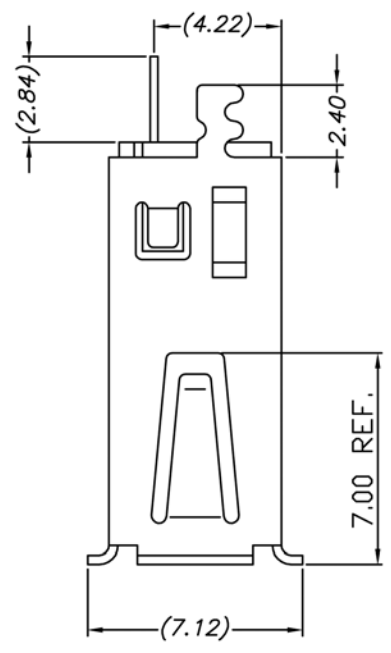
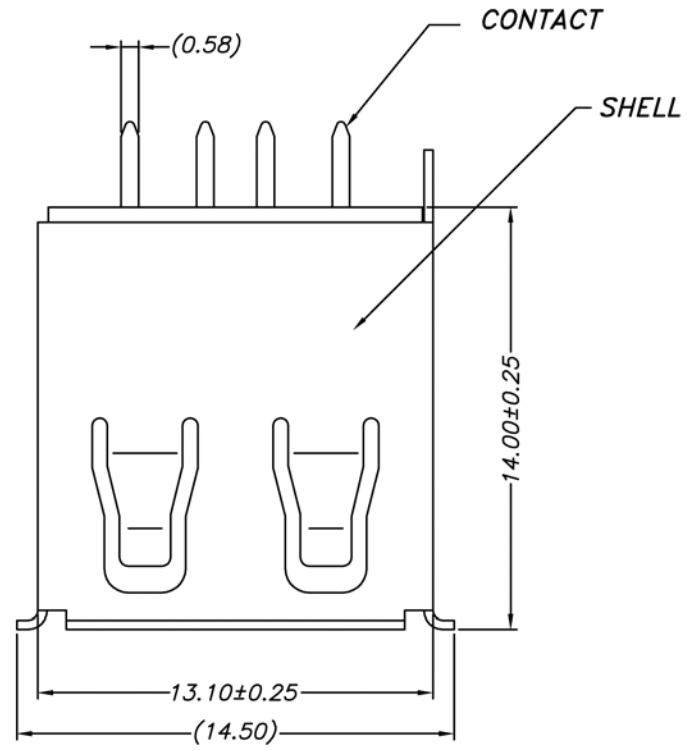


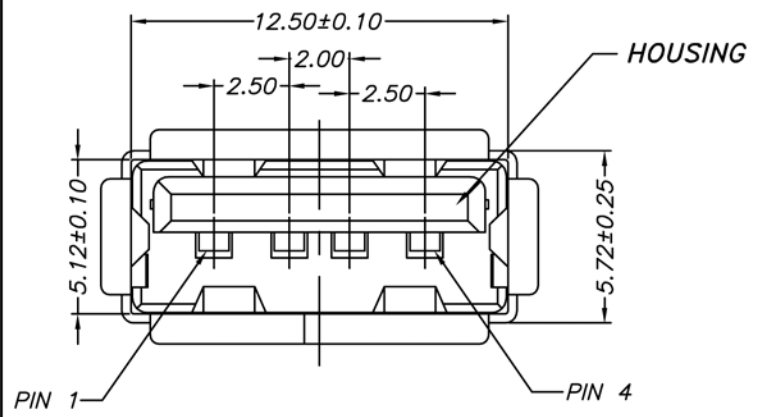
Rev.	DESCRIPTION	DATE
------	-------------	------



NOTE:

1.Material:
 Housing:P.B.T. Polyester+G.F.
 UL94V-0.Color : Black
 Shell: Copper Alloy.(t=0.30)
 Contact: Copper Alloy.(t=0.25)

2.Plating:
 Shell: Nickel 60u".
 Contact(Contact Area): Au 30u".
 Contact(Solder Area):Sn 100u".



 CYPRESS INDUSTRIES www.cypressindustries.com		USB A Type Receptacle Solder Single Side Lock RoHS Compliant	
DATE	03/09/'05	Part No	REV
DWN	Janice	CCUSBA-32001-60X	A
CHK	Allen	SCALE: 4/1	UNIT
APP	E.M. Chang	TOLERANCES	MM
		□X: ±0.30	SHEET 1/1
		□XX: ±0.15	1/1
		∠: ±1°	

E

D

C

B

A