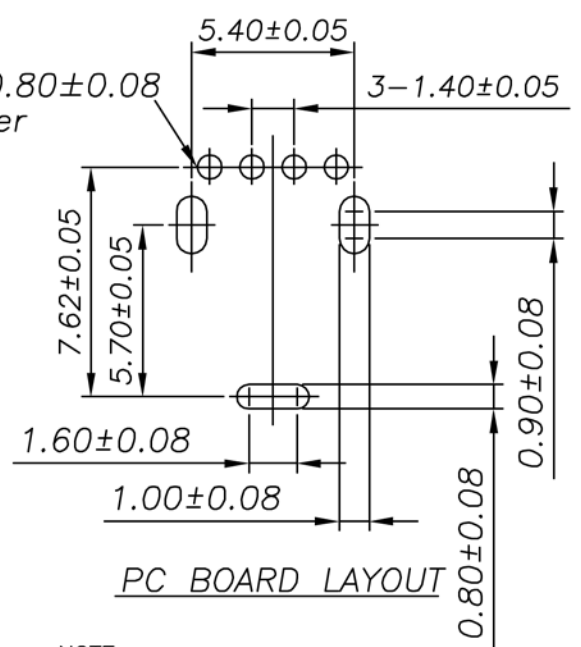
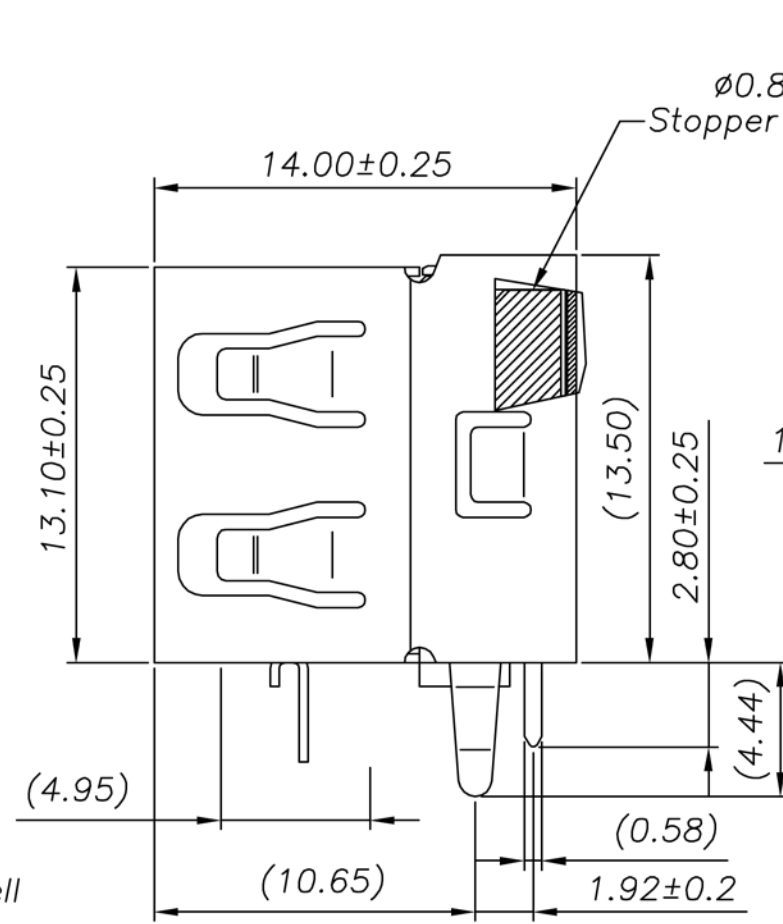
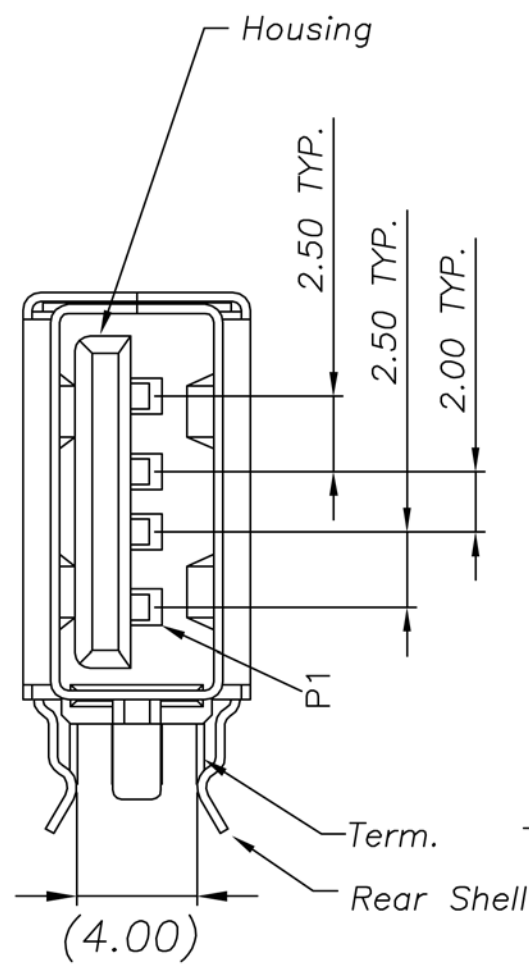


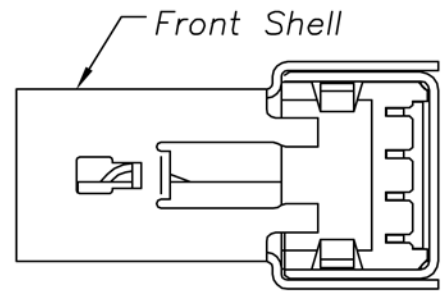
Rev.	DESCRIPTION	DATE
------	-------------	------



NOTE:

1.Material:  
 Housing: P.B.T.G.F. UL94V-0.Color: Black  
 Front Shell: Copper Alloy.(T=0.30)  
 Rear Shell: Copper Alloy.(T=0.30)  
 Contact: Copper Alloy.(T=0.25)

2.Plating:  
 Front Shell: Ni 40u"  
 Rear Shell: Ni 40u"  
 Contact(Contact Area): Au 30u".  
 Contact(Solder Area): Sn 100u".



		USB A Type Receptacle, Single Up-Right DIP RoHS Compliant	
DATE	01/17/2005*	Part No.	CCUSBA-32001-70X
DWN	Fanice	REV	A
CHK	Allen	UNIT	MM
APP	E.M.Chang	SHEET	1/1
TOLERANCES		SCALE:	4/1
		O.X:	±0.50
		O.XX:	±0.25
		∠:	±1°

E

D

C

B

A