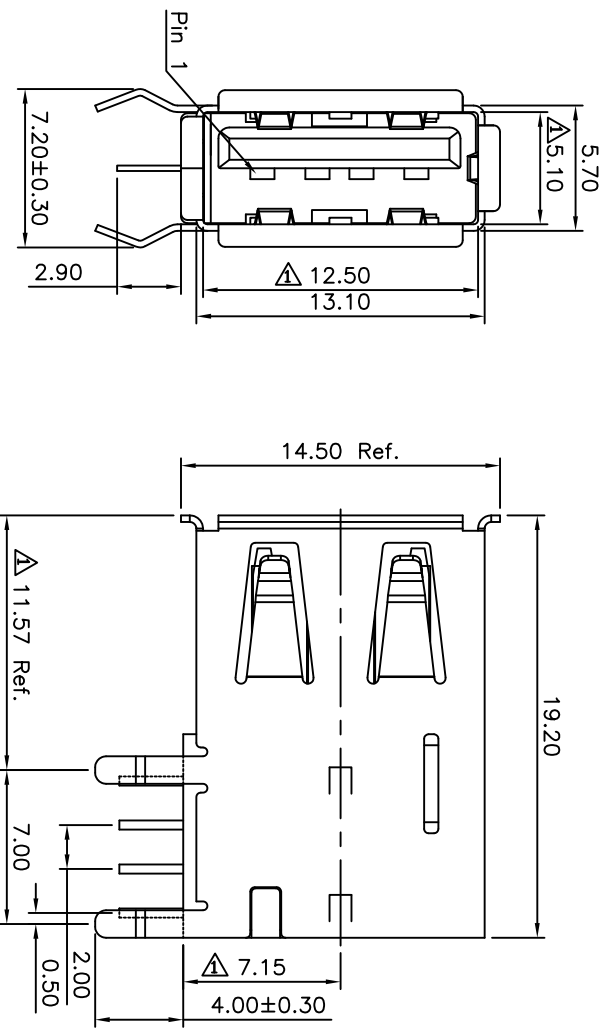
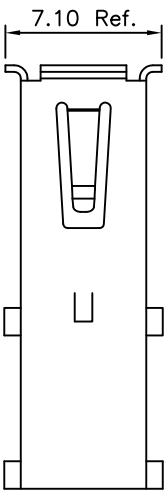


Recommended P.C.B. Layout



**△ SPECIFICATION**

Current:1.5A Max.  
 Voltage:30V Max.  
 Withstanding Voltage:500V AC  
 Contact Resistance:30 Milliohms Max.  
 Insulation Resistance:1000 Megaohms Min.  
 Temperature Range:-55°C~+85°C  
 Mating Force:35N Max.  
 Withdrawal Force:10N Min.  
 Durability:1500 Cycles Min.  
 Contact:Phosphor Bronze  
 Gold Plated On Contact Area  
 Tin Plated On Solder Area  
 Nickel Plated Over All  
 Insulator:PBT+30%G.F.(UL94V-0)  
 Back Cup:PBT+30%G.F.(UL94V-0)  
 Shell:Brass,Nickel Plated Over All  
 Back Shell:SPCC,Nickel Plated Over All  
 RoHS Compliant

USB1X04SU-XX-SXX-H  
 (1) (2)

- (1) Insulator Color  
 Blank:White  
 BK:Black
- (2) Contact Finish  
 Blank:Gold Flash Over Nickel  
 S03:Selective Gold Plated 3u" Over Nickel  
 S30:Selective Gold Plated 30u" Over Nickel

		CATEGORY CCUSBA-32001-90		APPROVED BY MEI		UNLESS OTHERWISE SPECIFIED TOLERANCES ARE X ±0.38 X' ±2" .XX ±0.25 .XX' ±1" .XXX ±0.13 .XXX' ±0.5"	
PART No. CCUSBA-32001-90		CHECKED BY HZF		DRAWING No. USB1X04SU-XX-SXX-H		DRAWING BY QOJ	
SCALE NONE		REV. A1		UNIT mm		NO.REV. A0 NEW RELEASE	
				REVISIONS HZF 02/05/2010 HZF 06/14/2009		DATE CHK	