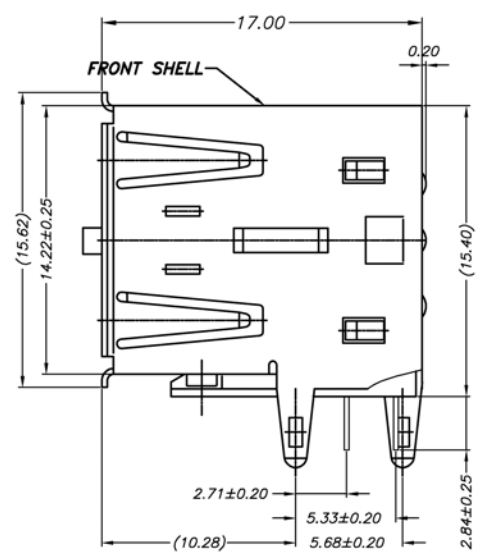
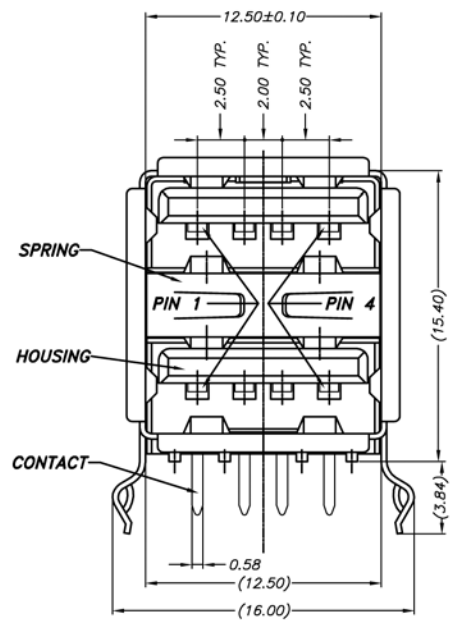
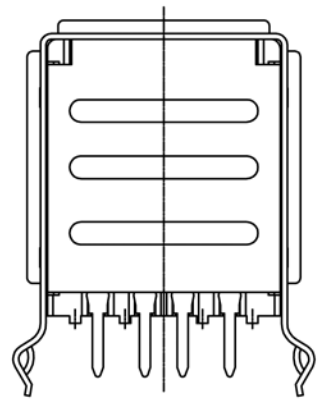
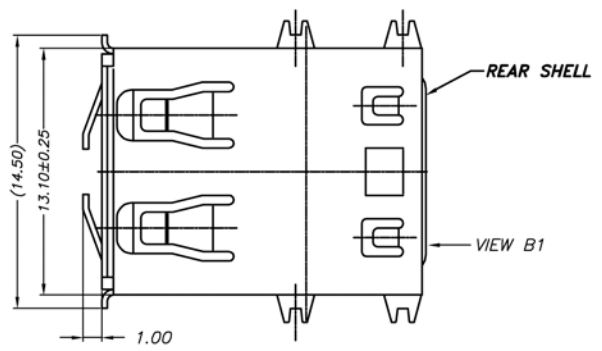
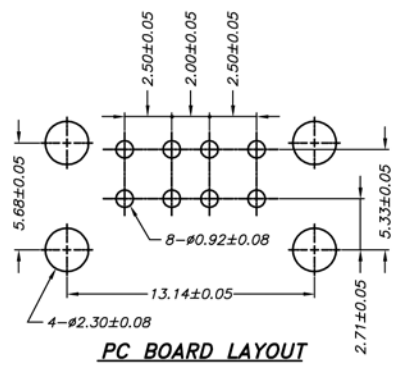


Rev.	DESCRIPTION	DATE
------	-------------	------



**NOTE:**

- Material:
  - Housing: High Temperature Polyester G.F. UL94V-0. Color : Black
  - Front Shell: Copper Alloy.
  - Spring Shell: Copper Alloy.
  - Rear Shell: Steel
  - Contact: Copper Alloy.
- Plating:
  - Front Shell: Ni 40u".
  - Spring Shell: Ni 100u".
  - Rear Shell: Ni 100u".
  - Contact(Contact Area): Au 30u".
  - Contact(Solder Area): Sn 100u".

 www.cypressindustries.com		USB A Type Receptacle Connector, R/A, DIP, Double Stack, w/Ground, w/Rear Shell, RoHS compliant		
DATE	07/20/04'	Part No	REV	1
DWN	Janice	CCUSBA-32002-00X	UNIT	MM
CHK	Allen	SCALE: 2.5/1	SHEET	1/1
APP	C.M.Chang	TOLERANCES	□X: ±0.30    □XX: ±0.15    ∠: ±1°	

E  
D  
C  
B  
A