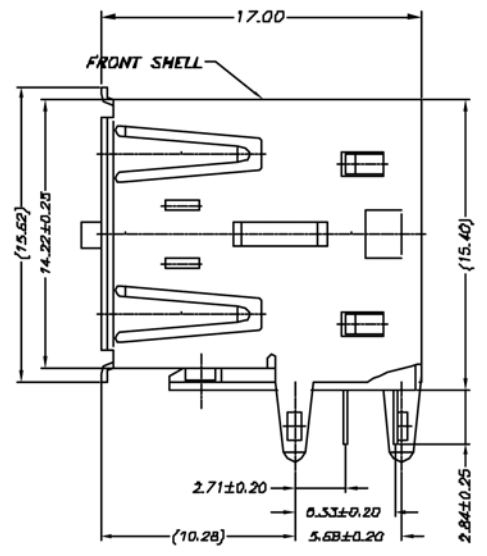
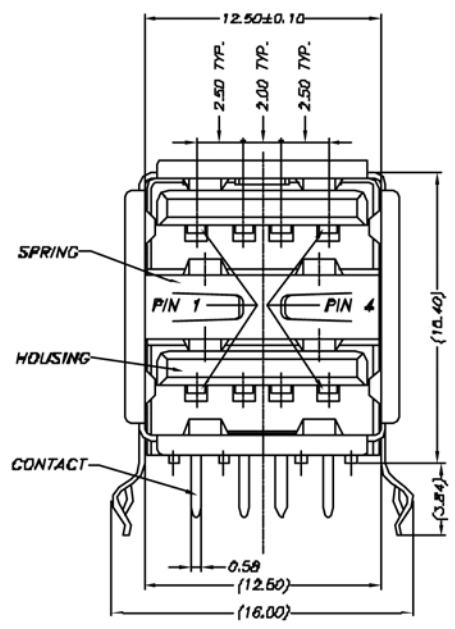
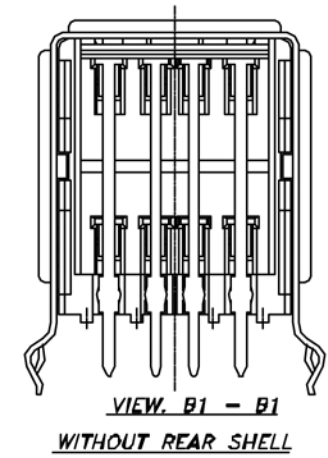
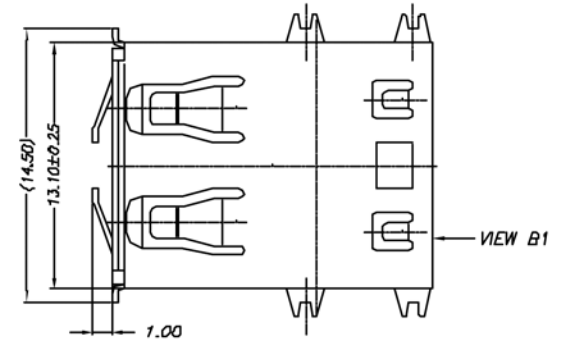
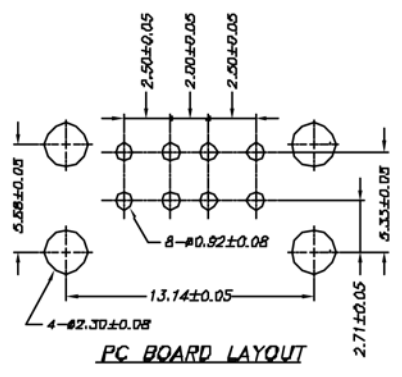


Rev.	DESCRIPTION	DATE
------	-------------	------



NOTE:
 1. Material:
 Housing: High Temperature Polyester
 G.F. UL94V-0. Color : Black
 Front Shell: Copper Alloy.
 Spring Shell: Copper Alloy.
 Contact: Copper Alloy.
 2. Plating:
 Front Shell: Ni 40u".
 Spring Shell: Ni 100u".
 Contact(Contact Area): Au 30u".
 Contact(Solder Area): Sn 100u".

 www.cypressindustries.com		Description USB A Type Receptacle R/A DIP Stack Ground w/o Rear Shell RoHS compliant	
DATE	01/27/2005 ¹	Part No	CCUSBA-32002-10X
DWN	Jonica	REV	A
CHK	Allen	UNIT	mm
APP	B.M. Chang	SCALE	2.5/1
TOLERANCES		∅X: ±0.50	∅XX: ±0.25
			∠: ±1°

E
D
C
B
A