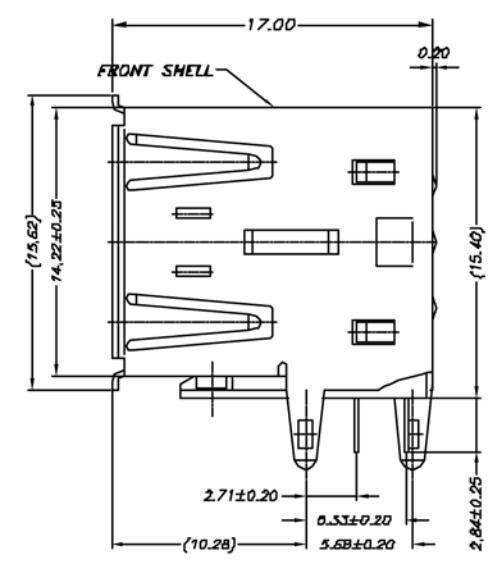
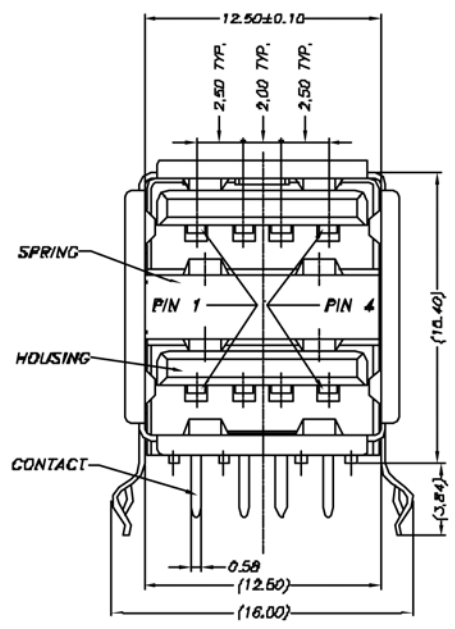
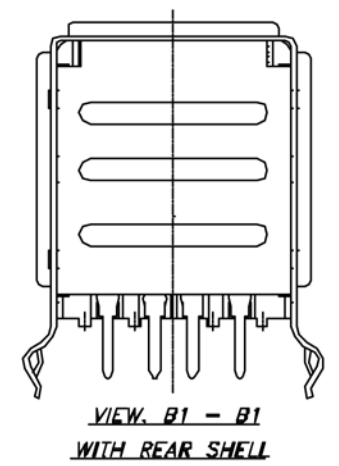
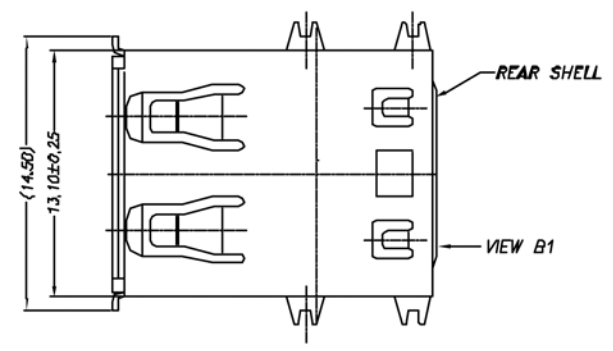
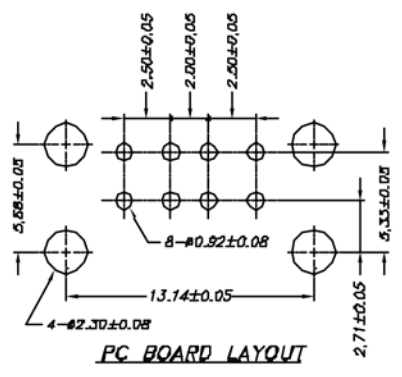


Rev.	DESCRIPTION	DATE
------	-------------	------



NOTE:
 1. Material:
 Housing: High Temperature Polyester
 G.F. UL94V-0. Color: Black
 Front Shell: Copper Alloy,
 Spring Shell: Copper Alloy,
 Rear Shell: SPCC,
 Contact: Copper Alloy.
 2. Plating:
 Front Shell: Tin-Lead 120u",
 Spring Shell: Ni 120u",
 Rear Shell: Ni 120u",
 Contact: Au 30u".

 www.cypressindustries.com		Description: USB A Type, Receptacle R/A DIP Stack W/ Rear Shell RoHS Compliant	
DATE	03/07/03'	Part No	REV
DWN	<i>Evta</i>	CCUSBA-32002-20X	1
CHK	<i>Allen</i>	SCALE: 2.5/1	UNIT
APP	<i>C.M. Chang</i>	TOLERANCES	MM
		0.X: ±0.50	1/1
		0.XX: ±0.25	1/1
		∠: ±1°	

E
D
C
B
A