

6

5

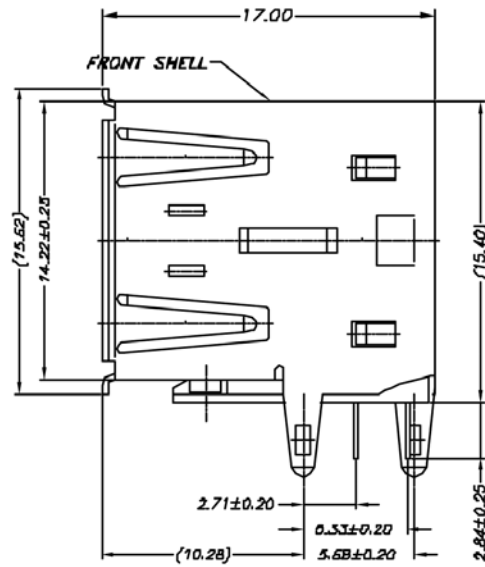
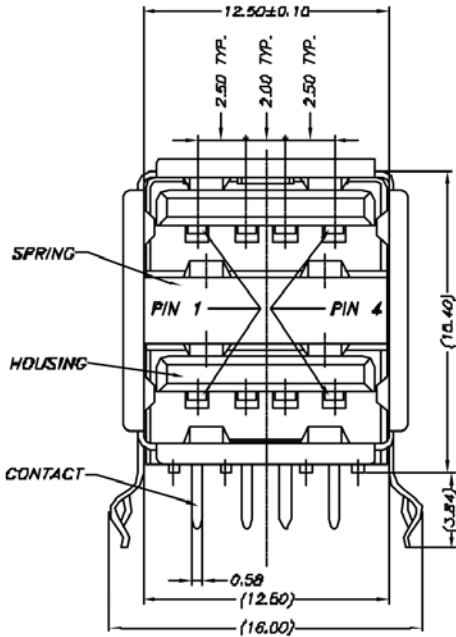
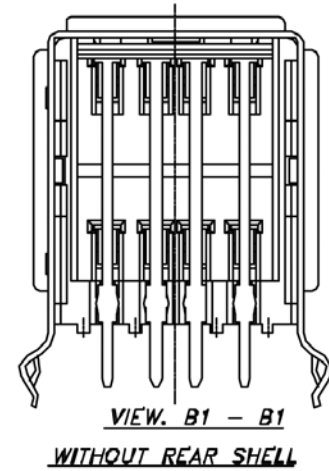
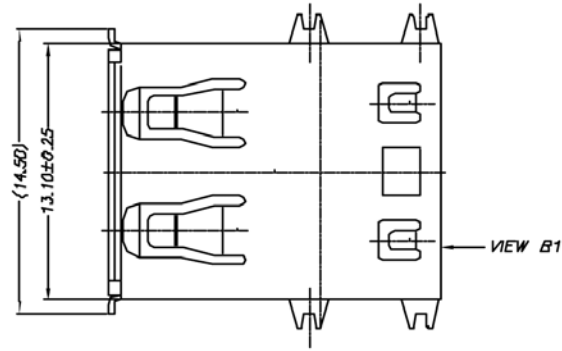
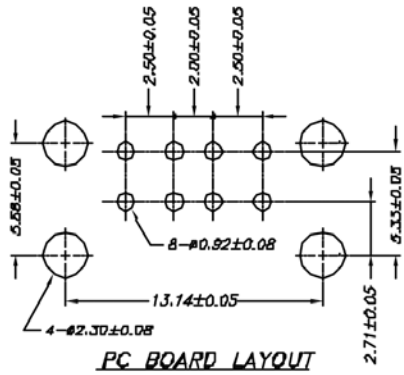
4

3

2


1

Rev.	DESCRIPTION	DATE
------	-------------	------



**NOTE:**

- 1.Material:  
Housing: High Temperature Polyester  
G.F. UL94V-0.Color: Black  
Front Shell: Copper Alloy.  
Spring Shell: Copper Alloy.  
Contact: Copper Alloy.
- 2.Plating:  
Front Shell: Ni 40u".  
Spring Shell: Ni 100u".  
Contact(Contact Area): Au 30u".  
Contact(Solder Area): Sn 100u".

 CYPRESS INDUSTRIES www.cypressindustries.com		USB A Type, Receptacle R/A DIP Stack W/O Rear Shell RoHS compliant	
		DATE	01/27/'05
DWN	Janic	REV	A
CHK	Allen	UNIT	mm
APP	E.M. Chang	SHEET	1/1
TOLERANCES		D.X: ±0.50	□X: ±0.25
		∠: ±1°	