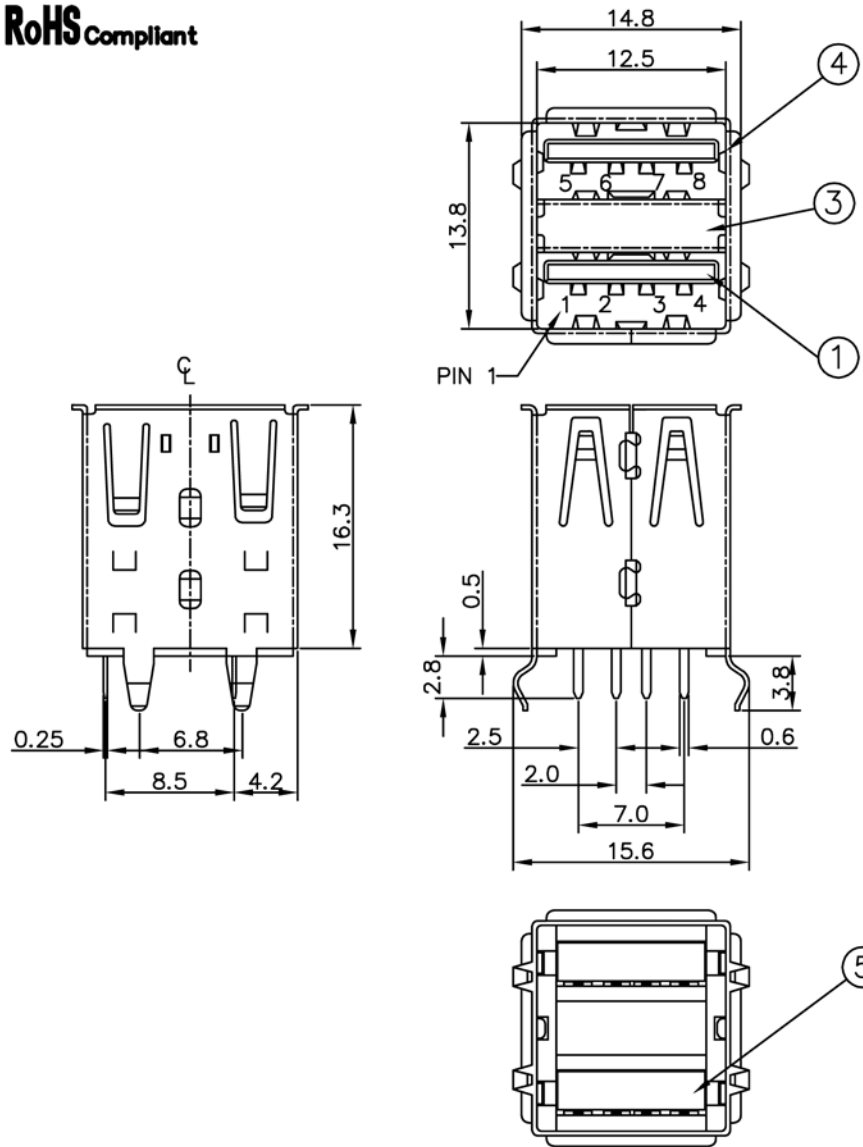
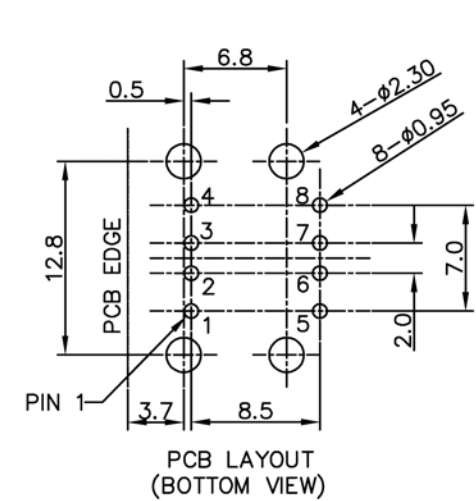


RoHS Compliant



Notes:

1. A Type
2. Female
3. Gold Flash Plating
4. Double Stack
5. Top Entry
6. PCB Type
7. Without Grounding Tab



5	SPACER	P.C.	NATURAL	2
4	SHELL	BRASS	NICKEL PLATED	1
3	SHELL	BRASS	NICKEL PLATED	1
2	PIN TERMINAL	PHOSPHOR BRONZE	GOLD-TIN PLATED	8
1	HOUSING	PBT	WHITE	1

P1	P2	COLOR	LENGTH
△			
△			
△	08/29/2005		ECR0508011
△	03/15/2004		RELEASE FOR PRODUCTION
REV	REVISIONS DATE	DESCRIPTION	

CUSTOMER APPROVED	DRAWING:	DATE	TOLERANCE UNLESS OTHERWISE SPECIFIED	UNIT:
	Rosie	08/29/05'	.X ±0.25	X' ±
	Ray	08/29/05'	.XX ±0.15	.X' ±
	Paul	08/29/05'	.XXX±0.05	.XX' ±

NO.	DESCRIPTION	MATERIAL	FINISH	QTY
Description USB A Type Receptacle Vertical, Stack DIP W/O Grounding Tab RoHS Compliant				
MATERIAL: SEE TABLE				
FINISH: SEE TABLE		DRW. NO.	FDU-A05	Part No
SHEET 1 OF 1		CUSTOMER NAME		CCUSBA-32002-50X

