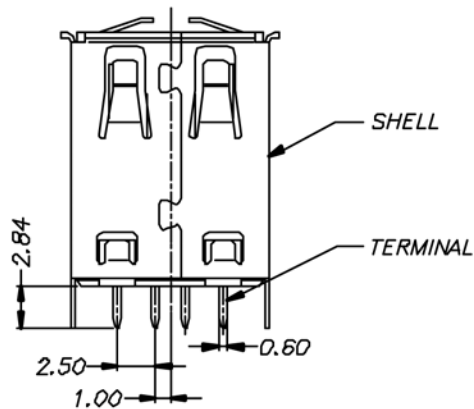
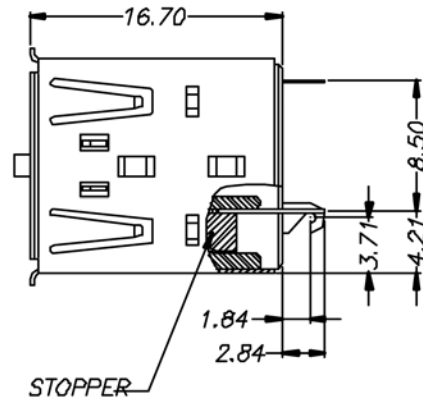
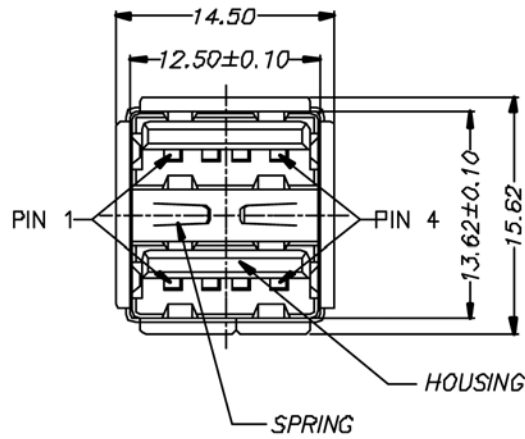
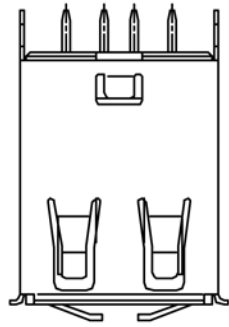




Rev.	DESCRIPTION	DATE
------	-------------	------



NOTE:
 1.Material:
 Housing: High Temperature Polyester
 G.F. UL94V-0.
 Stopper: PE.
 Shell: Copper Alloy.
 Spring Shell: Copper Alloy.
 Contact: Copper Alloy.
 2.Plating:
 Shell: Tin-Lead 120u",
 Spring Shell: Ni 120u",
 Contact: Au 30u".

		Description		USB A Type Receptacle Solder Double Stack W/ Ground Cable Mount RoHS Compliant	
DATE	04/17/02'	Part No		REV	1
DWN	<i>Evita</i>	CCUSBA-32002-70X		UNIT	MM
CHK	<i>Allen</i>		SCALE: 2/1	SHEET	1/1
APP	<i>C. M. Chang</i>	TOLERANCES	ØX: ±0.50	ØXX: ±0.25	∠: ±1°