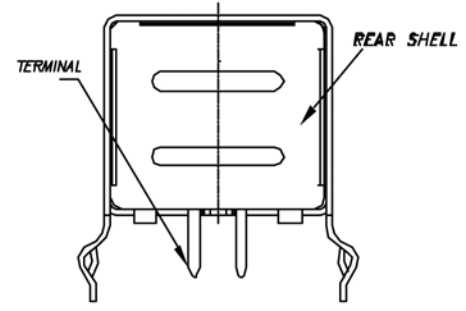
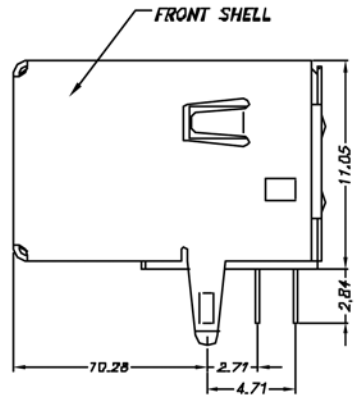
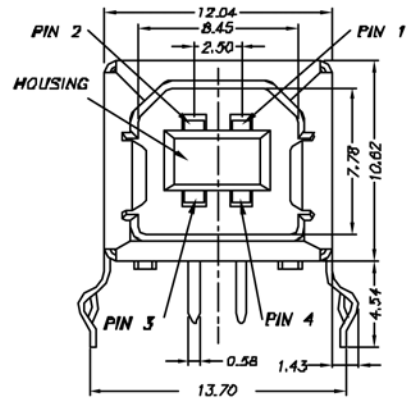
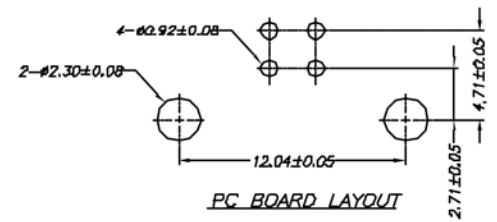
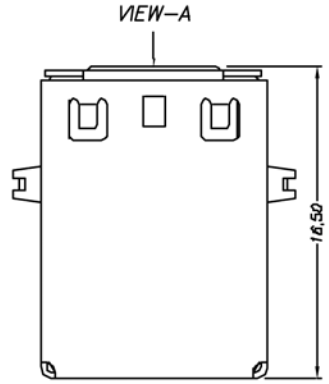


Rev.	DESCRIPTION	DATE
B	Modify Tolerance & Material	04/25/2006



With Rear Shell

NOTE:

- Material:
 - Housing: Nylon +30%G.F. UL94V-0, Color : Black
 - Front Shell: Copper Alloy.
 - Rear Shell: Steel
 - Contact: Copper Alloy.
- Plating:
 - Front Shell: Ni 40u"
 - Rear Shell: Ni 100u"
 - Contact(Contact Area): Au 30u"
 - Contact(Solder Area): Sn 100u"

		Description USB B Type Receptacle Connector R/A DIP Single W/ Rear Shell RoHS Compliant	
DATE	04/25/06'	Part No	CCUSBB-32004-00X
DWN	Janice	REV	B
CHK	Allan	UNIT	MM
APP	B.M. Chang	SHEET	1/1
TOLERANCES		SCALE: 2.5/1	∠: ±2°
		∅X: ±0.50	∅XX: ±0.25