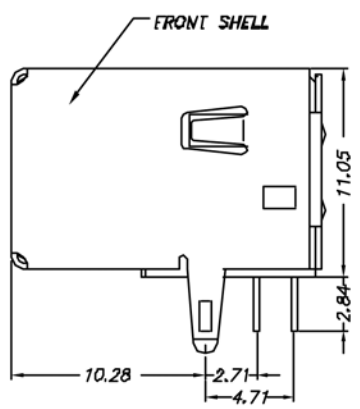
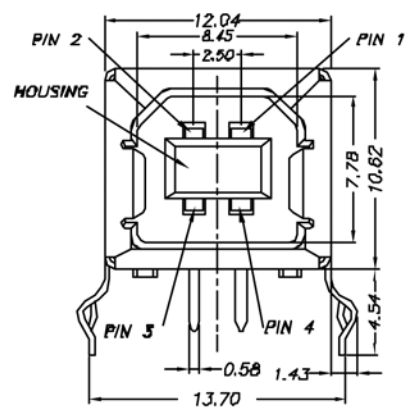
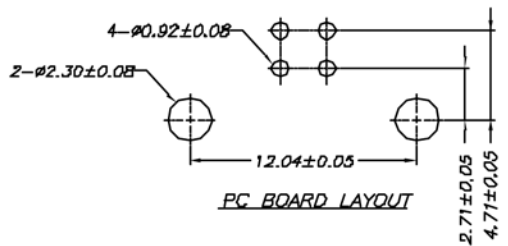
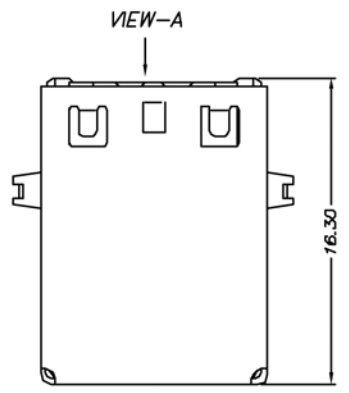
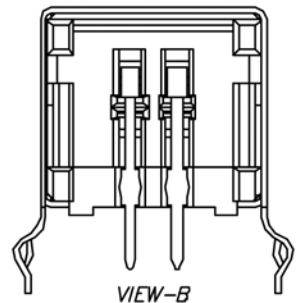


6 5 4 3 2 1


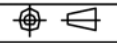
Rev.	DESCRIPTION	DATE
2	Change P/N & Plating	07/28/'04



NOTE:
 1.Material:
 Housing: High Temperature Polyester
 G.F. UL94V-0.Color : Black
 Front Shell: Copper Alloy.
 Contact: Copper Alloy.
 2.Plating:
 Front Shell: Ni 40u"
 Contact(Contact Area): Au 30u".
 Contact(Solder Area): Sn 100u".



Without Rear Shell

		Description USB B Type Receptacle R/A DIP Single W/O Rear Shell RoHS Compliant			
DATE	07/28/04'	Part No	REV	2	
DWN	Jamico		UNIT	mm	
CHK	Allen	 SCALE: 2.5/1	SHEET	1/1	
APP	E.M. Chang		TOLERANCES	ØX: ±0.50	ØXX: ±0.25

E
D
C
B
A