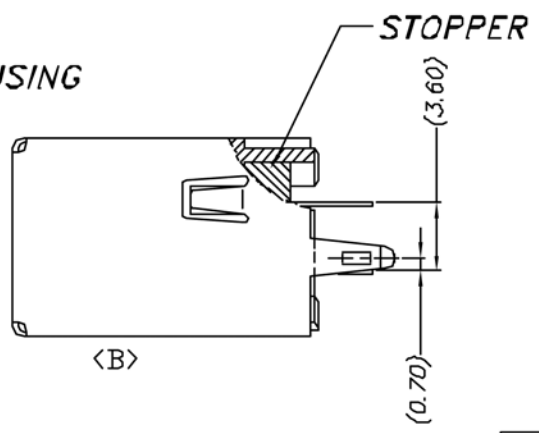
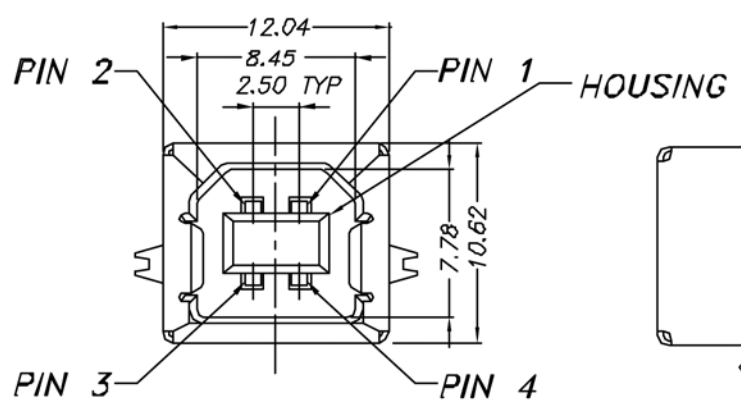
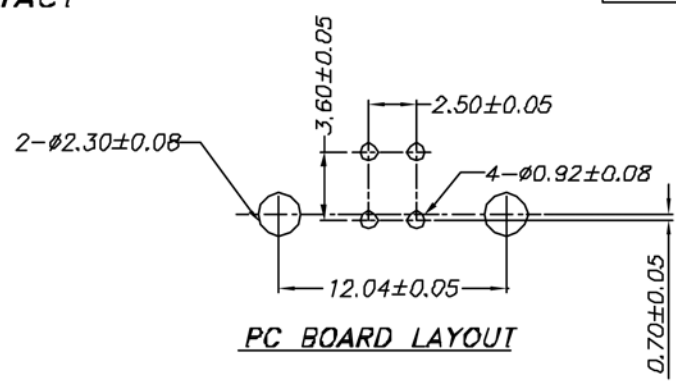
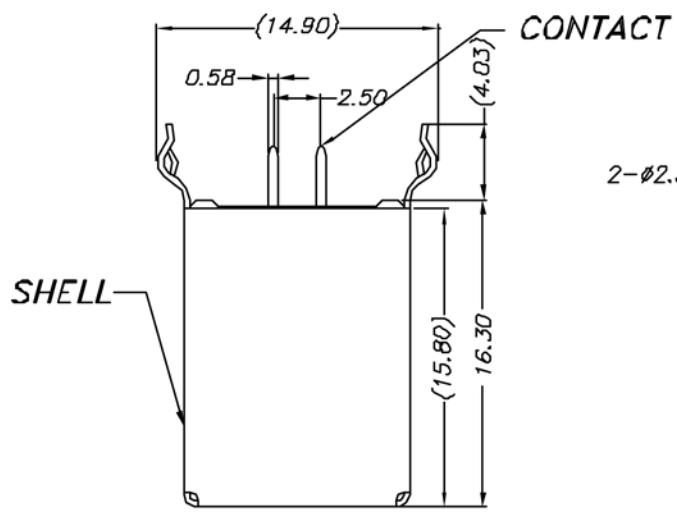



6 5 4 3 2 1

Rev.	DESCRIPTION	DATE
B	Modify Drawing	8/22/'05
C	Modify Tolerance	8/22/'05



NOTE:
 1.Material:
 Housing: P.B.T.+G.F.30% UL94V-0,Color :Black
 Stopper: P.B.T+G.F.30% UL94V-0.
 Shell: Copper Alloy.
 Contact: Copper Alloy.
 2.Plating:
 Shell: Ni 40u".
 Contact(Contact Area): Au 30u".
 Contact(Solder Area): Sn 100u".

		Description USB B Type Receptacle Vertical DIP Single 3.60mm RoHS Compliant	
DATE	04/25/06'	Part No	REV
DWN	Janice	CCUSBA-32002-30X	C
CHK	Allen	SCALE: 2.5/1	UNIT
APP	E.M. Chang	TOLERANCES	MM
		0.X: ±0.50	SHEET 1/1
		0.XX: ±0.25	∠: ±2°

E
D
C
B
A