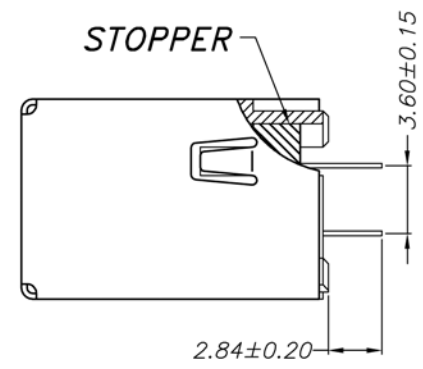
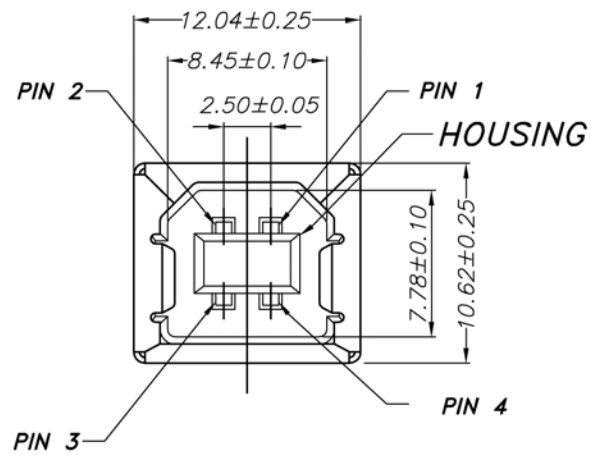
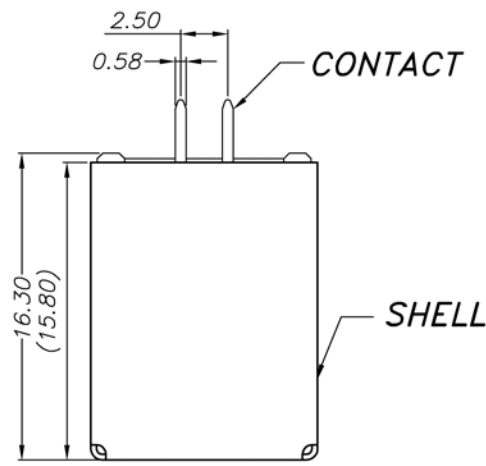

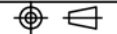


Rev.	DESCRIPTION	DATE
------	-------------	------



NOTE:

- 1.Material:
 - Housing: High Temperature Polyester G.F. UL94V-0. Color : Black
 - Stopper: Temperature Polyester G.F. UL94V-0.
 - Shell: Copper Alloy.
 - Contact: Copper Alloy.
- 2.Plating:
 - Shell: Ni 40u".
 - Contact(Contact Area): Au 30u".
 - Contact(Solder Area): Sn 100u".

 CYPRESS INDUSTRIES www.cypressindustries.com		Description		
		USB B Type Receptacle Solder Single RoHS Compliant		
DATE	05/06/'05	Part No	REV	A
DWN	<i>Fanice</i>	CCUSBB-32004-40X	UNIT	MM
CHK	<i>Allen</i>		SCALE: 2.5/1	SHEET 1/1
APP	<i>E.M. Chang</i>	TOLERANCES	□X: ±0.30 □XX: ±0.15	∠: ±1°

E
D
C
B
A