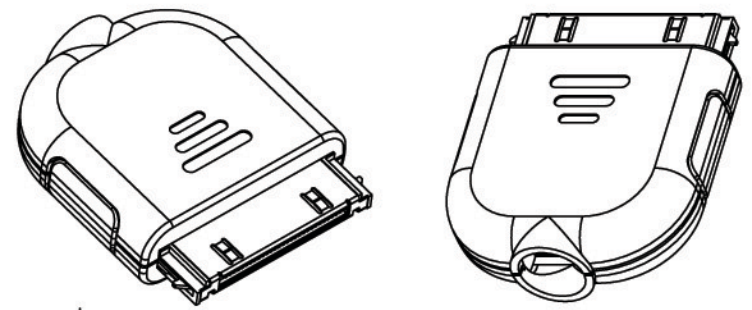
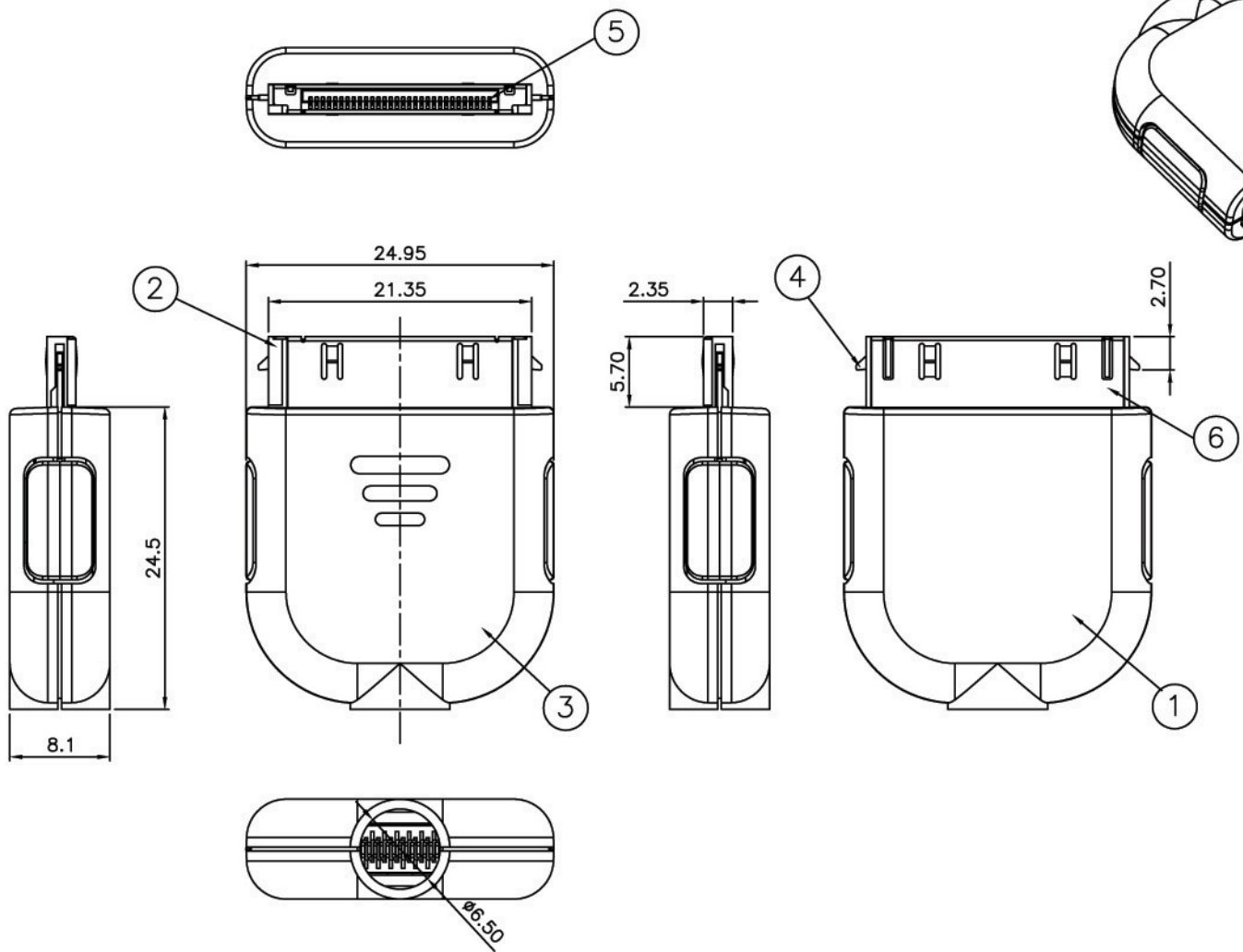


ITEM ??	PARTS NAME □?□?殼	Q'TY ??	MATERIAL ??	FINISH/REMARK □?/□?
1	BOTTOM COVER	1	A.B.S	-
2	HOUSING	1	PA46	-
3	TOP COVER	1	A.B.S	-
4	LATCH	1	SUS 301	Non-plating
5	CONTACT	30	Phosphor Bronze	Gold flash selective
6	SHELL	1	SUS 301	Non-plating



SPECIFICATION
MATERIAL
 See drawing
STANDARD DATA
 Rating current: 1.0A
 Applicable wire: AWG#26 Max.
 Operating temperature: $-30^{\circ}\text{C} \sim +60^{\circ}\text{C}$
 Storage temperature: $-40^{\circ}\text{C} \sim +85^{\circ}\text{C}$
ELECTRICAL
 Insulator resistance: 1000M ohms Min. @ 250 VDC
 Withstanding voltage: 100 VAC / minute
 Contact resistance: 50 m ohms Max.
MECHANICAL
 Mating force: 30N(3.06kgf) Max.
 Unmating force (Without lock): 4.2N(0.43kgf) Min.
 Durability: 10000 cycles Min.
 Contact retention force: 4.2N(0.43kgf) Min
 PART NO.

SERIES A 1 3 - 599 - 30 07
 MODEL NO. TYPE NO. CONTACT NUMBER
 A=Plug in 07=Type 7 30=30position
 TYPE 1=0.5mm pitch
 CONTACT TYPE 3=SMT type

Cypress Industries
 www.cypressindustries.com

REV. ??	ECN NO. □□□□	MARK ??	REVISIONS □□□□	SIGN ??	DATE ??	UNLESS OTHERWISE SPECIFIED TOLERANCE ? ? ? ?	CHECKED ??	DESIGNED ??	TITLE	UNIT	SCALE	PART NO. □□□□	REV. ??
A	E0503-005	X 0	□□□□	JIMMY	03/07/05	X. ± 0.50 .X ± 0.30 .XX ± 0.20 ANG. $\pm 5^{\circ}00'$	APPROVED ??	JIMMY 03/07/05'	PLUG IN CONNECTOR SMT type-30 position	MM	2/1	CCA13-599-3007	??
								JIMMY 03/07/05'				CUT-599-019	A