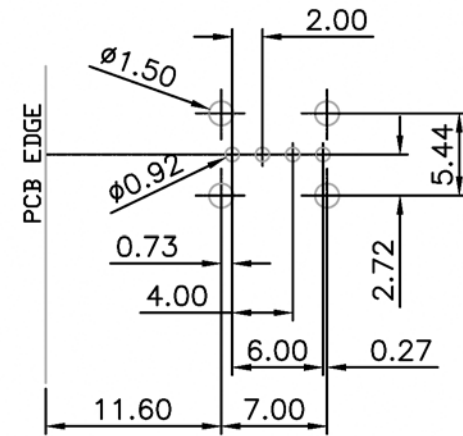


Notes:

1. A Type
2. Female
3. Plating: Gold Flash
4. Single
5. Up-Right
6. Housing Color: Black




PCB LAYOUT
(BOTTOM VIEW)

NO.	DESCRIPTION	MATERIAL	FINISH	QTY
5	BOTTOM	P.B.T G.F	COLOR:BLACK	1
4	SHELL	SPCC	T:0.3 NICKEL PLATED(NI:2~3u)	1
3	SHELL	BRASS	T:0.3 NICKEL PLATED (NI:2~3u)	1
2	PIN TERM	PHOS BRONZE	T:0.25 GOLD/TIN PLATED	4
1	HOUSING	P.B.T G.F	COLOR:BLACK	1

P1	COLOR	LENGTH
3		
2		
1		
0	11/24/2003	RELEASE FOR PRODUCTION
REV	REVISIONS DATE	DESCRIPTION

CUSTOMER APPROVED		/ /	TOLERANCE UNLESS OTHERWISE SPECIFIED	UNIT: mm
DRAWING:	Tom	11/24/03'	.X ± 0.30	X.' ±
CHECKED:	Ray	11/24/03'	.XX ± 0.25	.X' ±
APPROVED:	Paul	11/24/03'	.XXX ± 0.15	.XX' ±

MATERIAL: SEE TABLE	
FINISH: SEE TABLE	
SHEET 1 OF 1	SCALE 3/1



CYPRESS
INDUSTRIES
www.cypressindustries.com

Part Number	Description
CCUSBA-32001-80X	USB A Type Receptacle Up-Right DIP Type II RoHS compliant