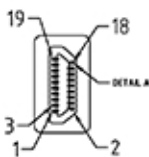
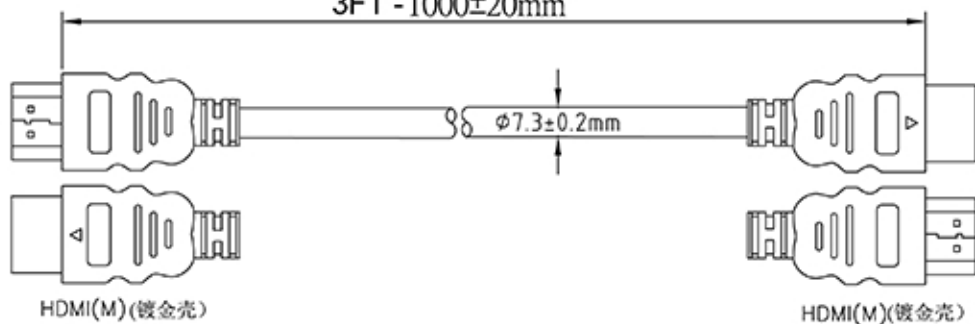
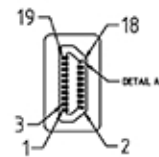


3FT - 1000±20mm



NOTE:

1. CABLE: 28AWG, UL20276, AL+B-FOIL, [(#28*1P+D+FAM)*4PCS+#28*7C]+AM+B, BLACK COLOR, CD=7.3mm, PVC JACKET
2. LENGTH: 1000mm.
3. CONNECTORS: HDMI19P(M)*2PCS, Gold-Plate, PIN Gold flash(1~3u")(BLACK INSULATOR).
4. MOLD: 成型模-成型模
5. CONTACTS:

| | | | | | | | | | | | | | | | | | | | | |
|---------|----|---|---|----|---|---|----|---|---|----|----|----|-------|----|----|----|----|----|----|----|
| HDMI(M) | 1 | 3 | 2 | 4 | 6 | 5 | 7 | 9 | 8 | 10 | 12 | 11 | 13 | 14 | 15 | 16 | 17 | 19 | 18 | 64 |
| HDMI(M) | 對絞 | | 地 | 對絞 | | 地 | 對絞 | | 地 | 對絞 | | 地 | 28AWG | | | | | | | 地 |

6. OPEN/SHORT TEST: 100% TEST.
INSULATION: MIN. 2M.

| | | | | | |
|---------|---------|----------|------------|----|---|
| COMPANY | CYPRESS | ITEM NO. | 3D-17A0G01 | NO | B |
|---------|---------|----------|------------|----|---|

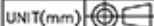
| | | | | |
|----------|------------|-------------|-------------|--|
| REVISION | DATE | DISCRIPTION | DRAWN BY | |
| REV.A/0 | 2006.10.17 | S | DESIGNED BY | |
| | | | APPROVAL BY | |

Part Number:
CHDMIMM03FGBK
 HDMI Male to HDMI Male, Gold
 Plated, 03FT (1000mm), Black, ROHS



www.cypressindustries.com

SCALE 1:1



DRAWING NO.