

ITEM	QTY	DESCRIPTION	PART #	MATERIAL	SHT
21	2	SHOULDER BOLT	Ø0.500 X 4.500	AUSTIN BOLT	-
20	1	LOCATING RING	6501	DME	-
19	4	LEADER PIN BUSHING	5754	DME	-
18	4	LEADER PIN	D-5747-GL	DME	-
17	8	SUPPORT PILLAR	Ø2.000 X 5.000	1018	17
16	4	3/4 EJECTOR PIN	EX41M10	DME	17
15	6	1/2 EJECTOR PIN	EX33M14	DME	17
14	6	3/8 EJECTOR PIN	EX25M14	DME	17
13	1	"A" INSERT #2	0.920 X 0.938 X 3.764	ALUMINUM	16
12	1	"A" INSERT #1	Ø3.625 X 5.211	ALUMINUM	16
11	2	"B" INSERT #6	0.563 X 1.250 X 0.852	ALUMINUM	15
10	1	"B" INSERT #5	0.352 X 2.000 X 4.977	ALUMINUM	14
9	1	"B" INSERT #4	0.625 X 1.070 X 3.000	ALUMINUM	15
8	1	"B" INSERT #3	1.250 X 1.280 X 2.625	ALUMINUM	15
7	1	"B" INSERT #2	Ø3.750 X 1.216	ALUMINUM	14
6	1	"B" INSERT #1	Ø9.876 X 4.952	ALUMINUM	12-13
5	1	"A" PLATE	7.000 X 17.000 X 17.000	ALUMINUM	11
4	2	RAILS	2.000 X 5.000 X 17.000	ALUMINUM	10
3	1	EJECTOR PLATE	1.000 X 12.875 X 17.000	ALUMINUM	9
2	1	RETAINER PLATE	0.500 X 12.875 X 17.000	ALUMINUM	8
1	1	"B" PLATE	3.000 X 17.000 X 17.000	ALUMINUM	6-7

UNLESS OTHERWISE SPECIFIED
DIMENSIONS ARE IN INCHES

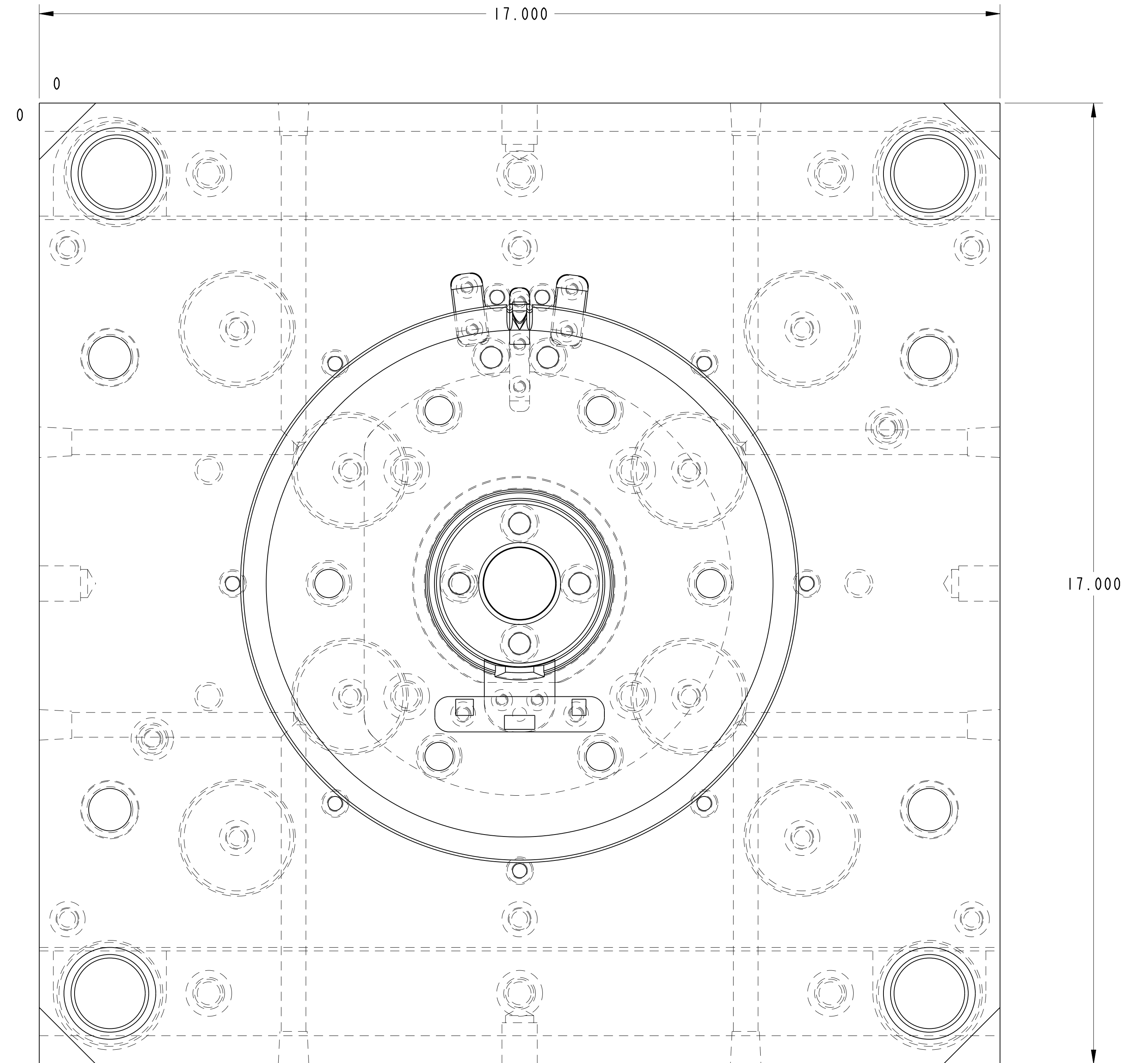
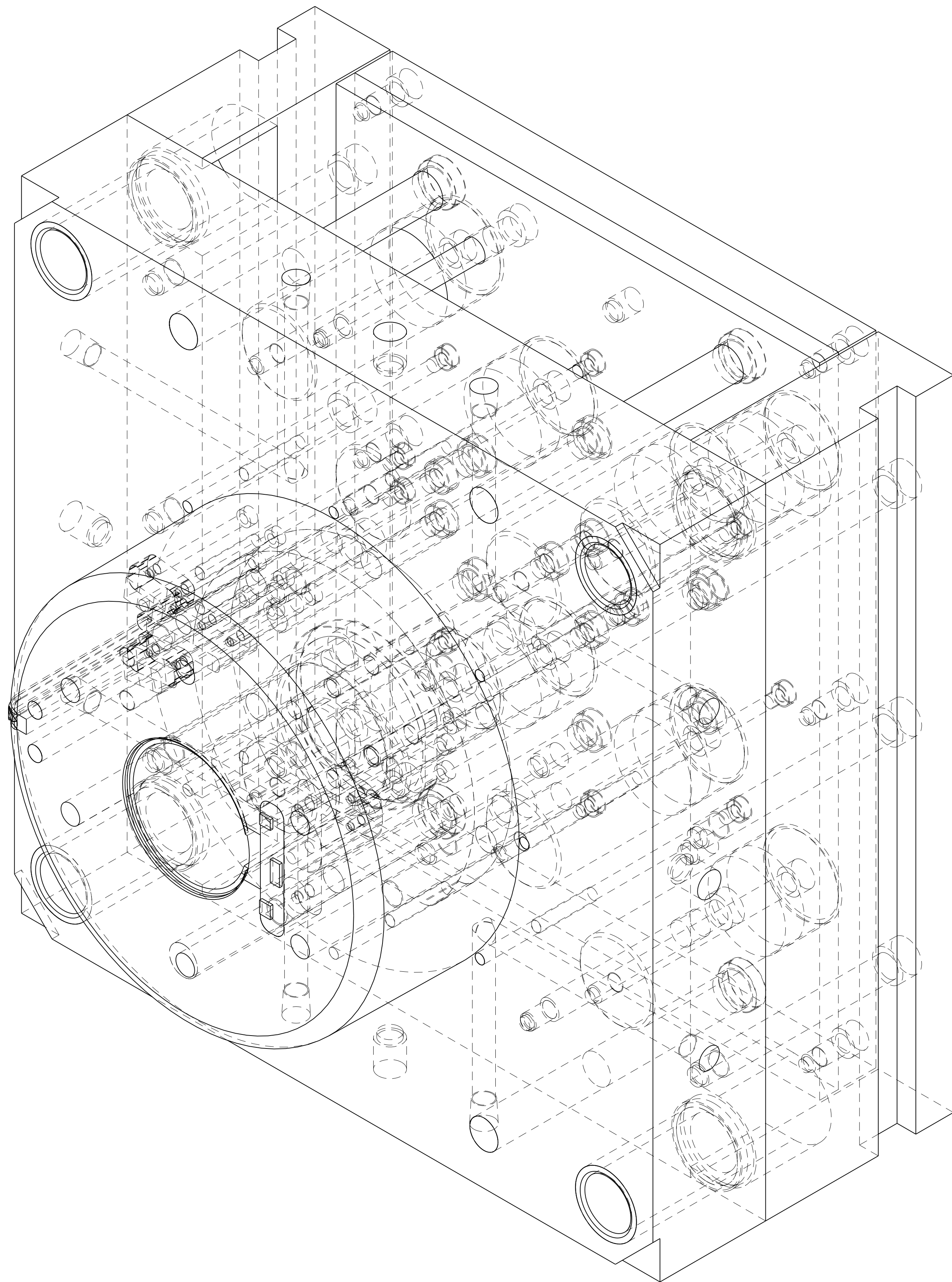
TOLERANCES ARE:
FRACTIONS DECIMALS ANGLES
± .001 ± 0.01 ± 25°
± .0005 ± 0.001 ± 25°
± .0005 ± 0.0005 ± 25°

SIGNATURES DATE
DRAWN CEP 11/30/05
CHECKED

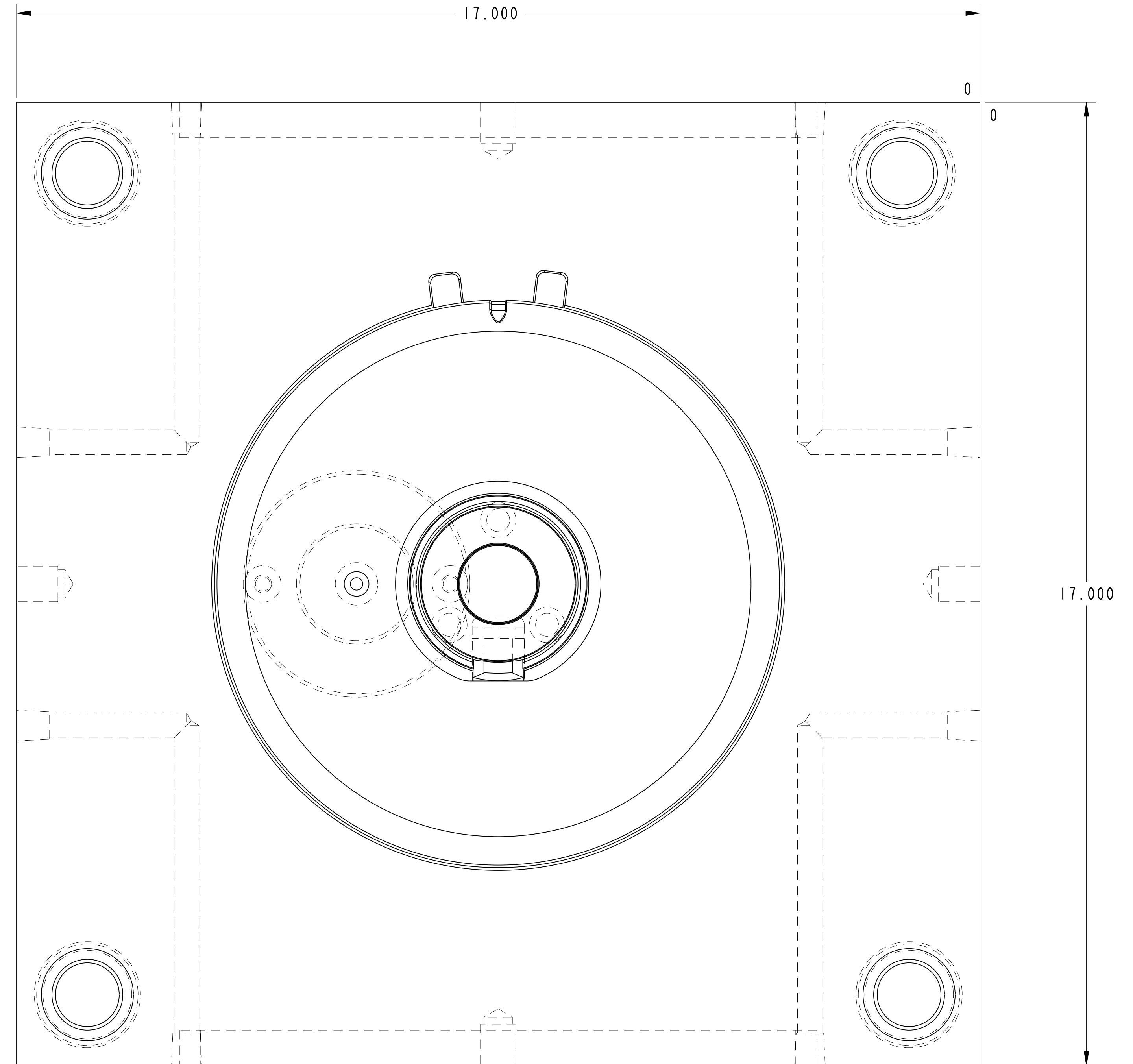
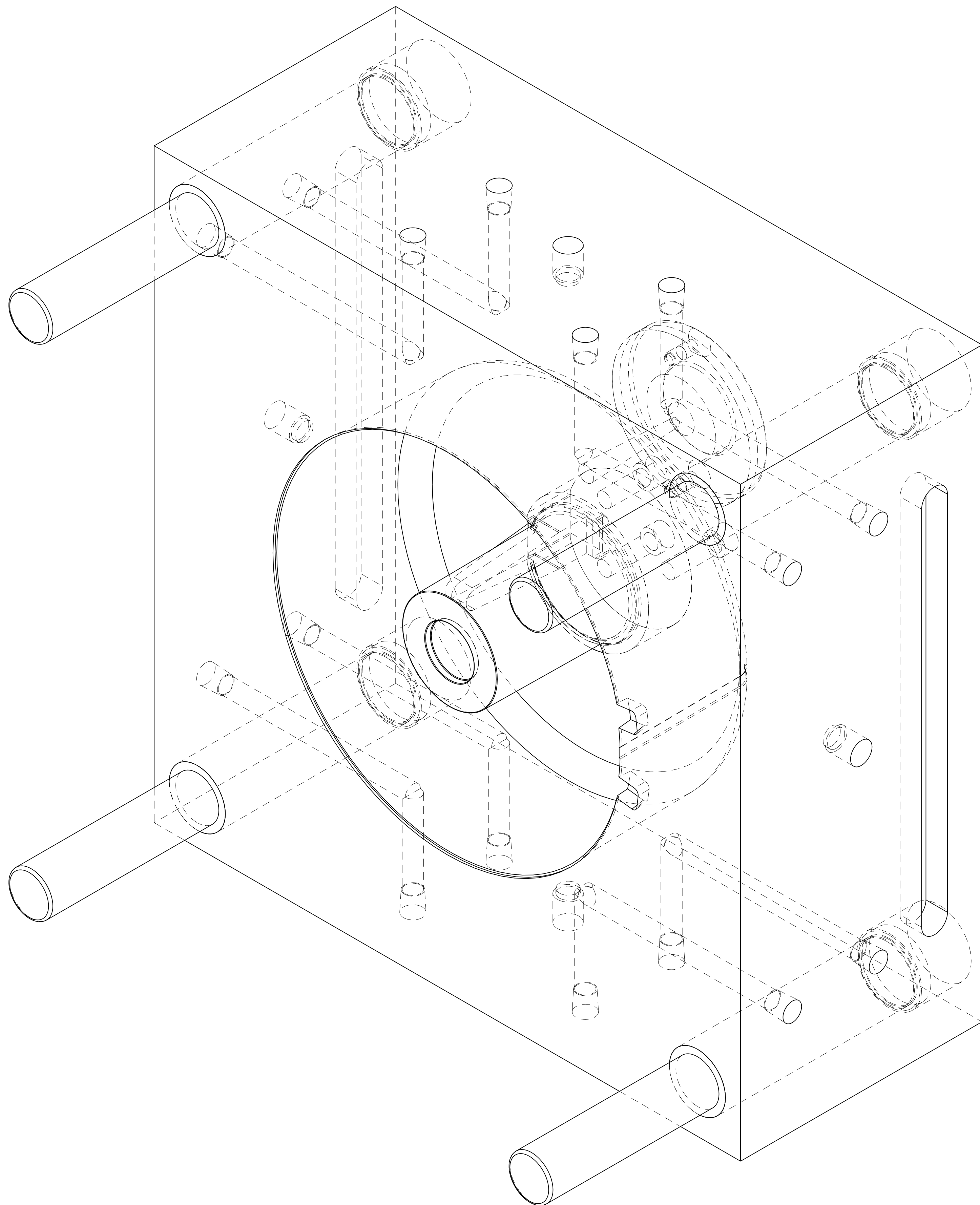


DESCRIPTION: CN1291
SCALE: SIZE D DRAWING #: CY1060-2-001
REV 00 SHEET 1 OF 17

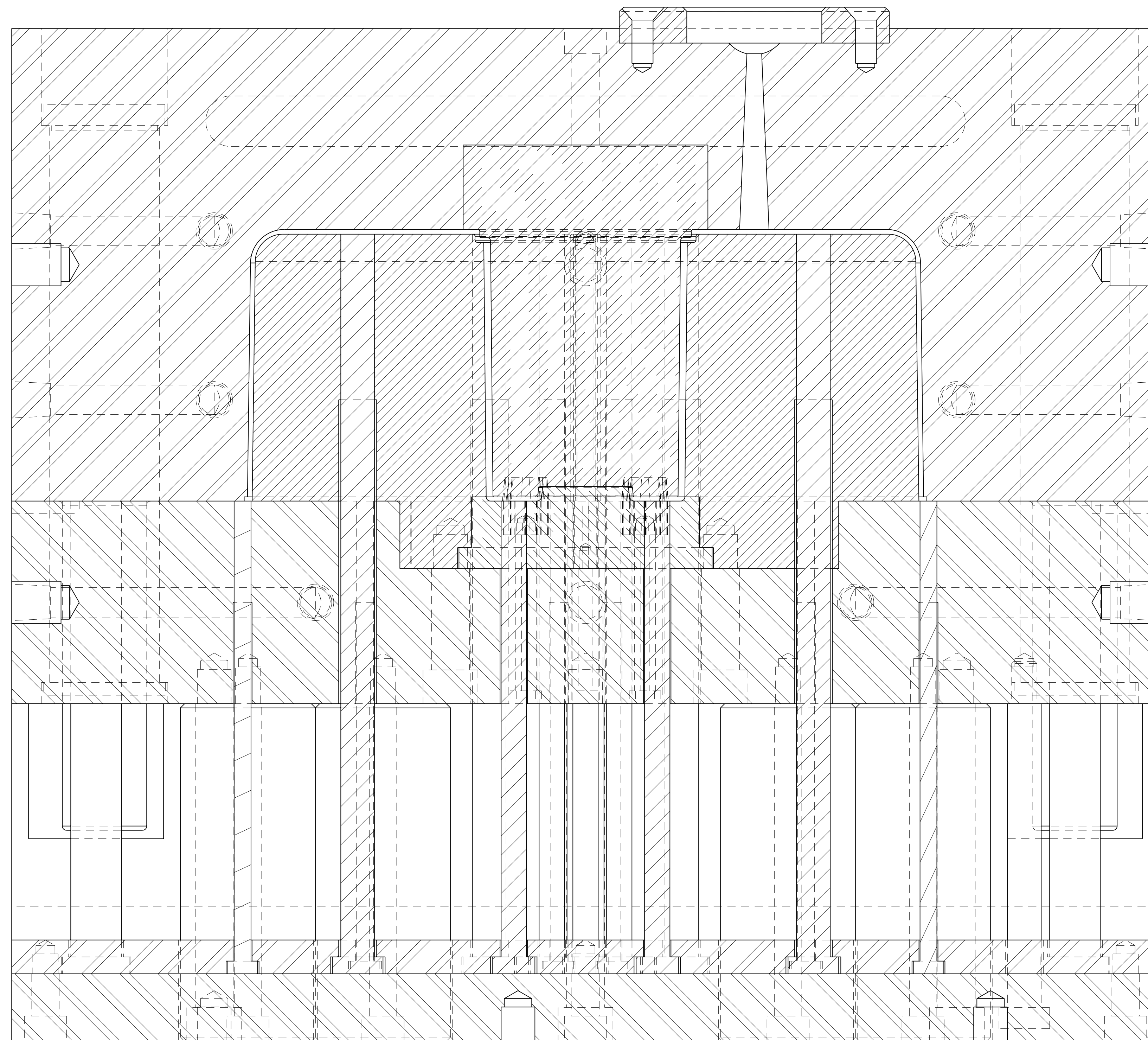
CUSTOMER DIAMOND DIAGNOSTICS



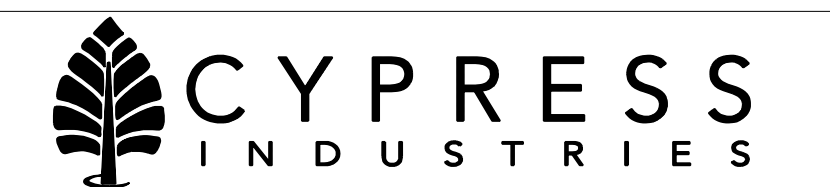
DESCRIPTION	CN1291; "B" PLAN	REV	00
DRAWING #	CY11060-12-001	SIZE	D
CUSTOMER	MICRO-TRAK	SCALE	
			SHEET 2 OF 17



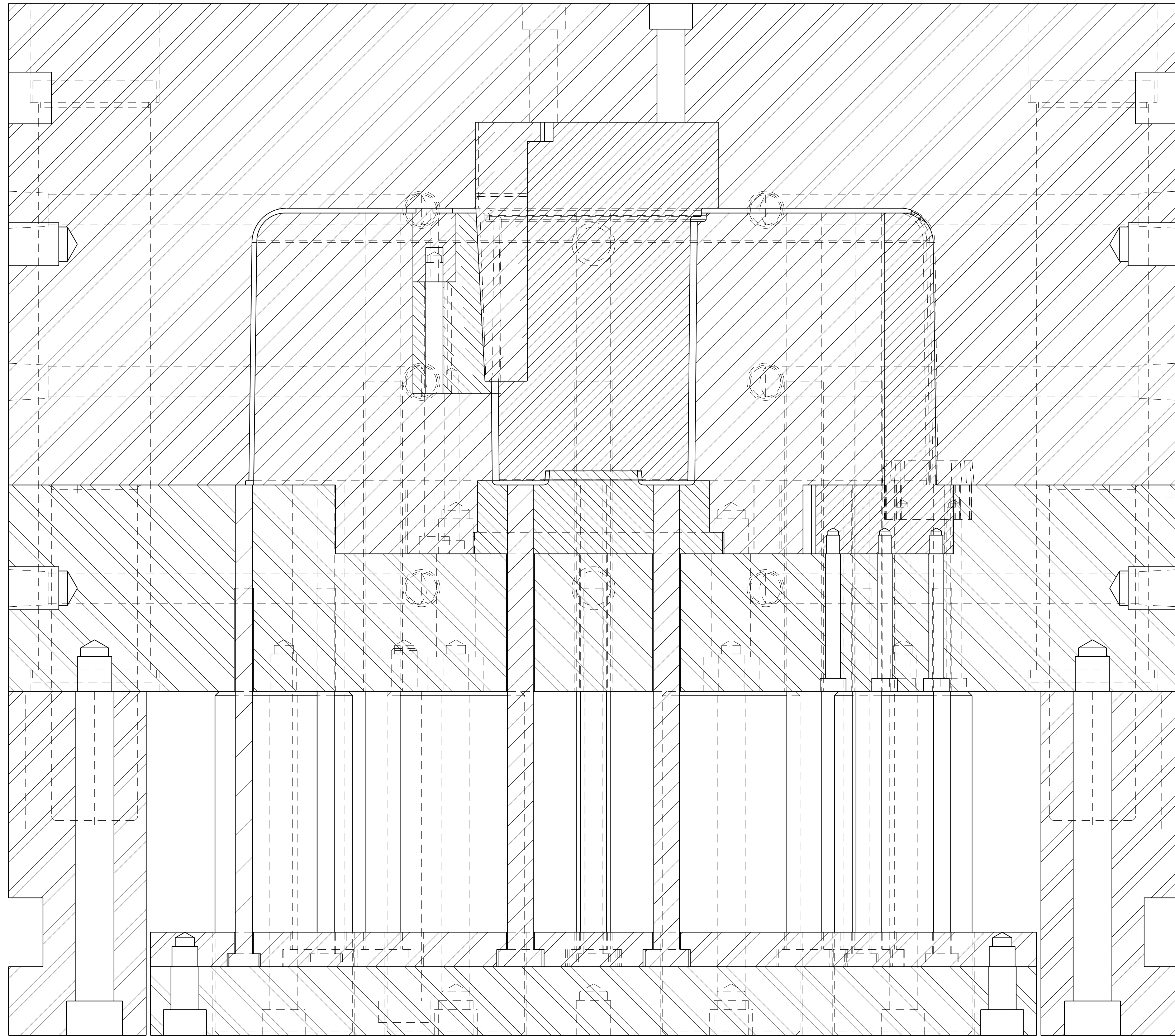
DESCRIPTION	CN1291; "A" PLAN	REV	00
DRAWING #	CY11060-12-001	SIZE	D
CUSTOMER	MICRO-TRAK	SCALE	
			SHEET 3 OF 17



SECTION A-A



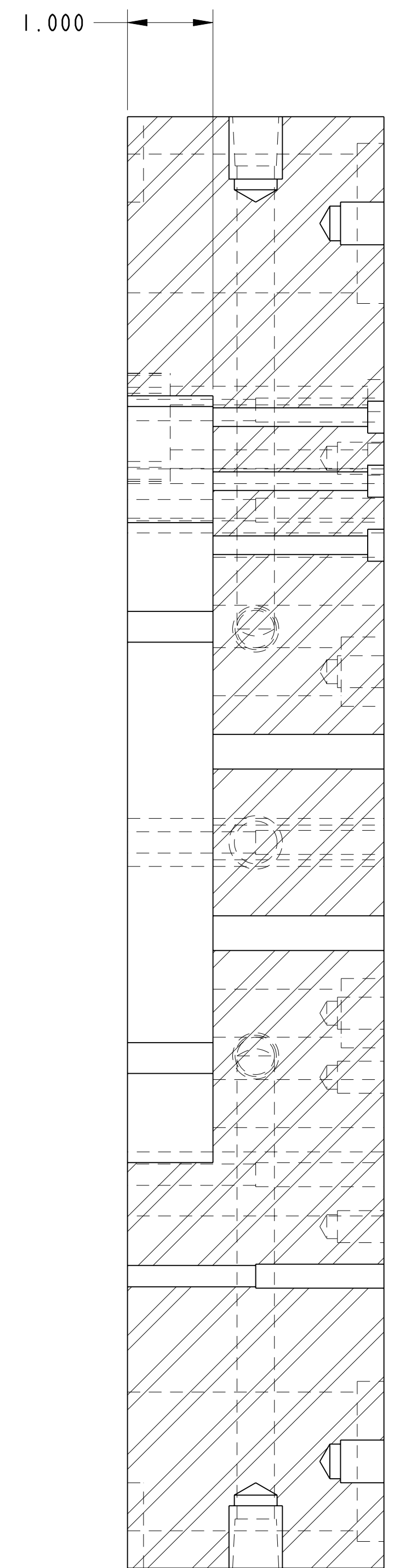
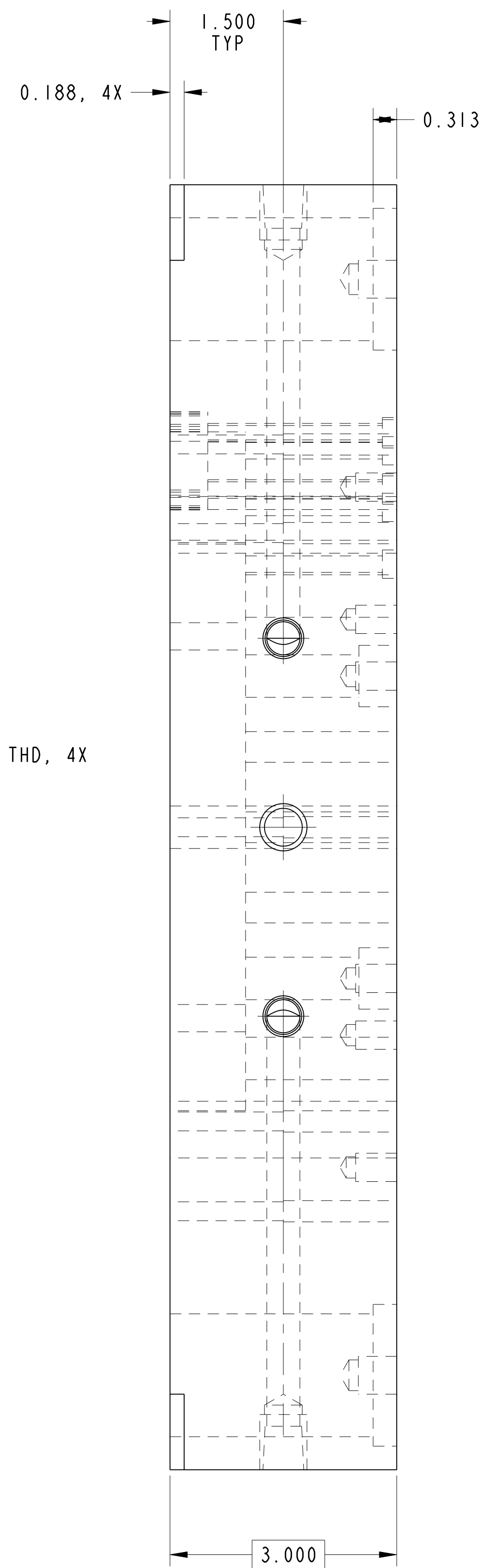
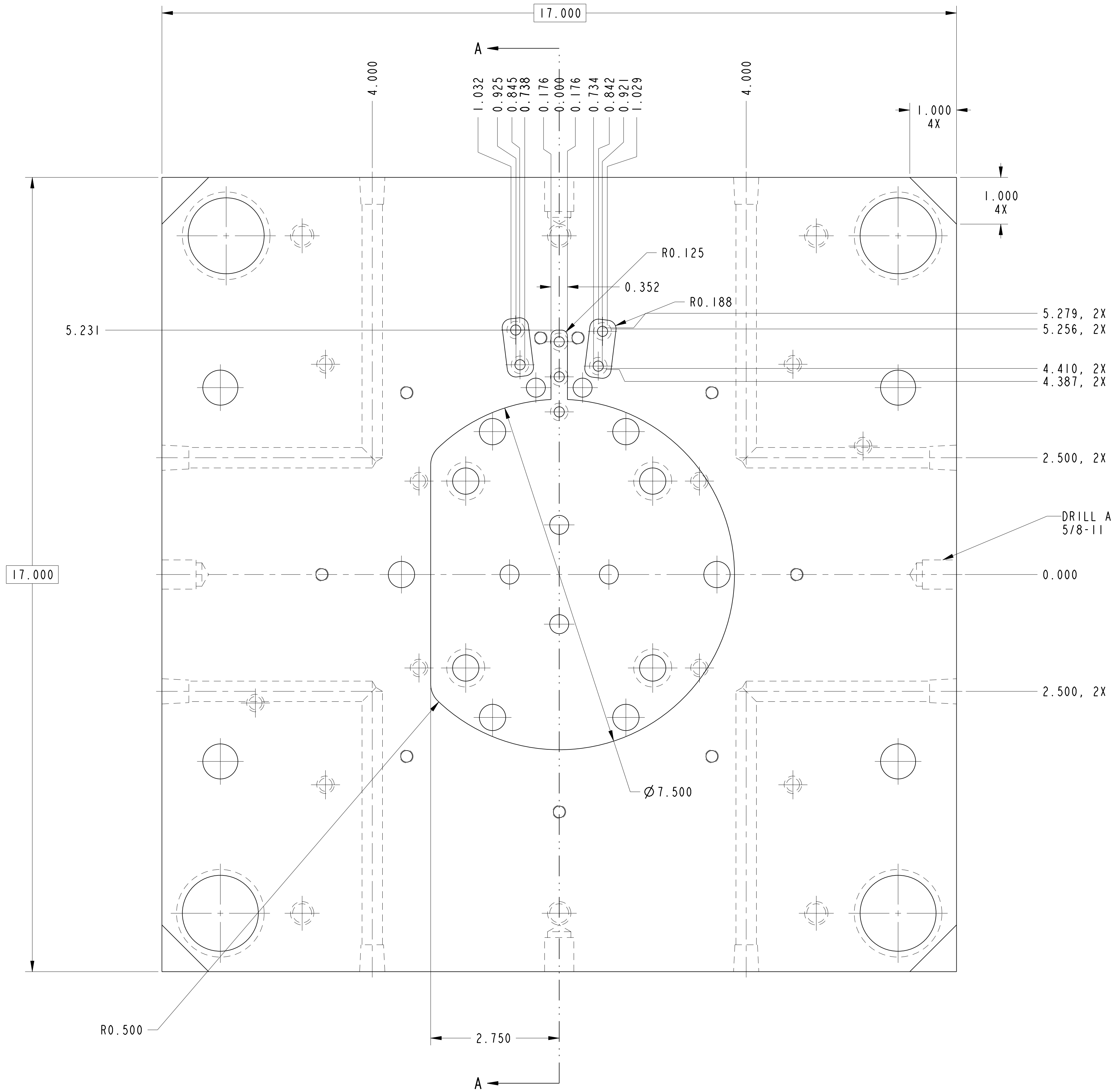
DESCRIPTION	CN1291; FRONT SECTION	REV	00
DRAWING #	CY11060-2-001	SIZE	D
CUSTOMER	MICRO-TRAK	SCALE	
			SHEET 4 OF 17



SECTION B-B

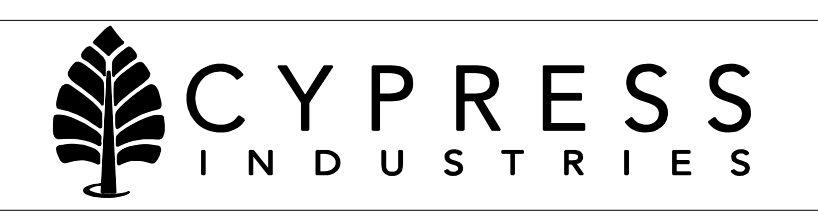
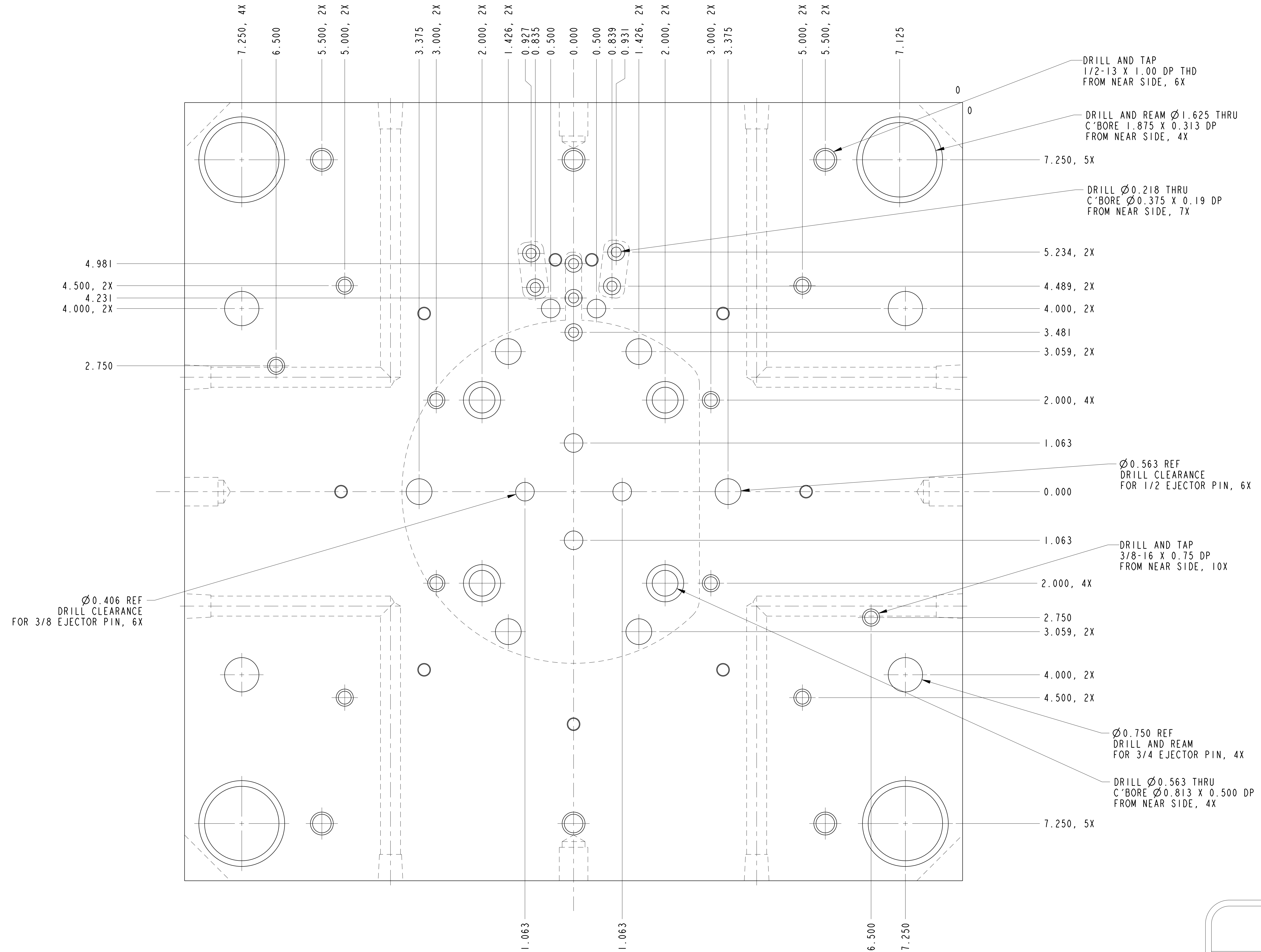


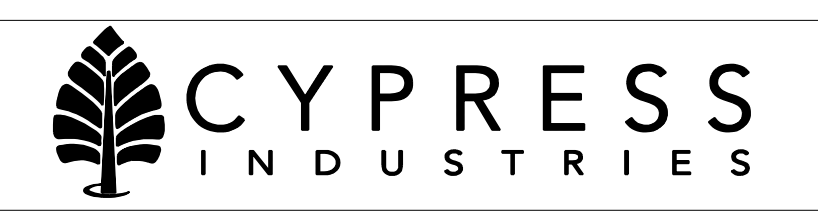
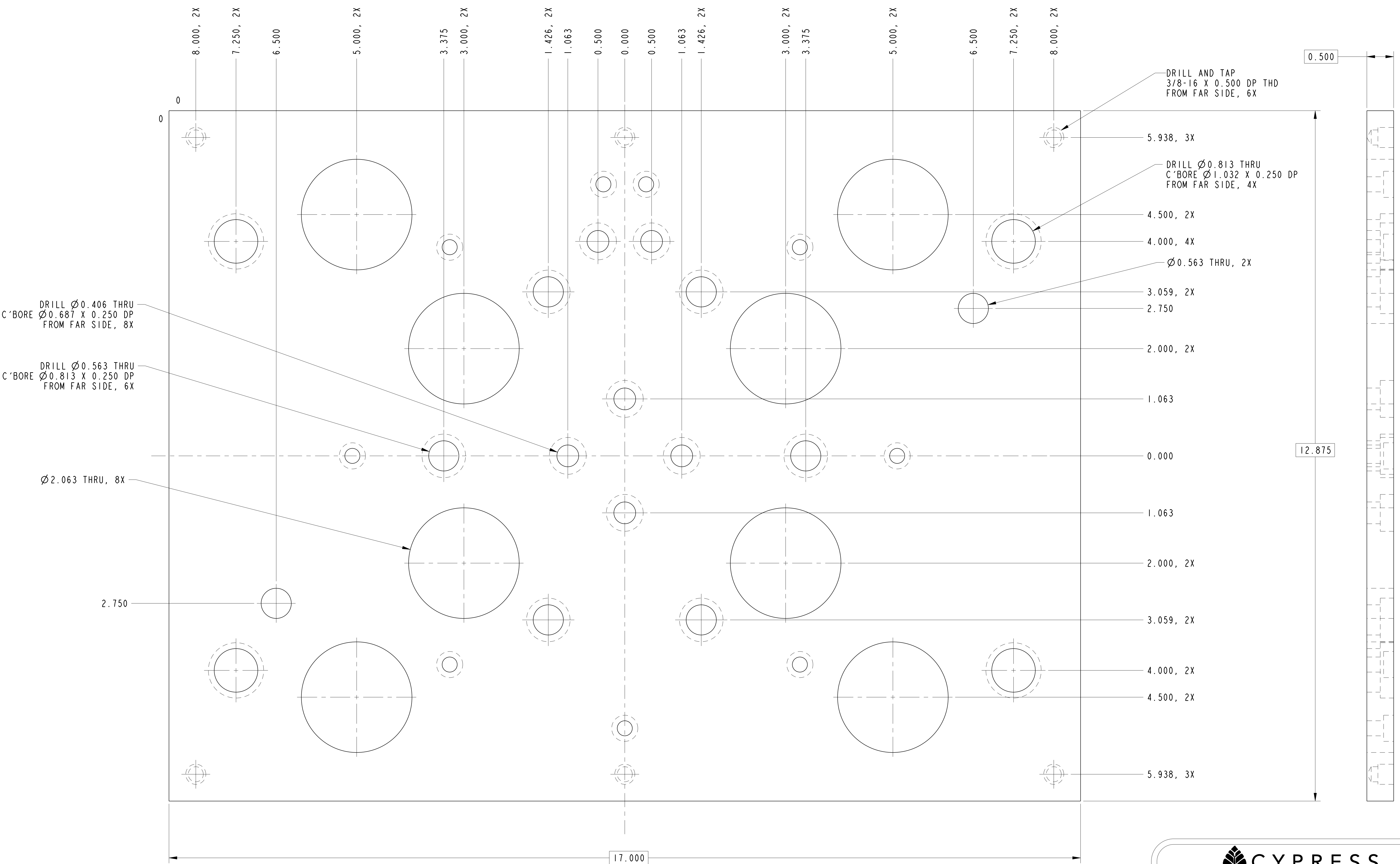
DESCRIPTION	CN1291; END SECTION	REV	00
DRAWING #	CY11060-12-001	SIZE	D
CUSTOMER	MICRO-TRAK	SCALE	
			SHEET 5 OF 17



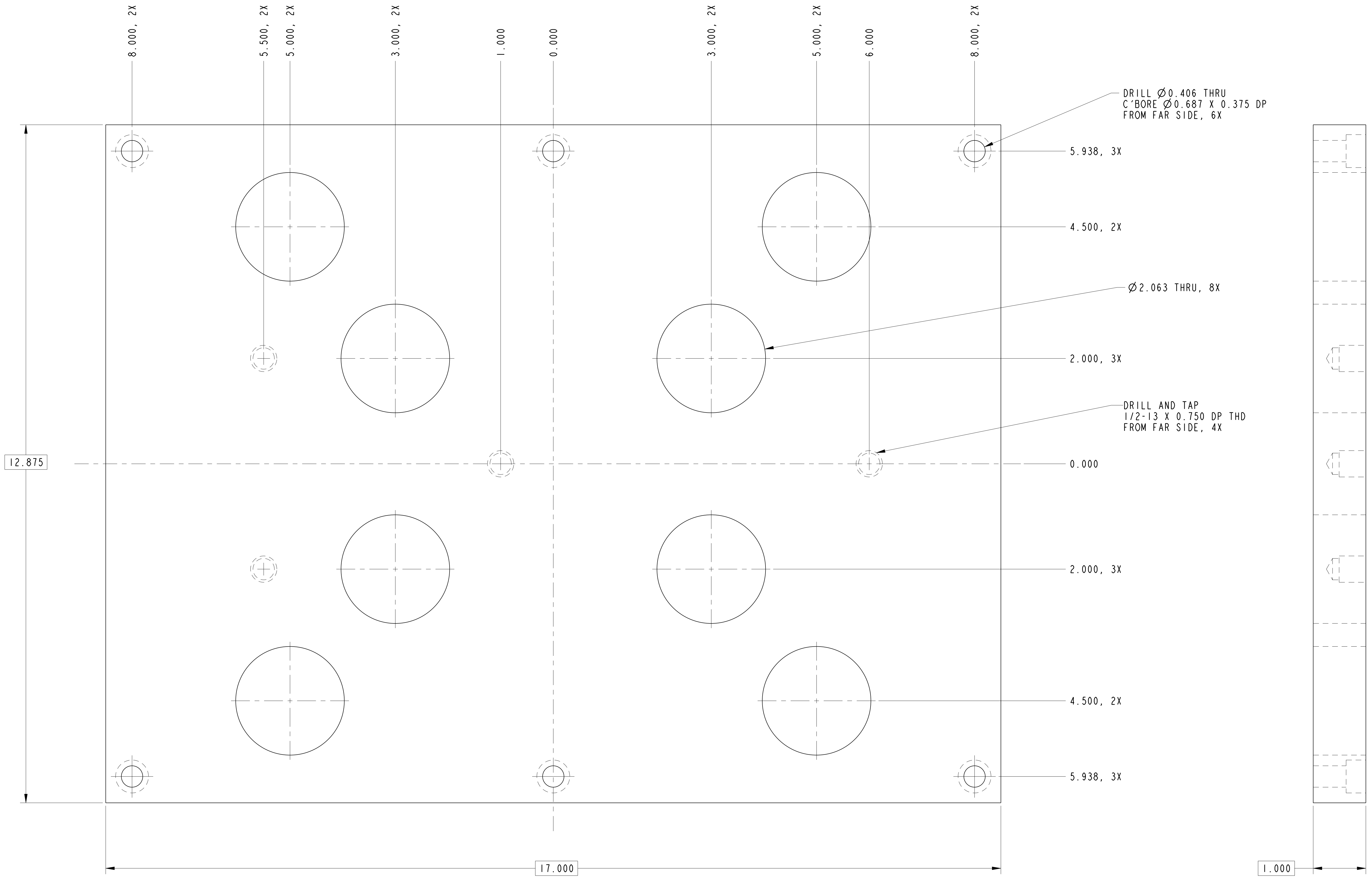
SECTION A-A







DESCRIPTION	CN1291; RETAINER PLATE	REV	00
DRAWING #	CY11060-2-001	SIZE	D
CUSTOMER	MICRO-TRAK	SCALE	



12.875

17.000

1.000

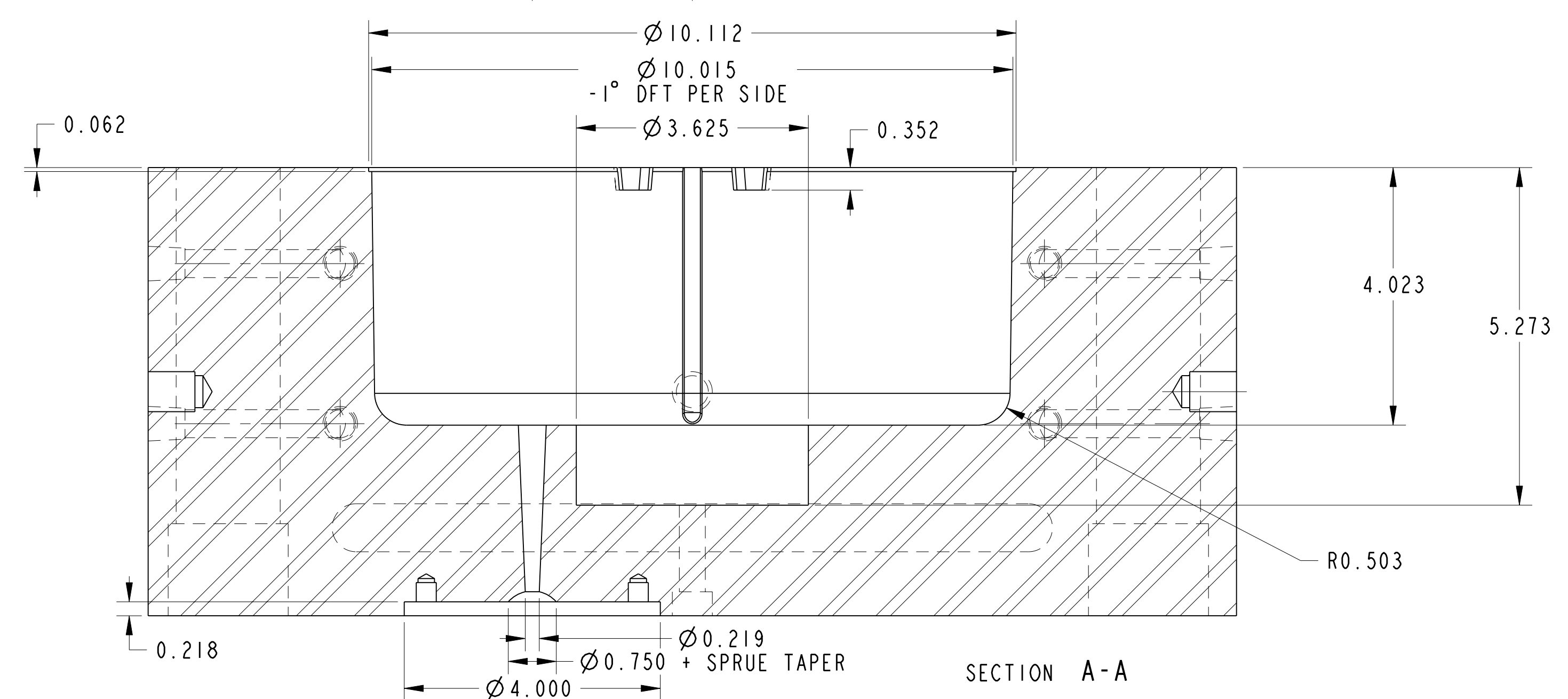
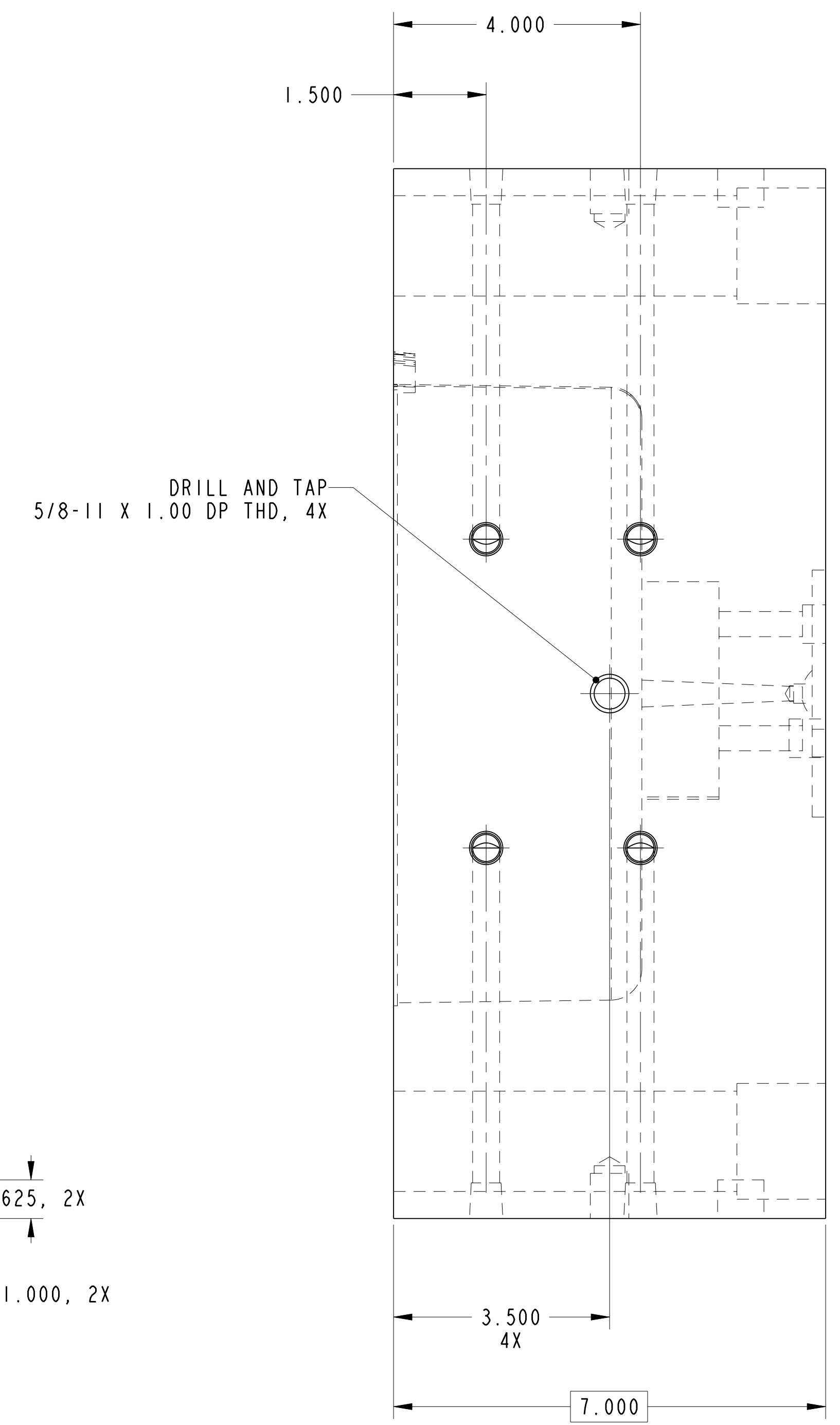
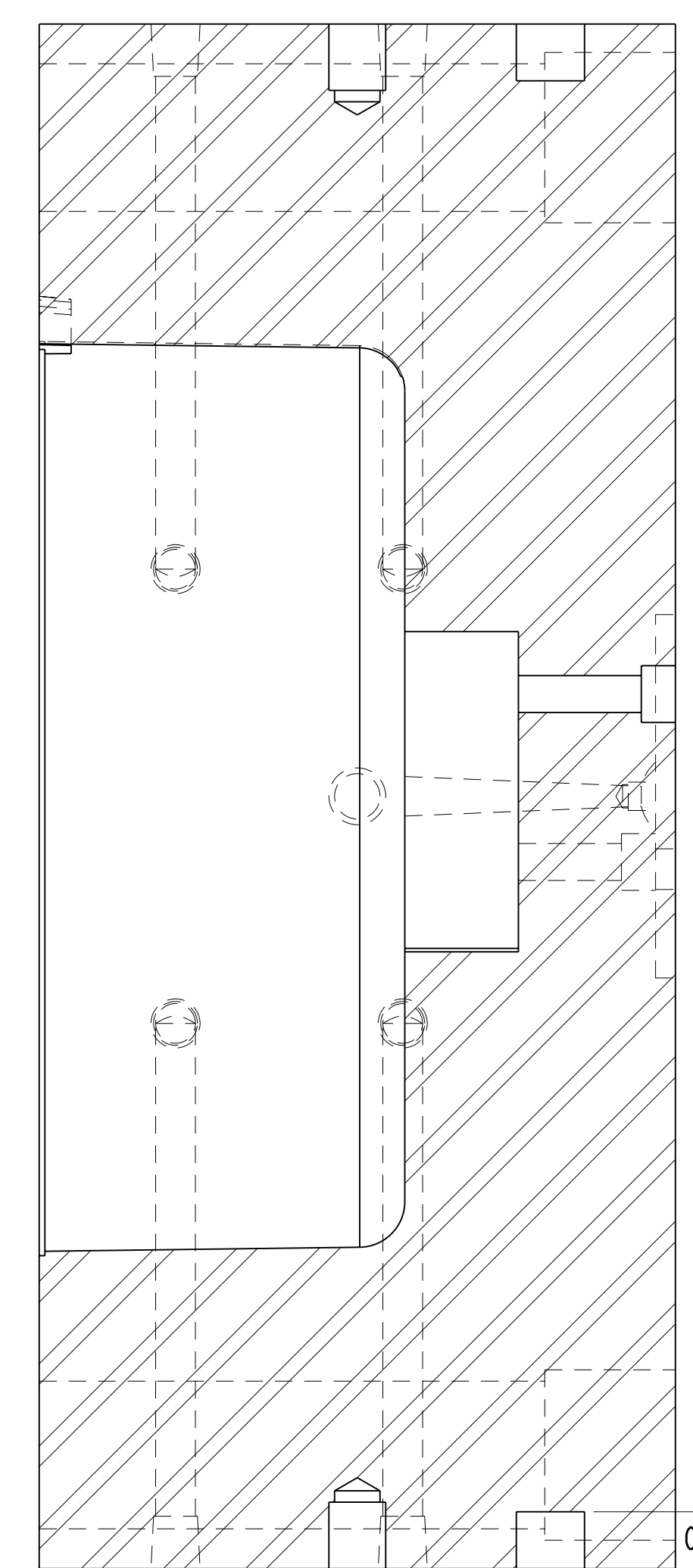
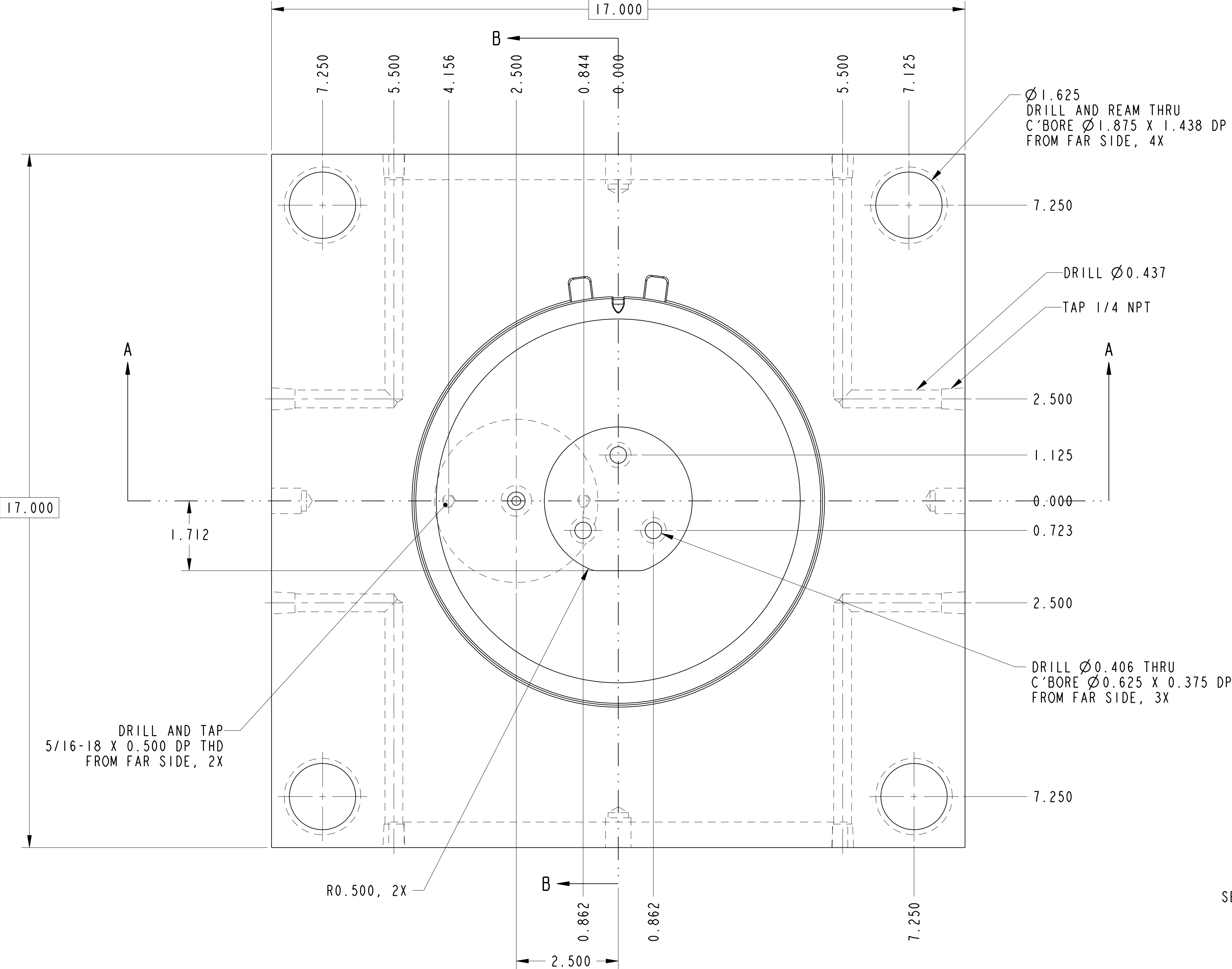
DRILL Ø0.406 THRU
C'BORE Ø0.687 X 0.375 DP
FROM FAR SIDE, 6X

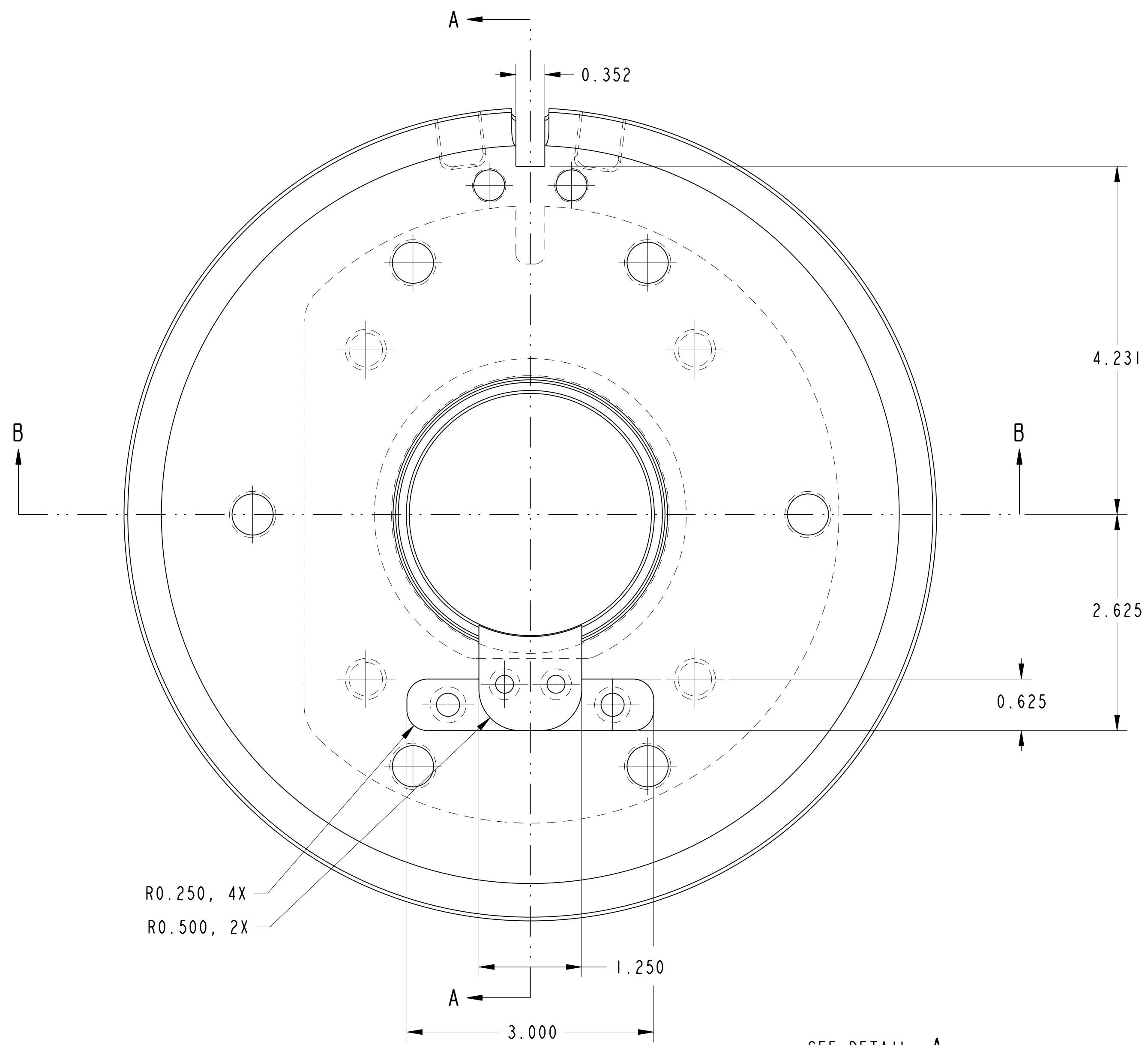
Ø2.063 THRU, 8X

DRILL AND TAP
1/2-13 X 0.750 DP THD
FROM FAR SIDE, 4X



DESCRIPTION	CNI291; EJECTOR PLATE	REV	00
DRAWING #	CYI060-2-001	SIZE	D
CUSTOMER	MICRO-TRAK	SCALE	
			SHEET 9 OF 17





R0.250, 4X
R0.500, 2X

3.000
1.250

4.231

2.625

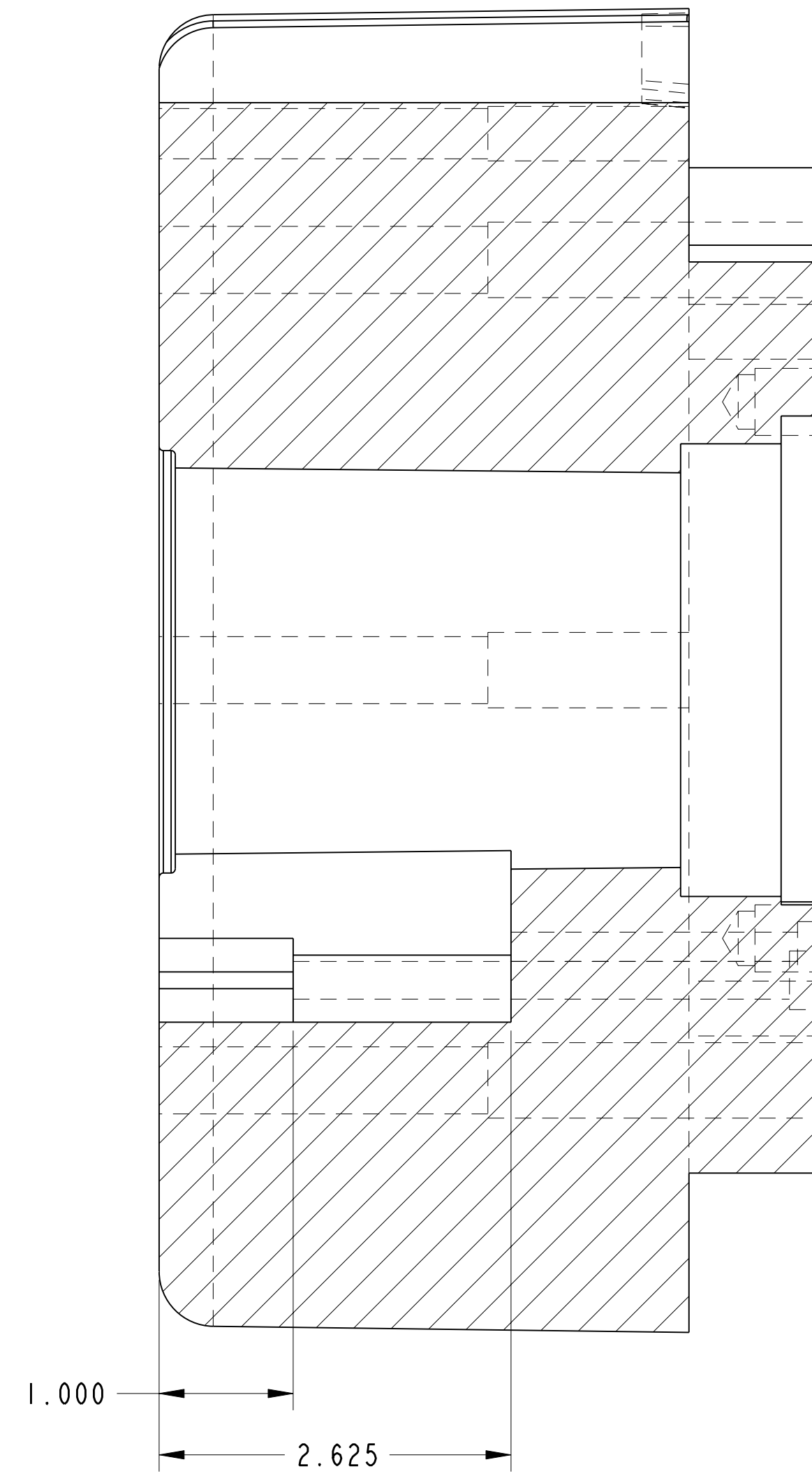
0.625

A

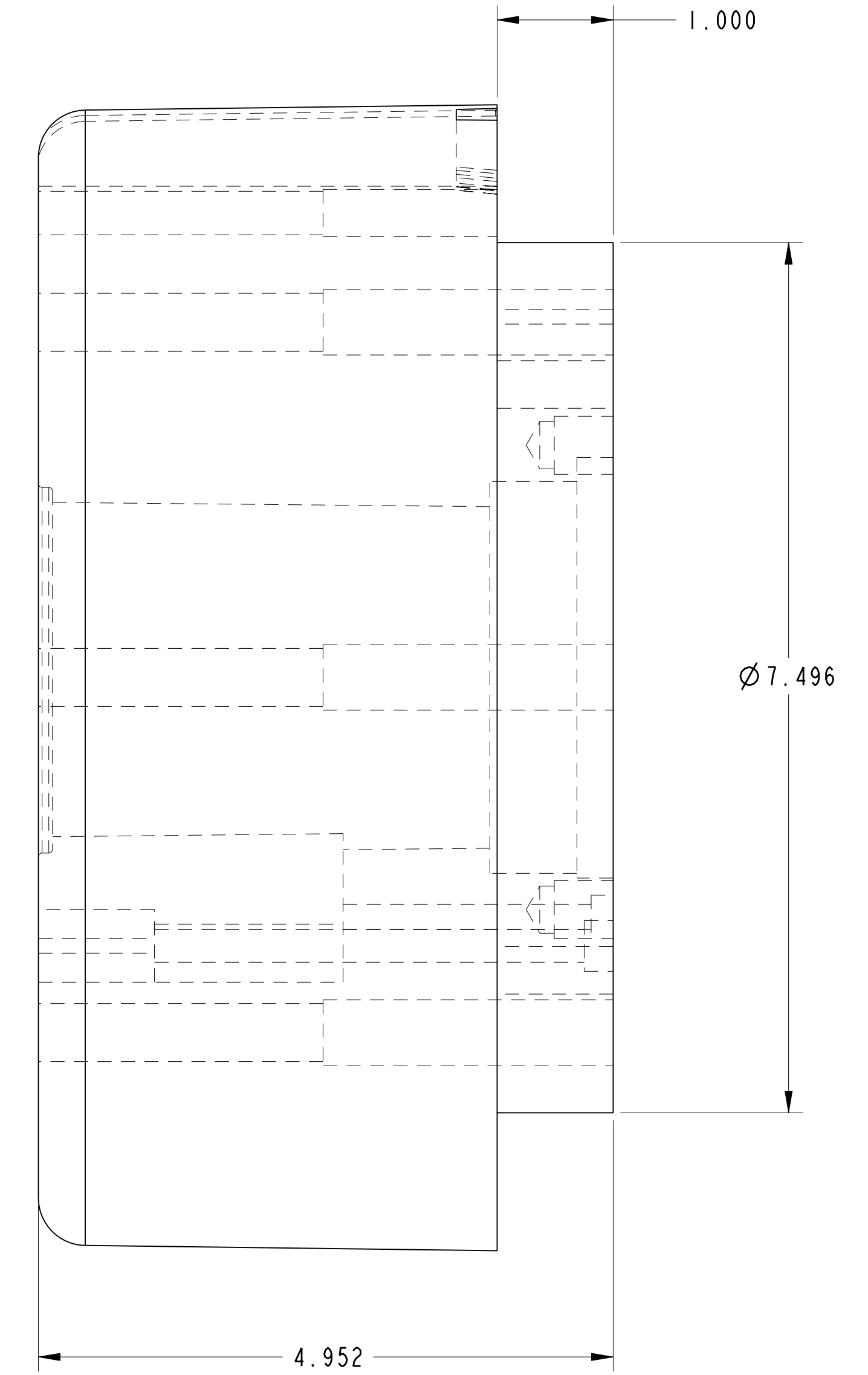
B

A

0.352



SECTION A-A



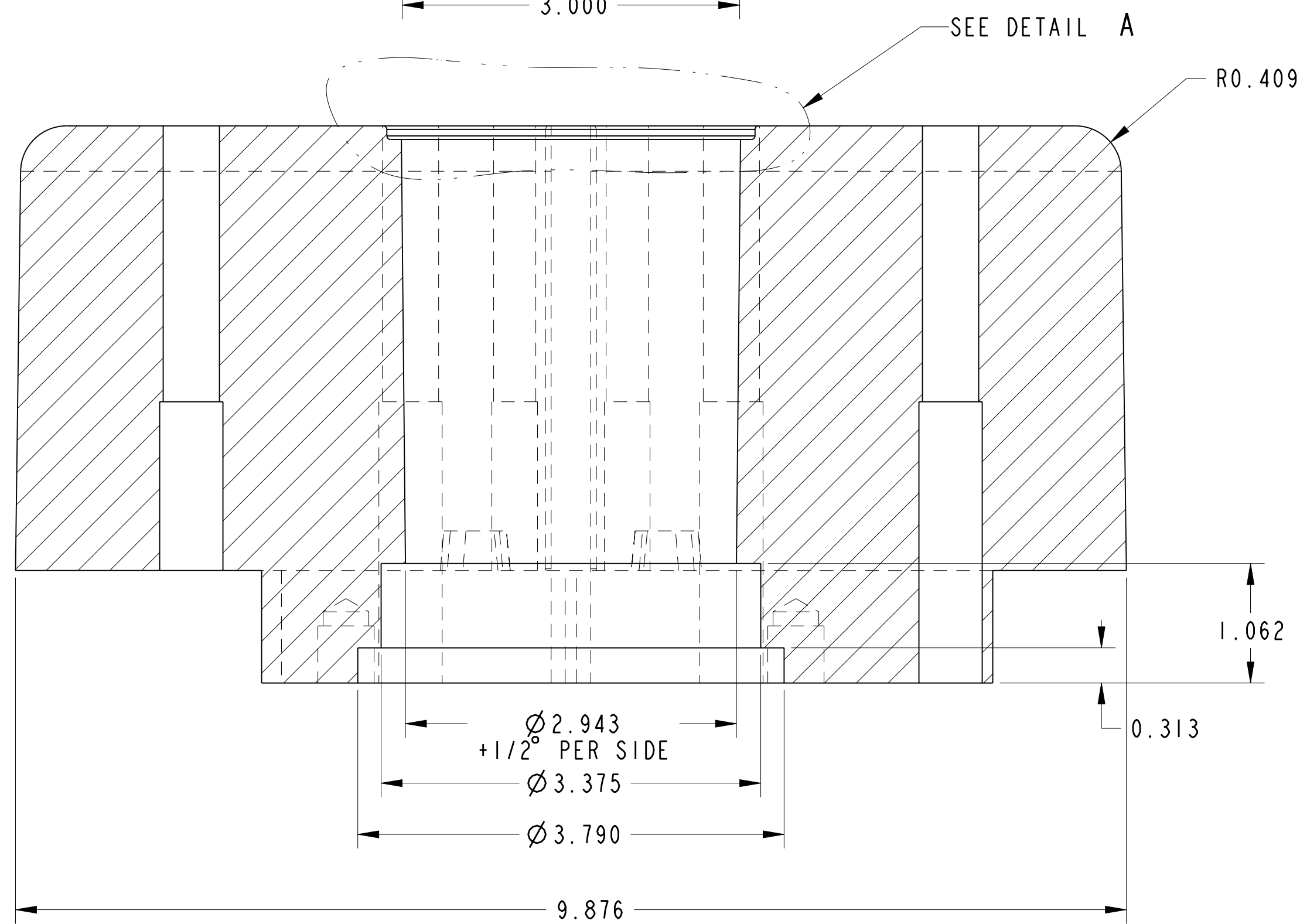
Ø7.496

1.000

4.952

2.625

1.000



SECTION B-B

SEE DETAIL A

R0.409

0.313

1.062

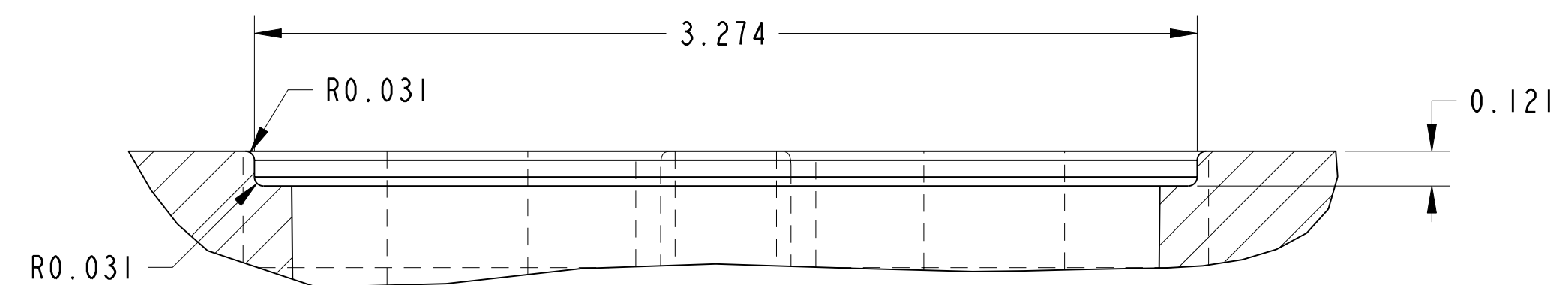
Ø2.943

+1/2" PER SIDE

Ø3.375

Ø3.790

9.876



DETAIL A
SCALE 2.000

3.274

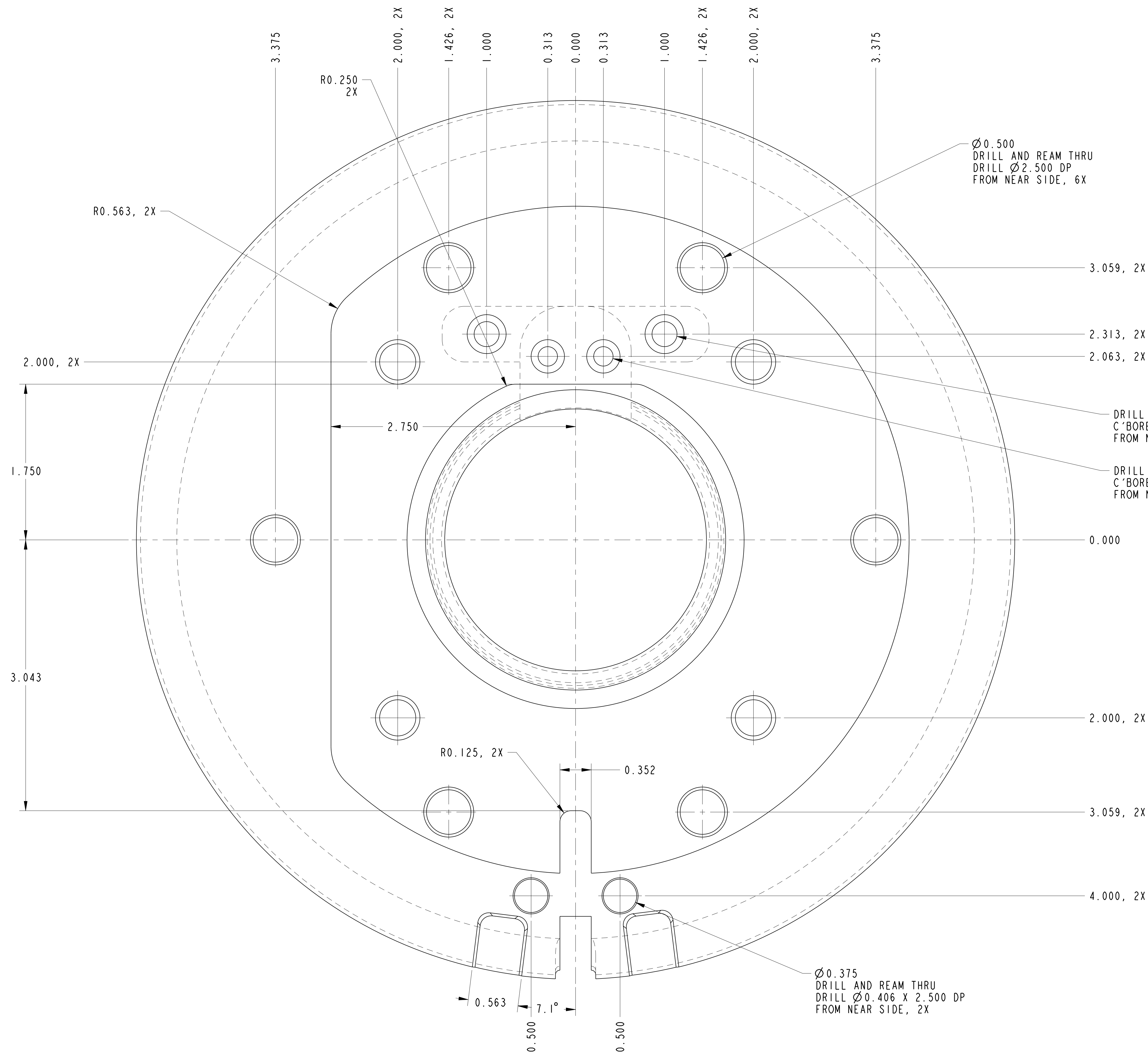
R0.031

R0.031

0.121



DESCRIPTION	CN1291; "B" INSERT	REV	00
DRAWING #	CY1060-2-001	SIZE	D
CUSTOMER	MICRO-TRAK	SCALE	
			SHEET 12 OF 17



Ø0.500
DRILL AND REAM THRU
DRILL Ø2.500 DP
FROM NEAR SIDE, 6X

3.059, 2X

2.313, 2X

2.063, 2X

DRILL Ø0.281 THRU
C'BORE Ø0.437 X 0.250 DP
FROM NEAR SIDE, 2X

DRILL Ø0.218 THRU
C'BORE Ø0.375 X 0.19 DP
FROM NEAR SIDE, 2X

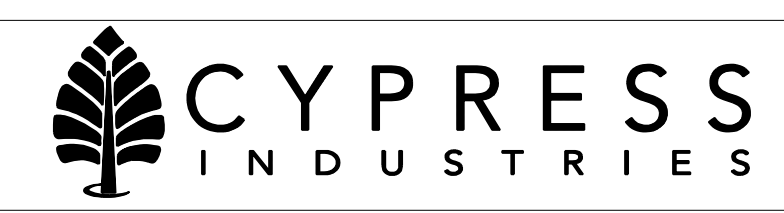
0.000

2.000, 2X

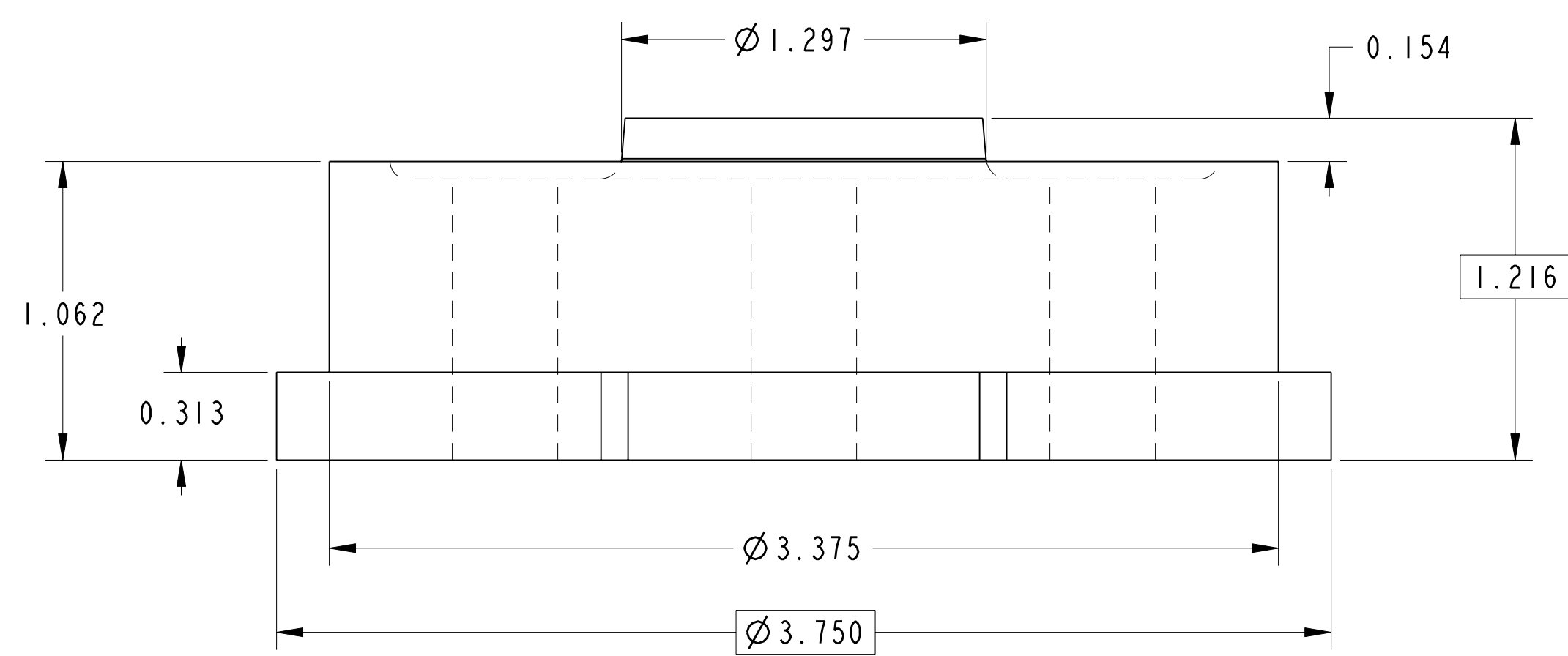
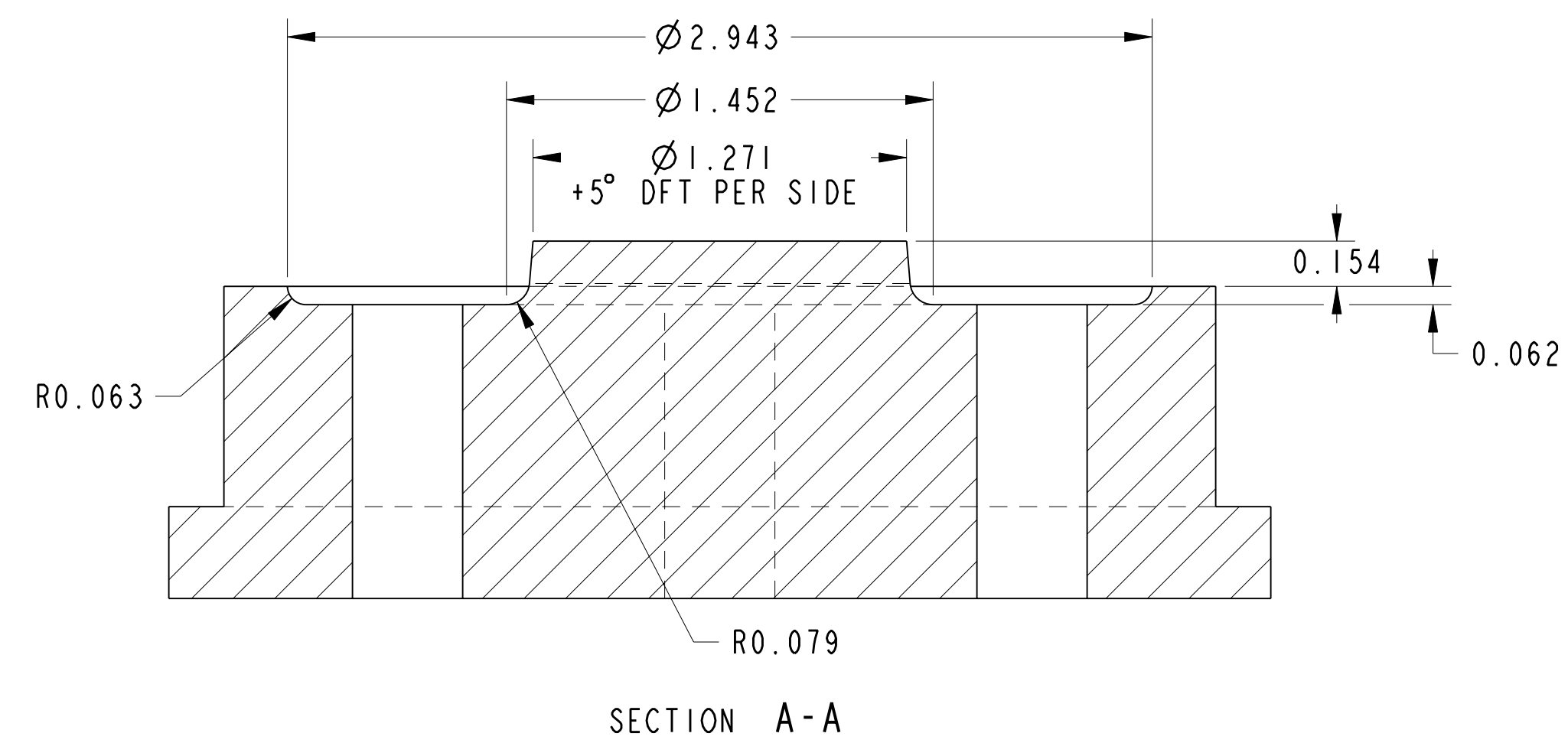
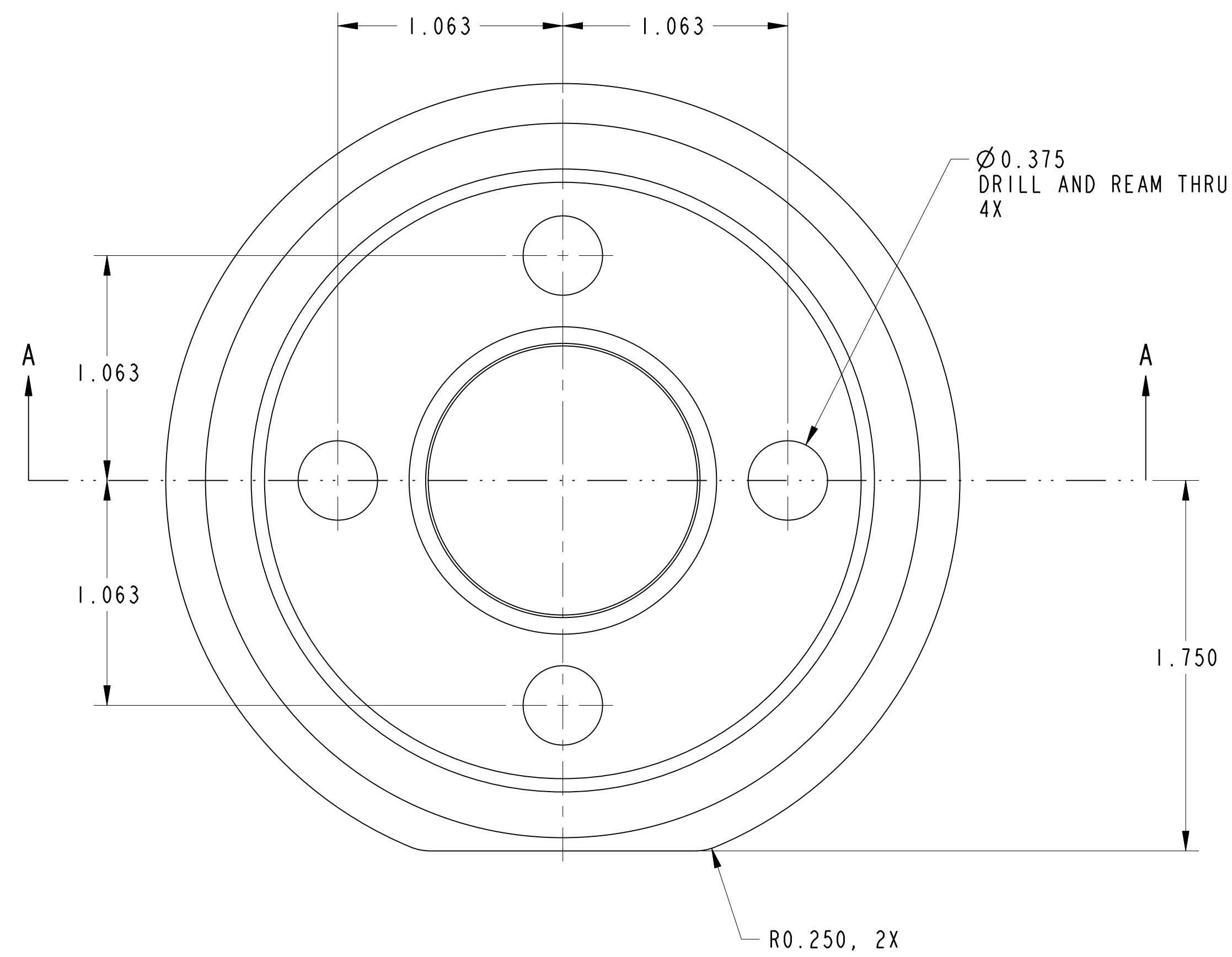
3.059, 2X

4.000, 2X

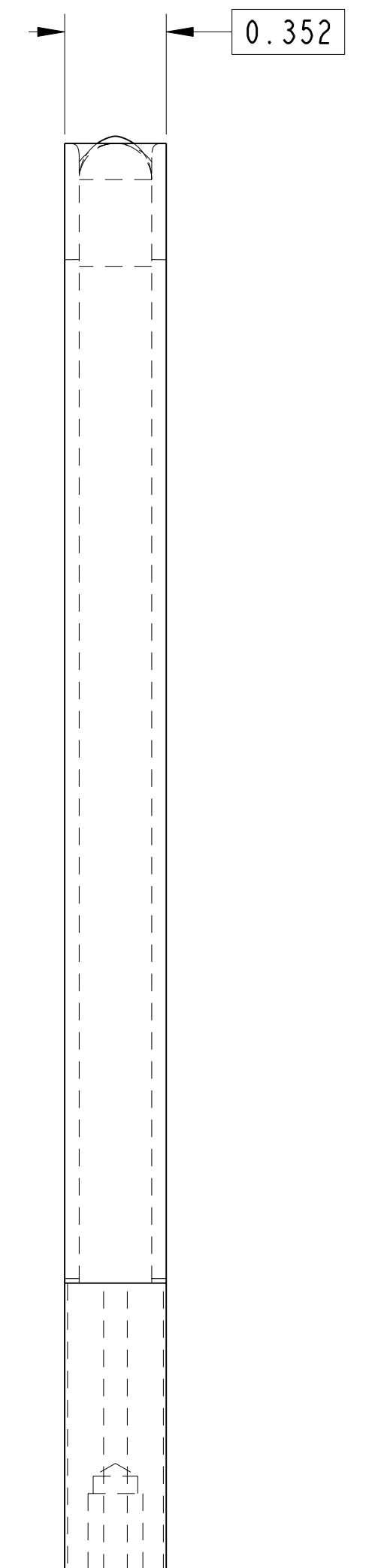
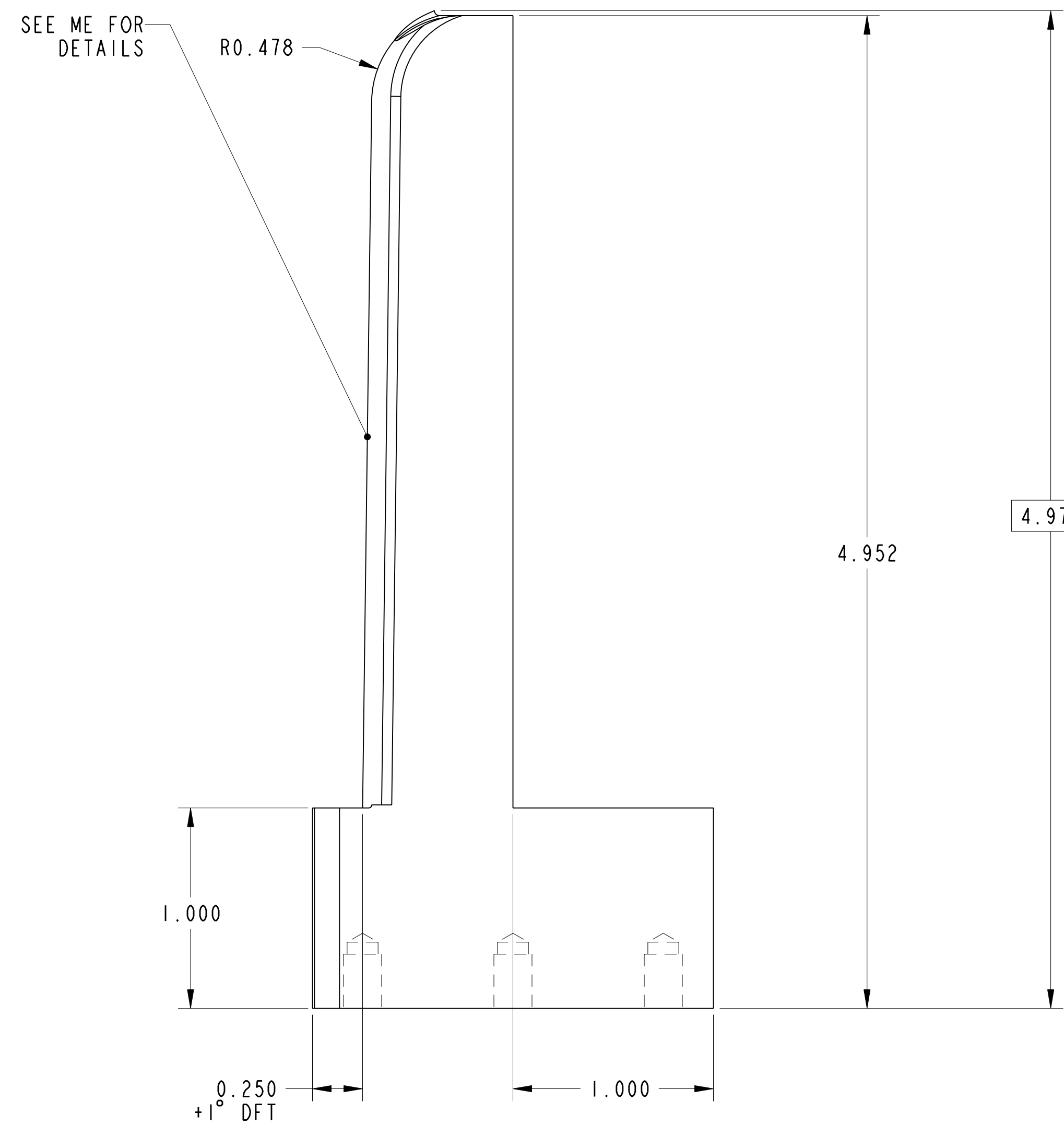
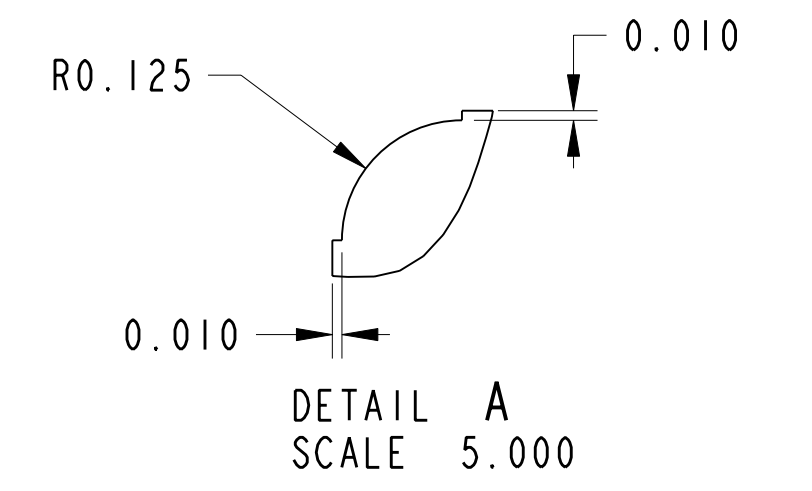
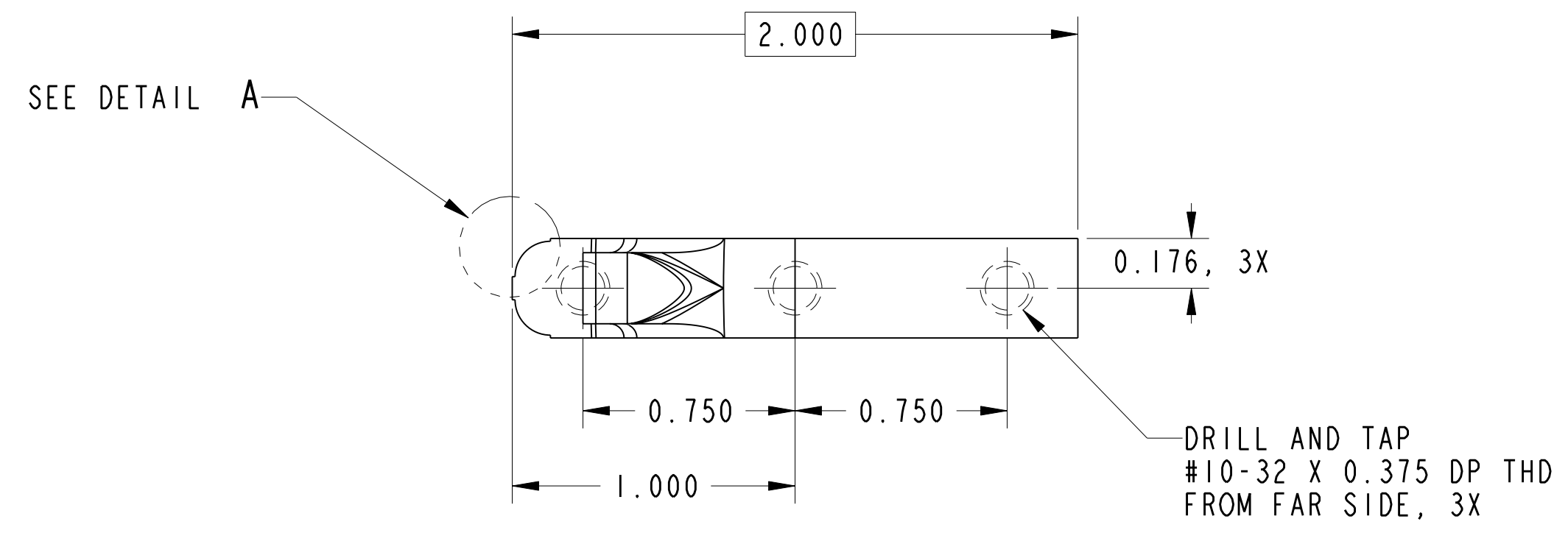
Ø0.375
DRILL AND REAM THRU
DRILL Ø0.406 X 2.500 DP
FROM NEAR SIDE, 2X



DESCRIPTION	REV
DRAWING #	00
CUSTOMER	SCALE
MICRO-TRAK	
DRAWING #	SHEET 13 OF 17
CY1063-1-001	
SIZE	
D	

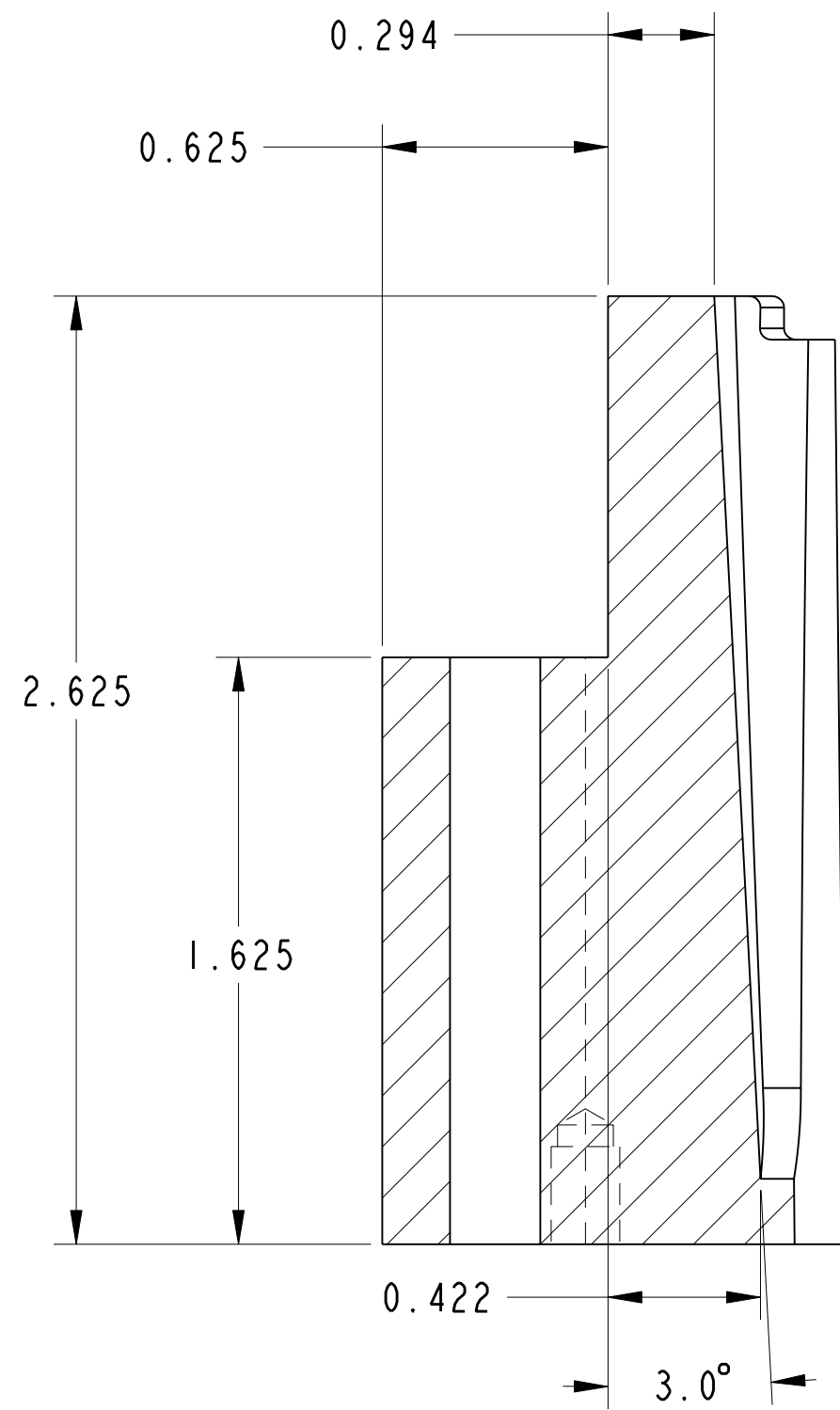
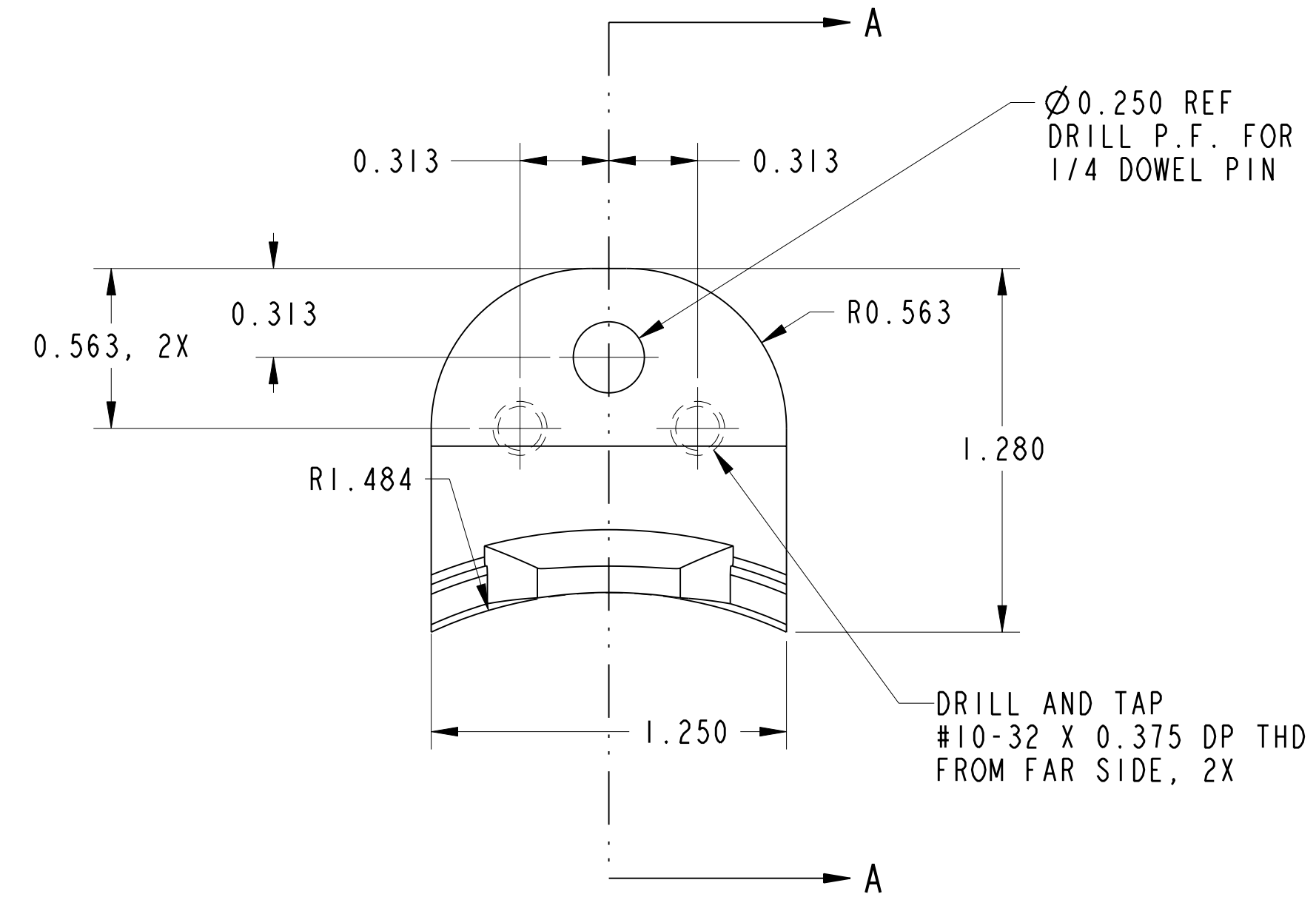
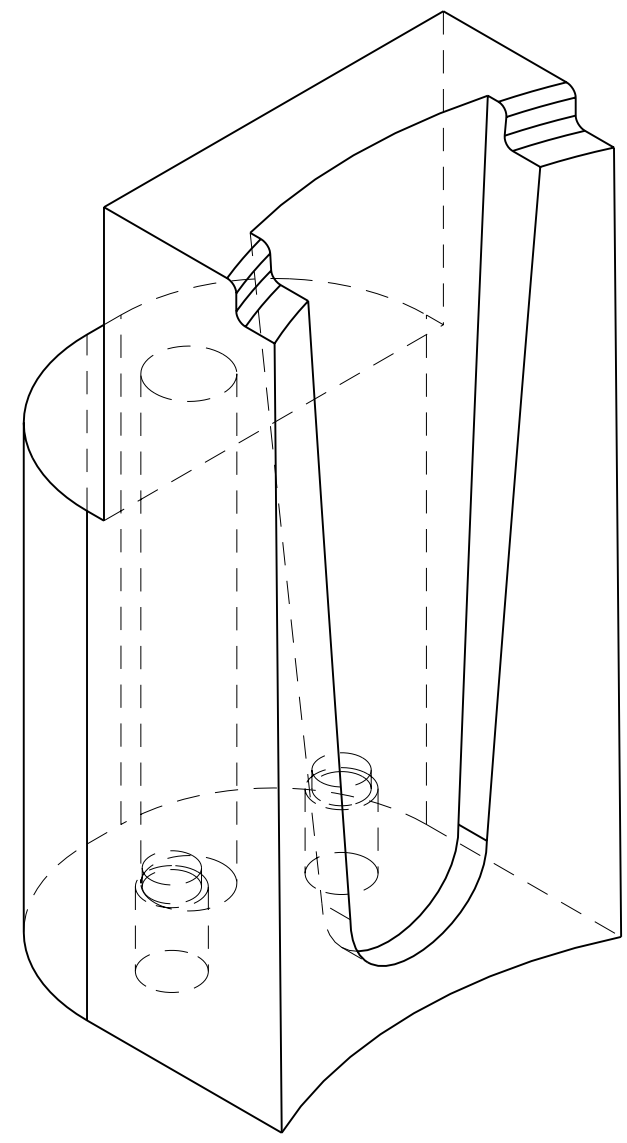


"B" INSERT #2
MAT'L: ALUMINUM
QTY: 1X



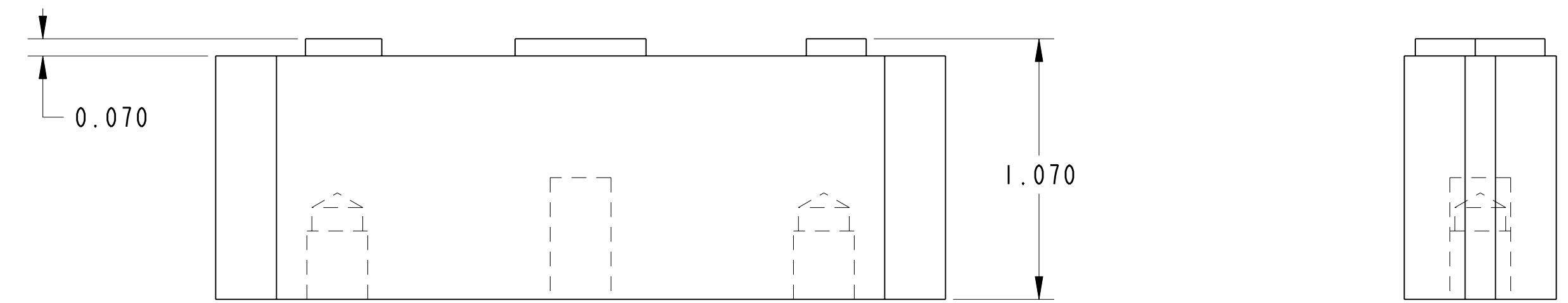
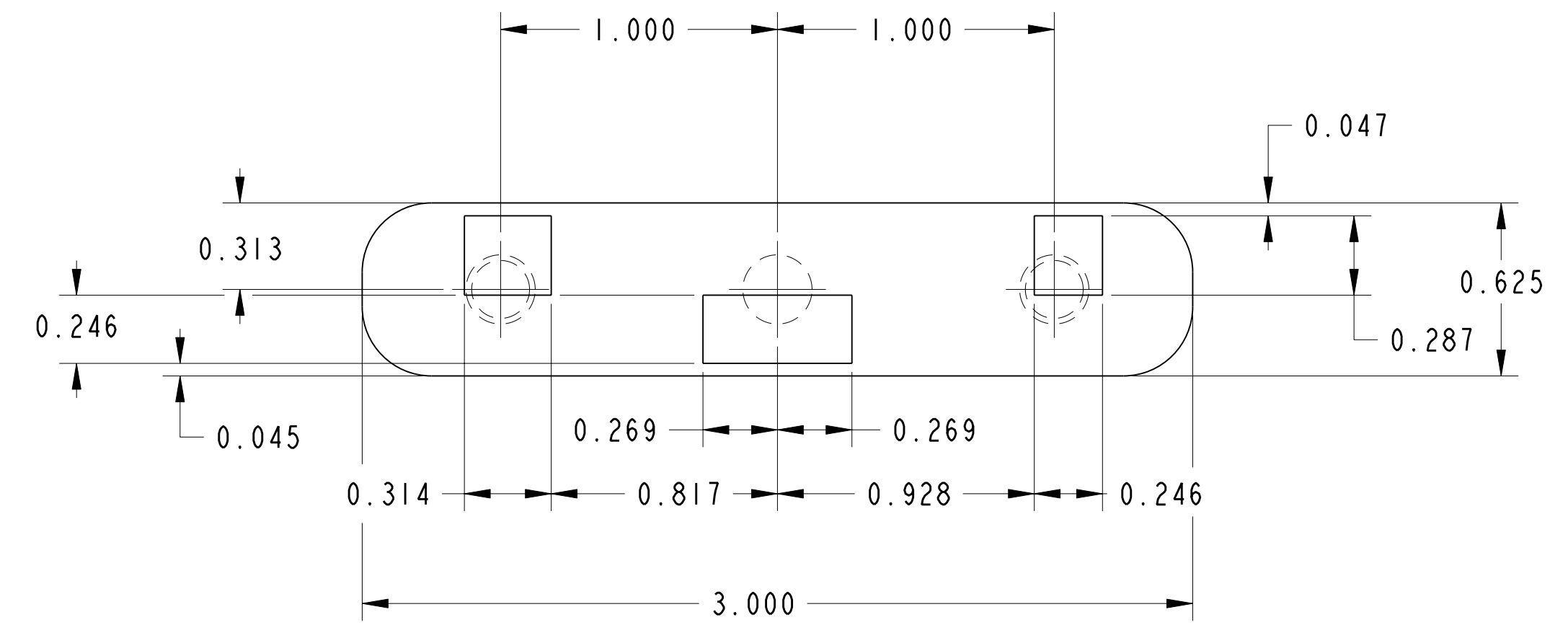
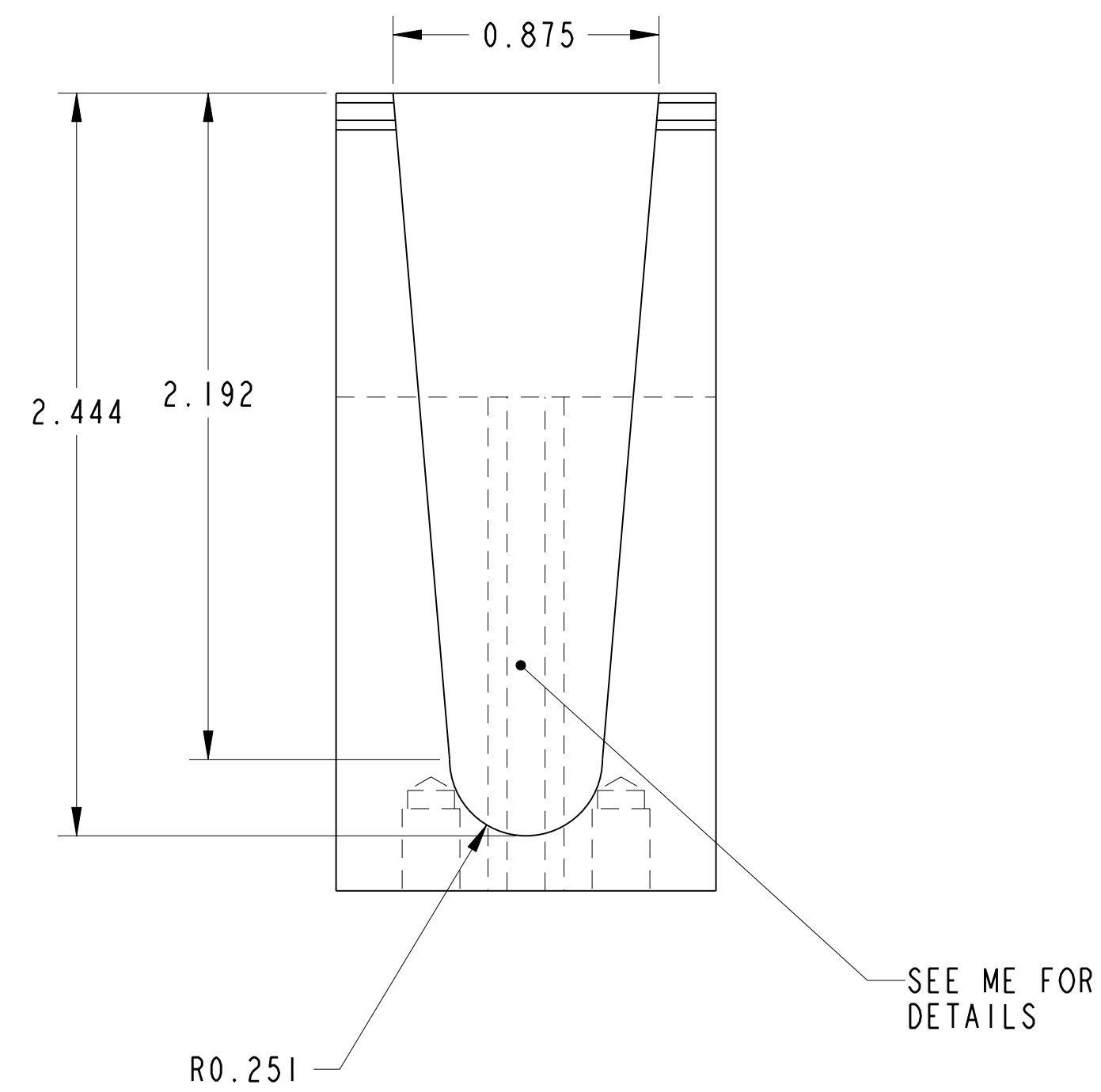
"B" INSERT #5
MAT'L: ALUMINUM
QTY: 1X



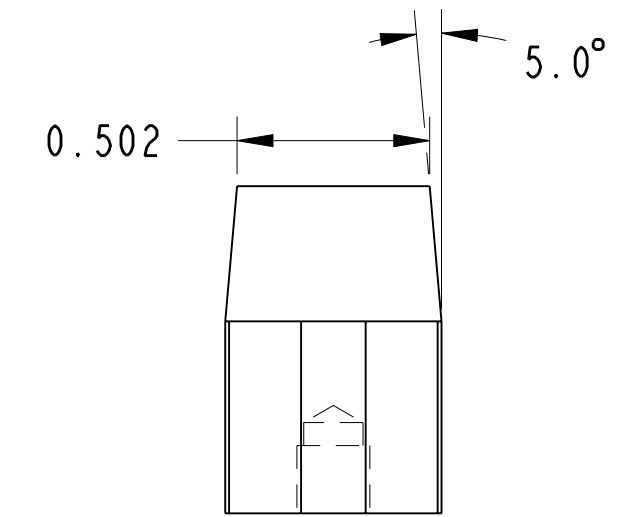
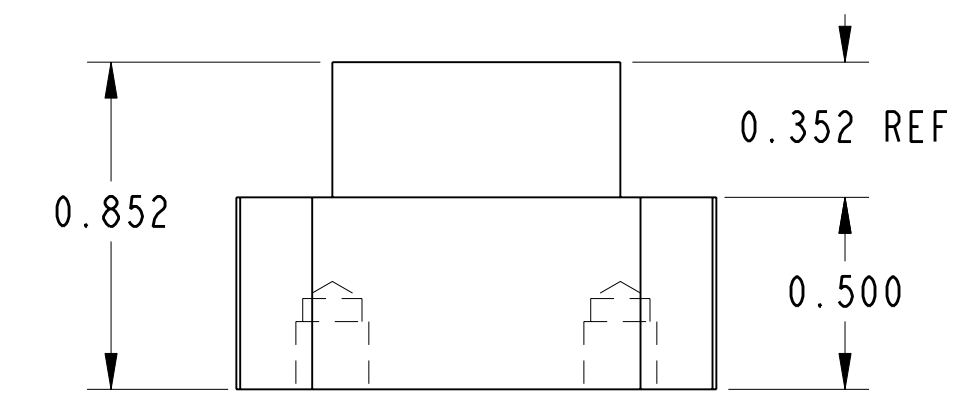
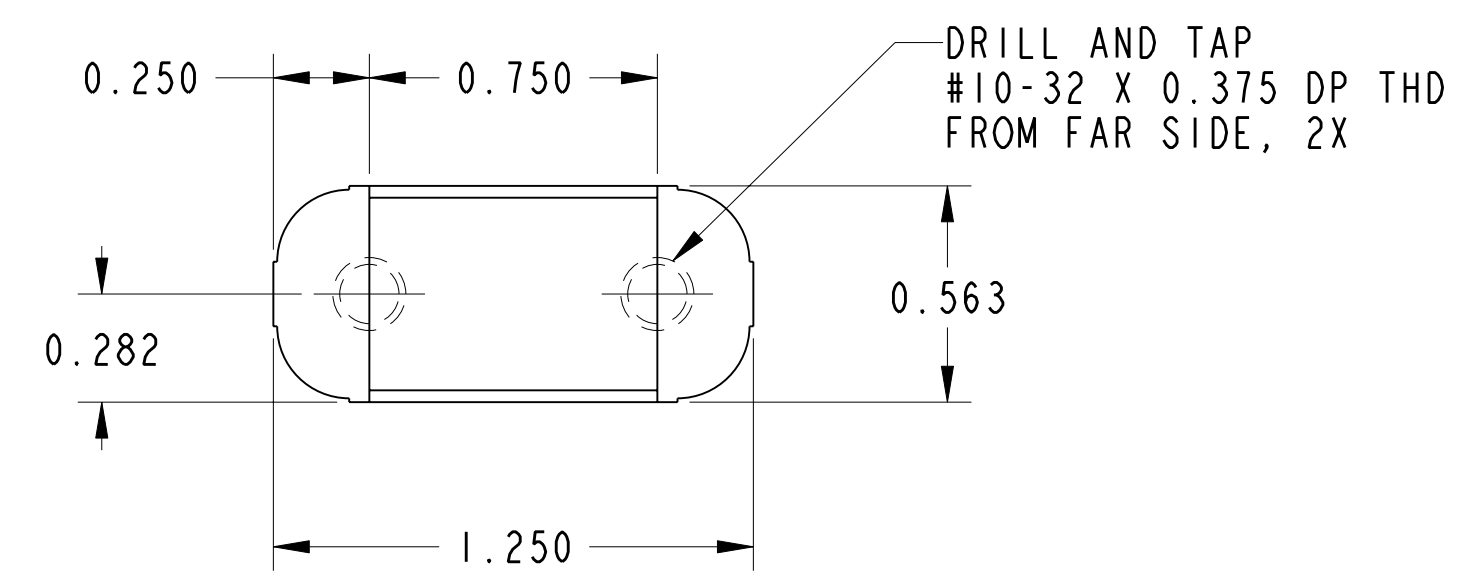


SECTION A-A

"B" INSERT #3
 MAT'L: ALUMINUM
 QTY: 1X

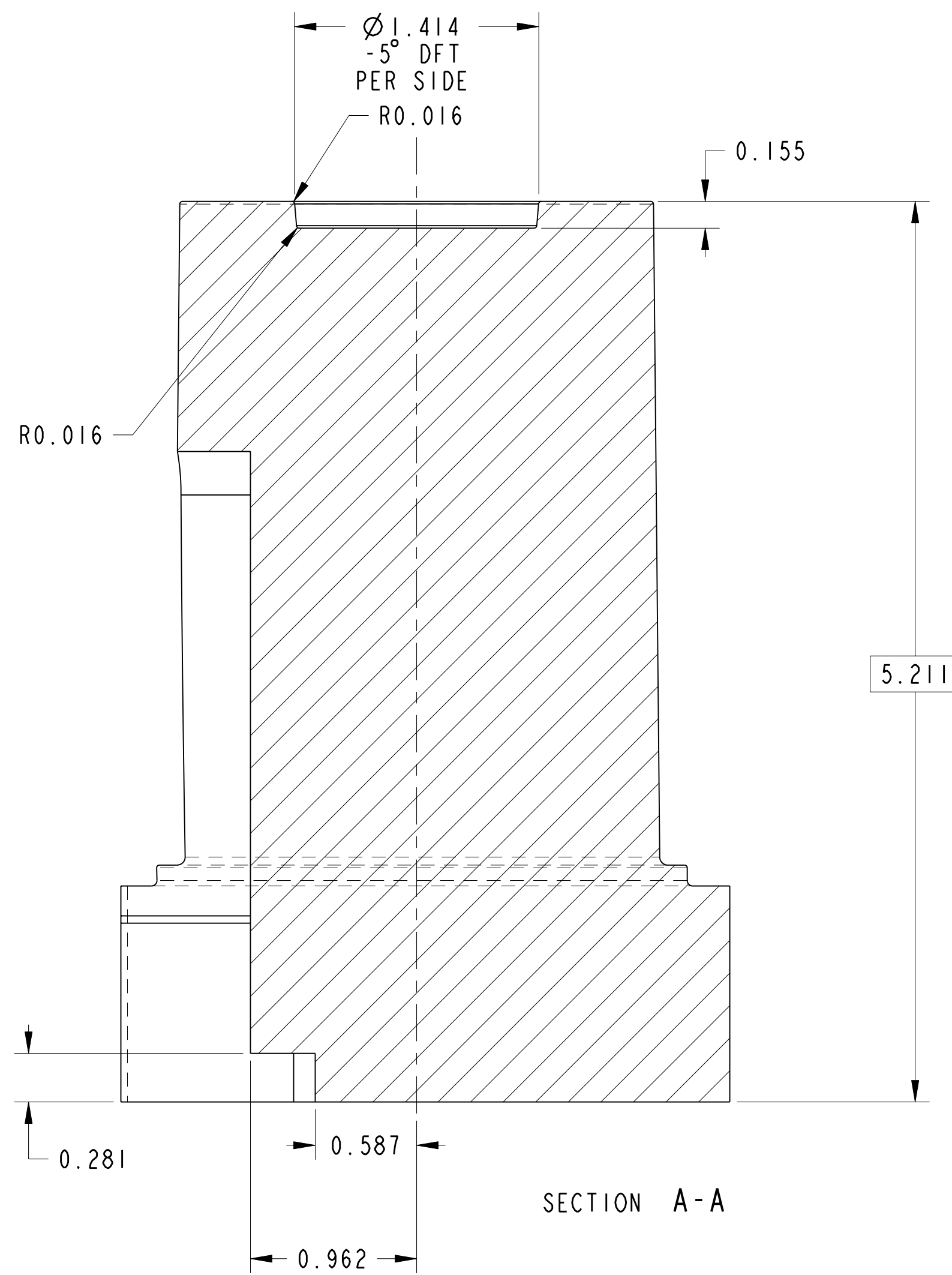
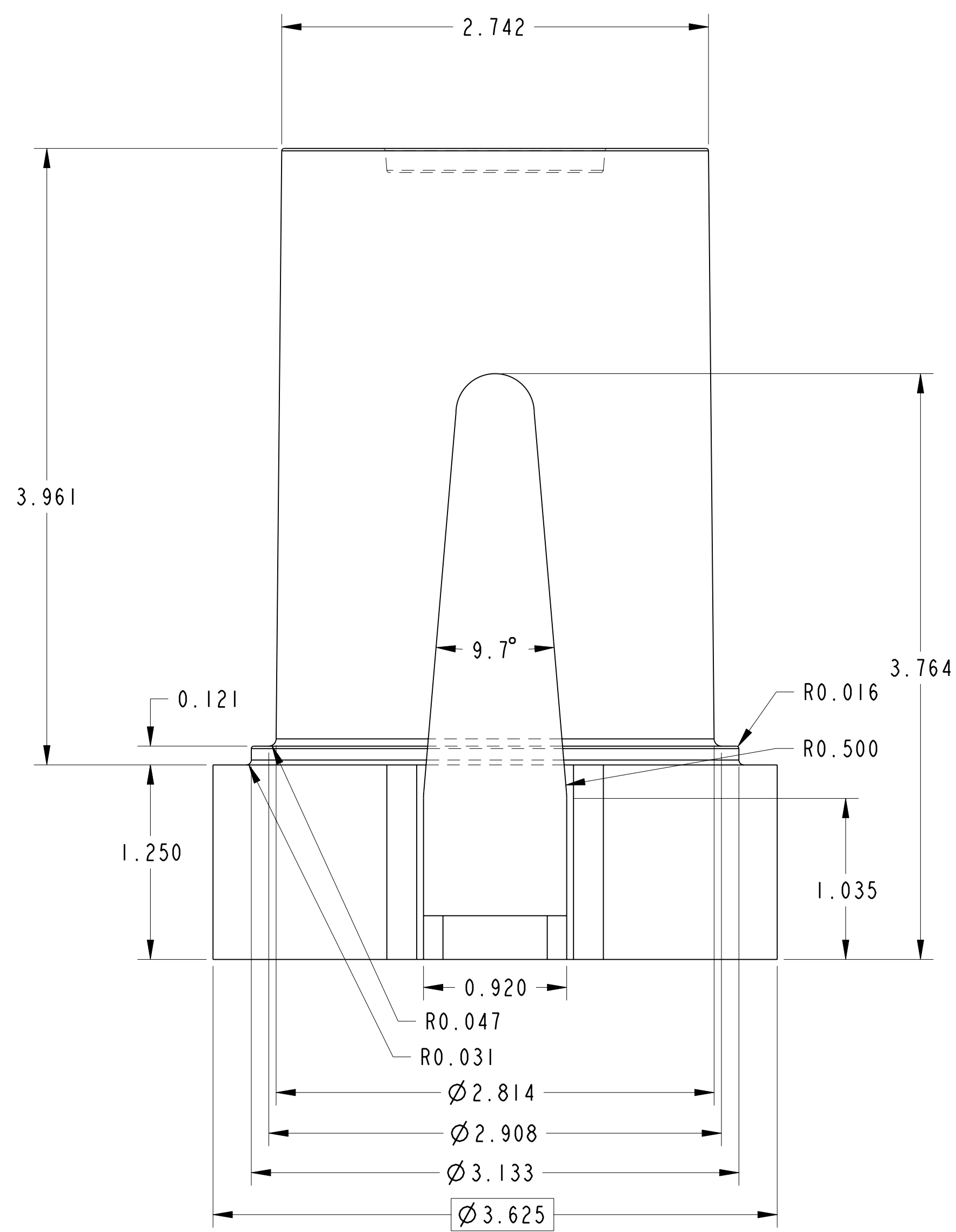
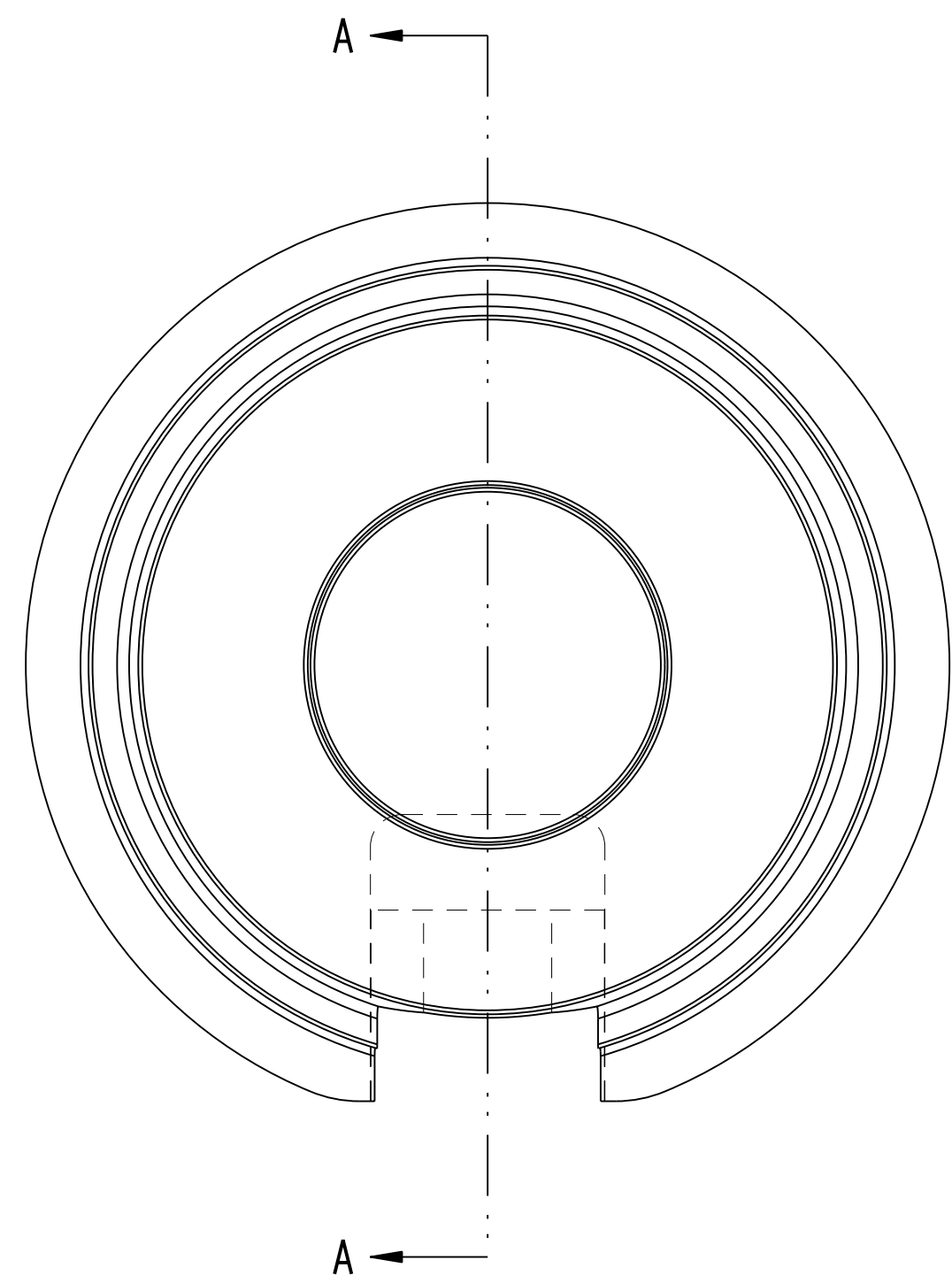


"B" INSERT #4
 MAT'L: ALUMINUM
 QTY: 1X

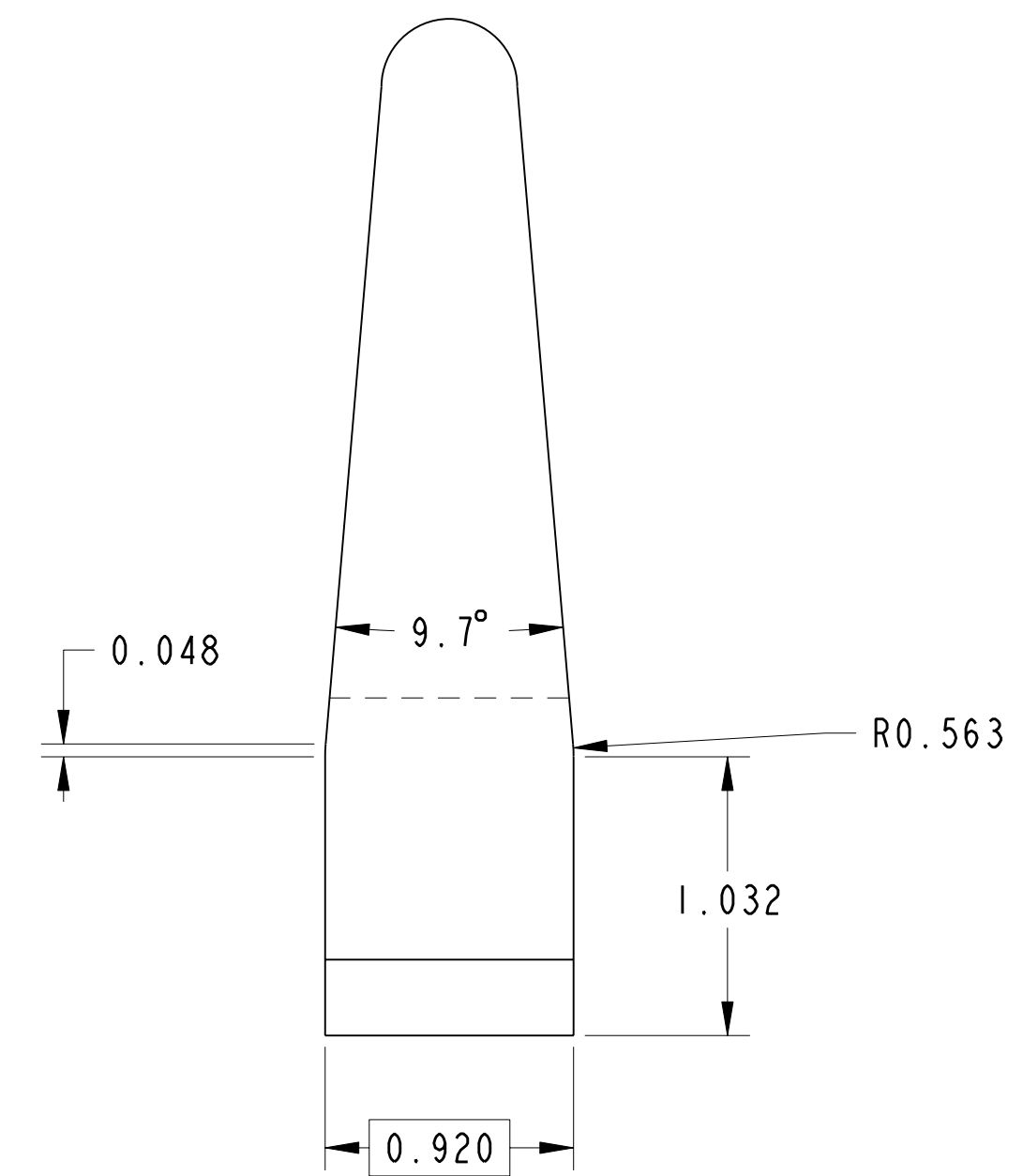
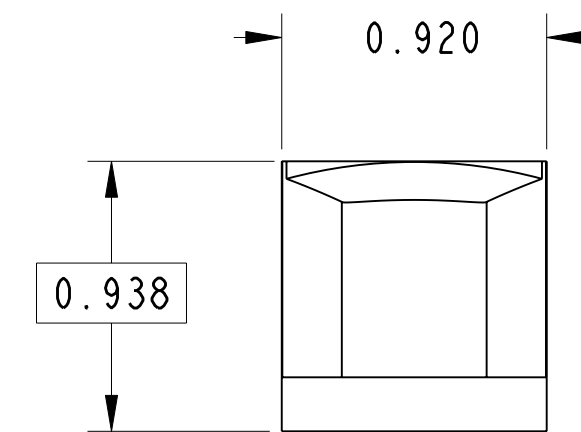


"B" INSERT #6
 MAT'L: ALUMINUM
 QTY: 2X

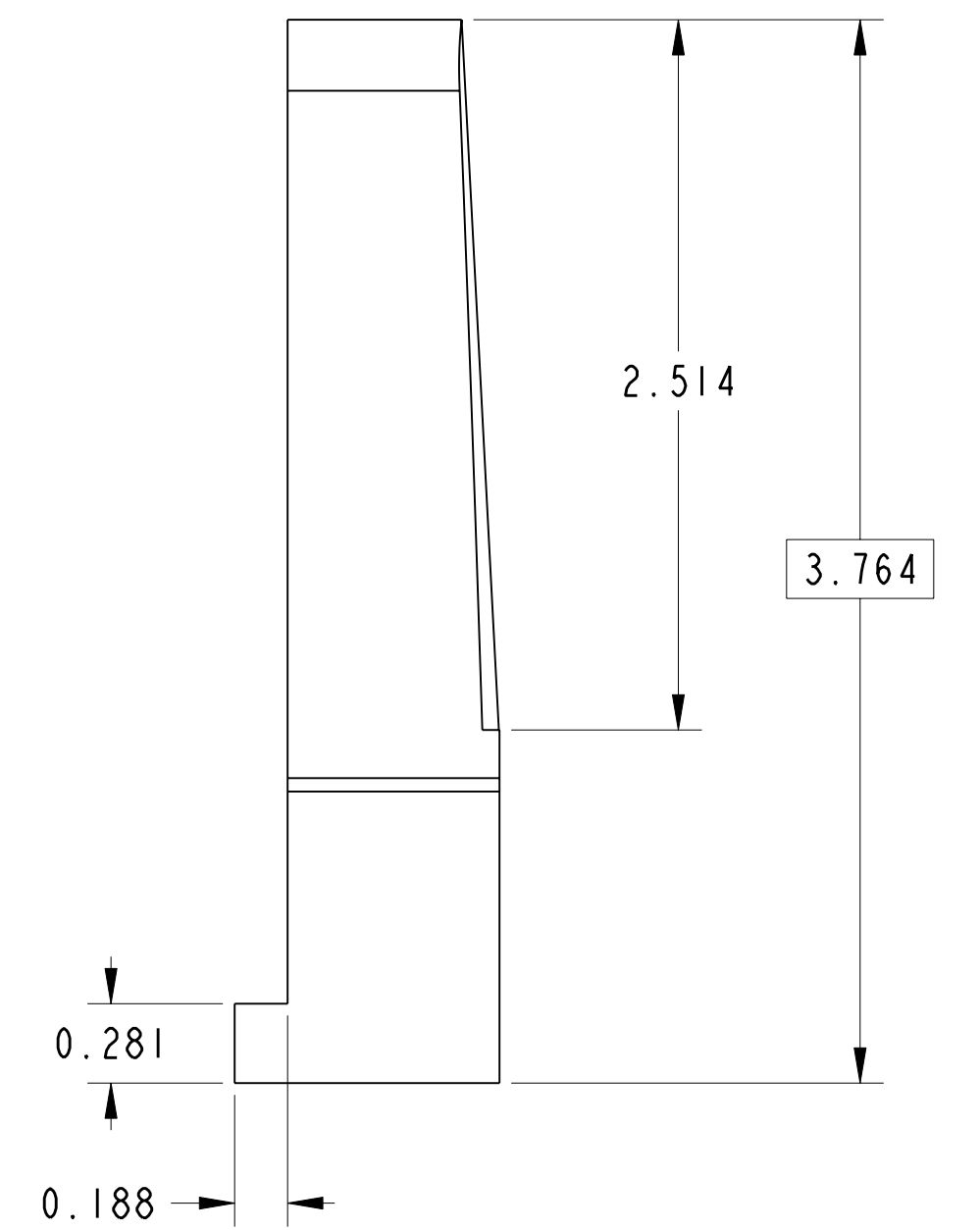


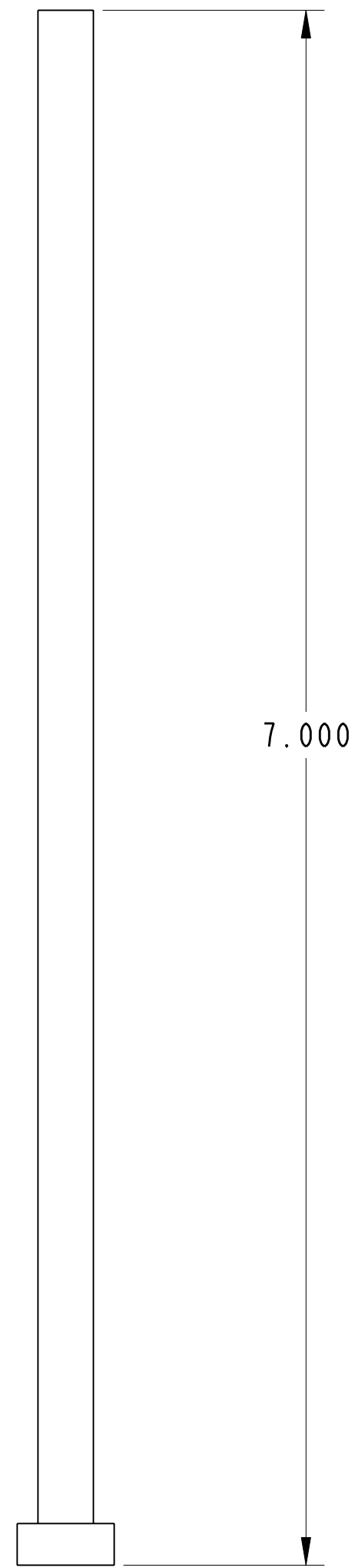


"A" INSERT #1
 MAT'L: ALUMINUM
 QTY: 1X

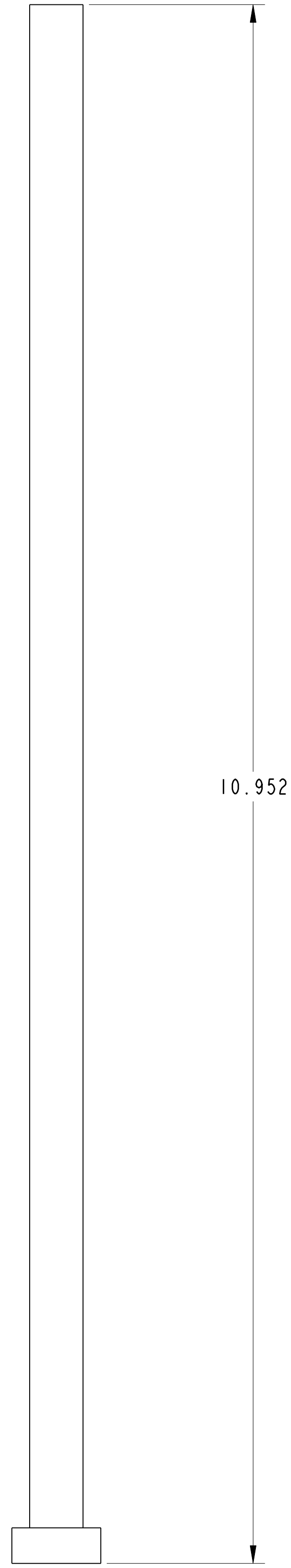


"A" INSERT #2
 MAT'L: ALUMINUM
 QTY: 1X

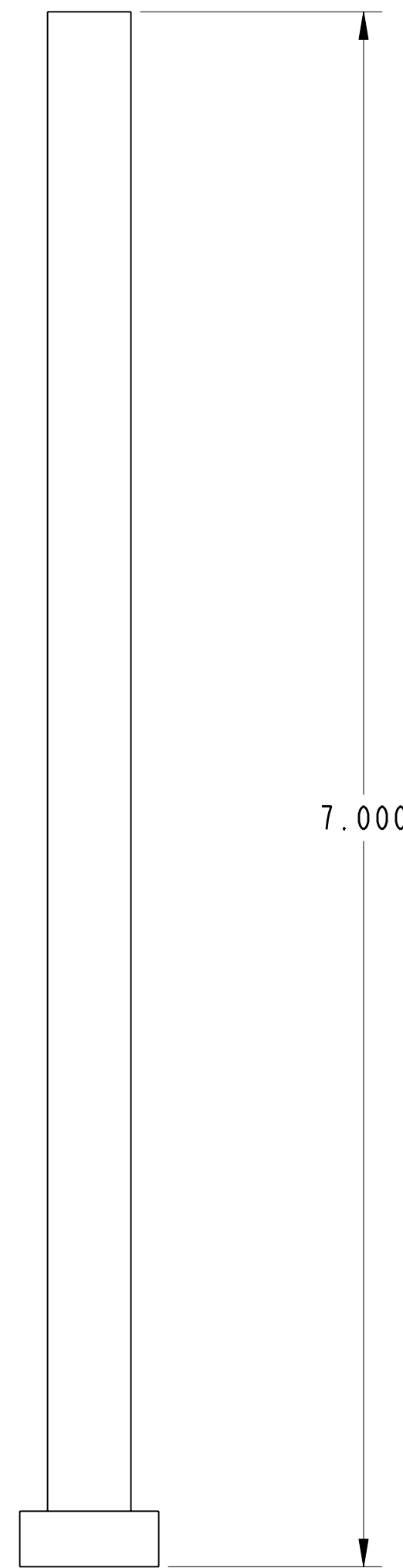




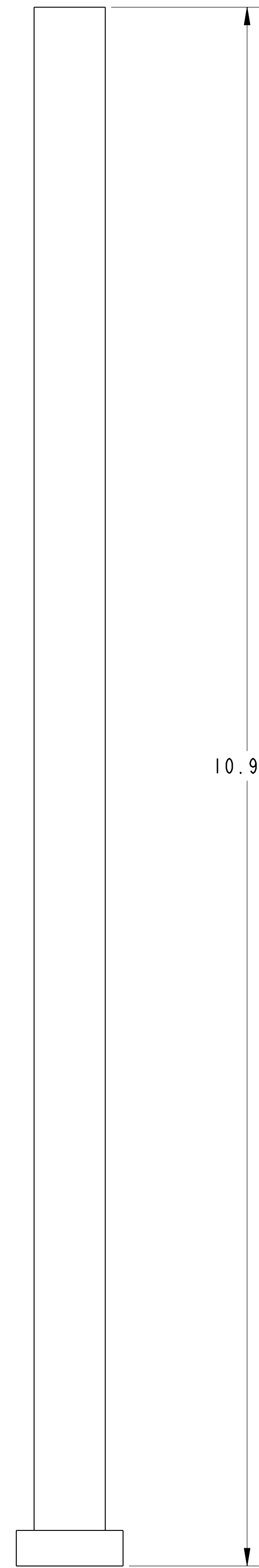
1/4 EJECTOR PIN
 DME # EX25M14
 QTY: 2X



3/8 EJECTOR PIN
 DME # EX25M14
 QTY: 2X



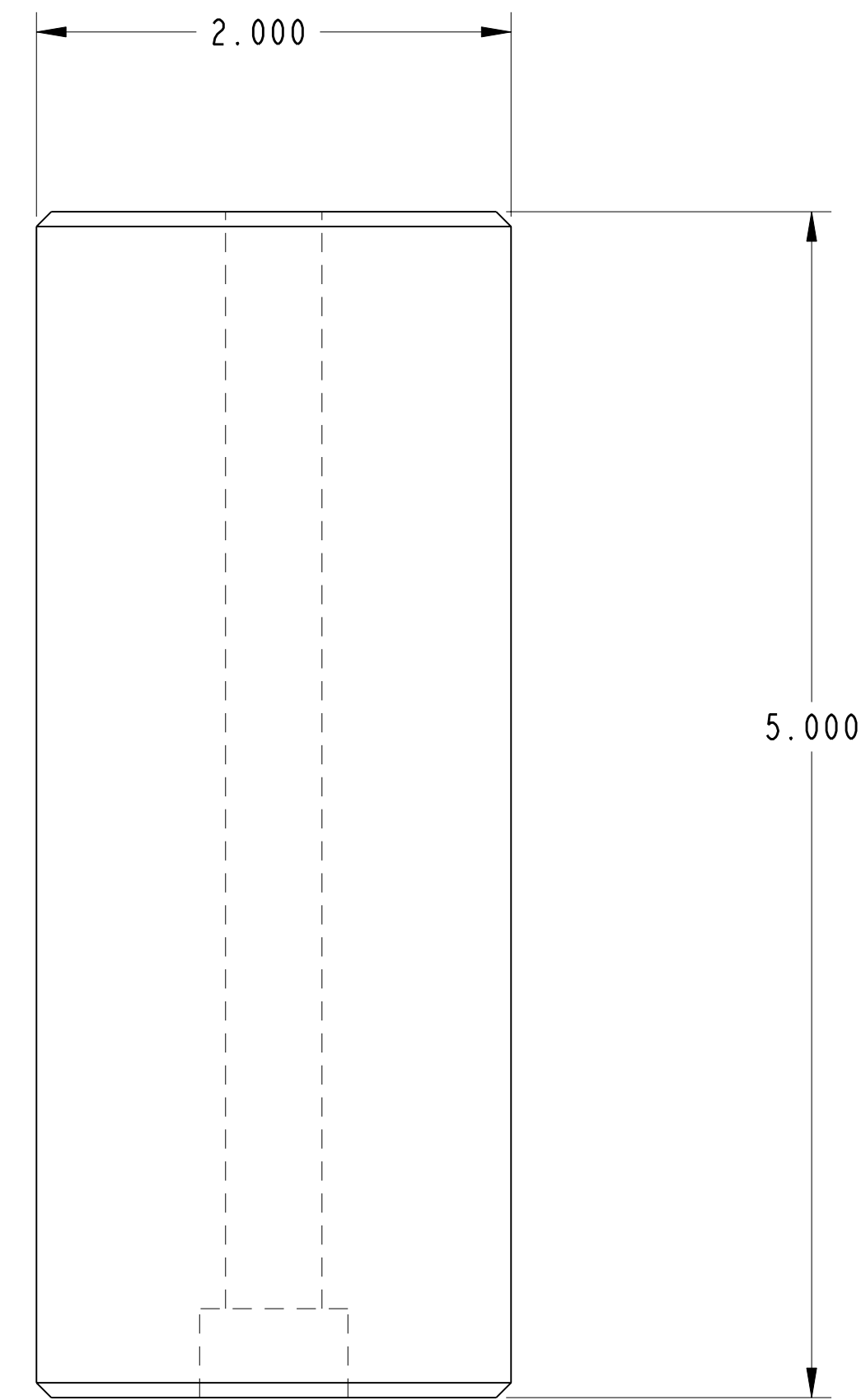
3/8 EJECTOR PIN
 DME # EX25M14
 QTY: 1X



1/2 EJECTOR PIN
 DME # EX33M14
 QTY: 6X



3/4 EJECTOR PIN
 DME # EX41M10
 QTY: 2X



SUPPORT PILLAR
 MAT'L: 1018
 QTY: 8X